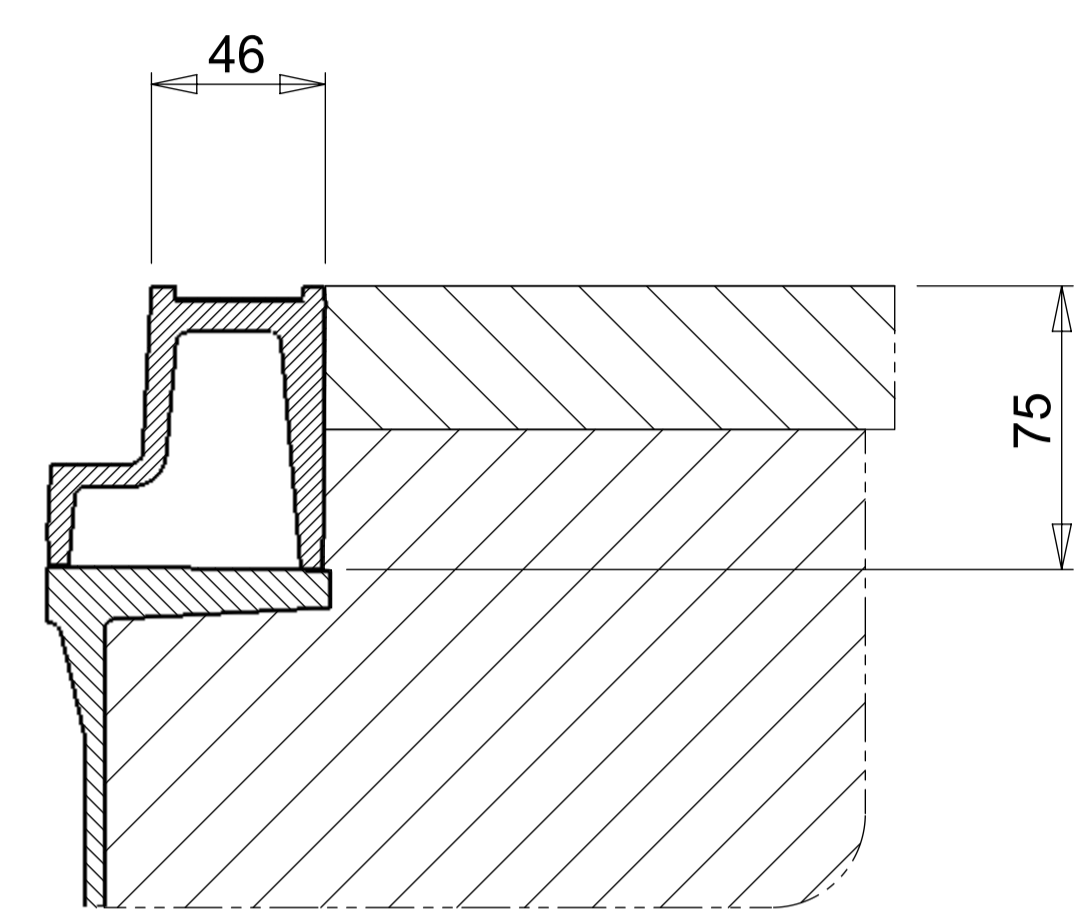
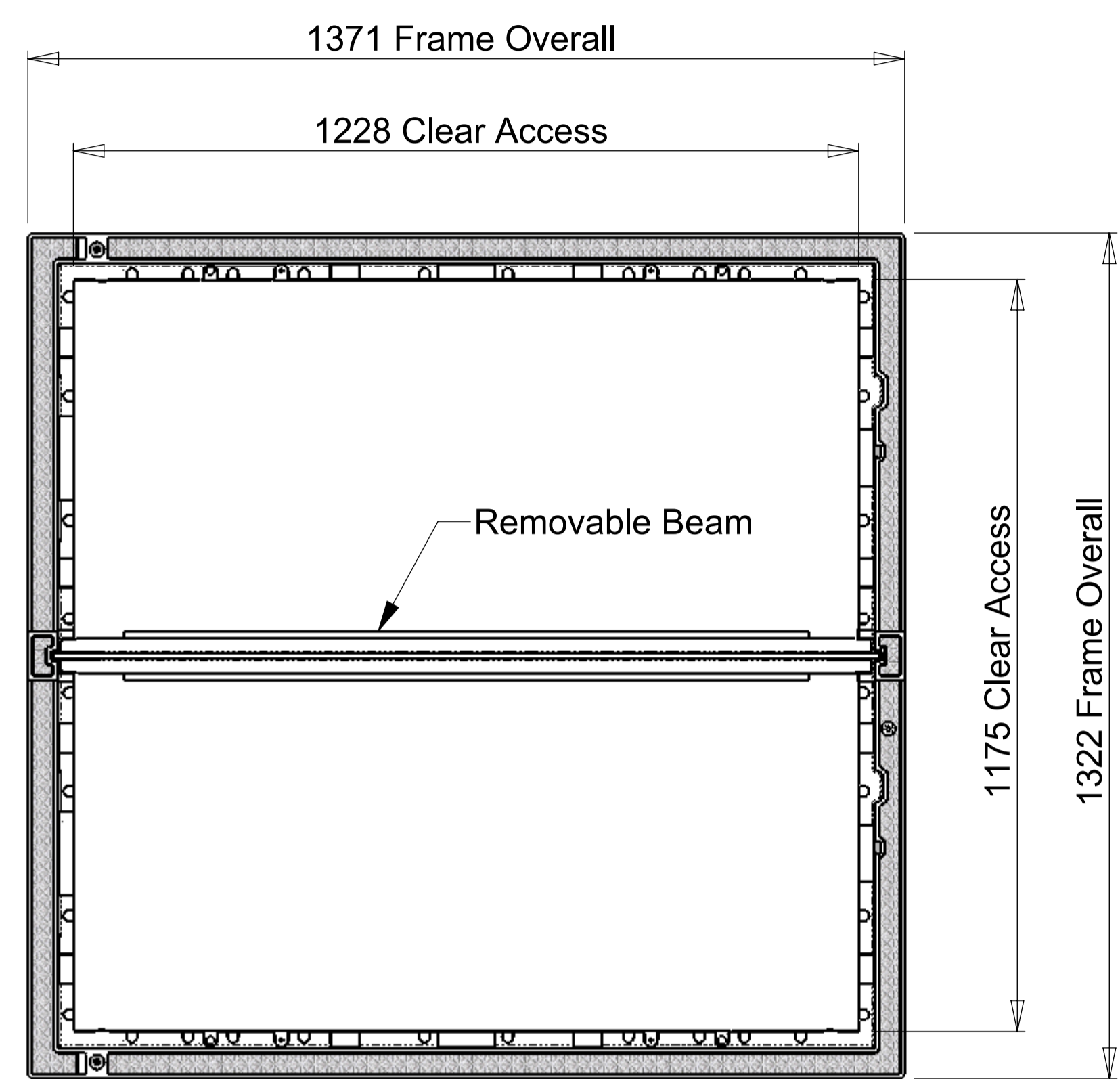
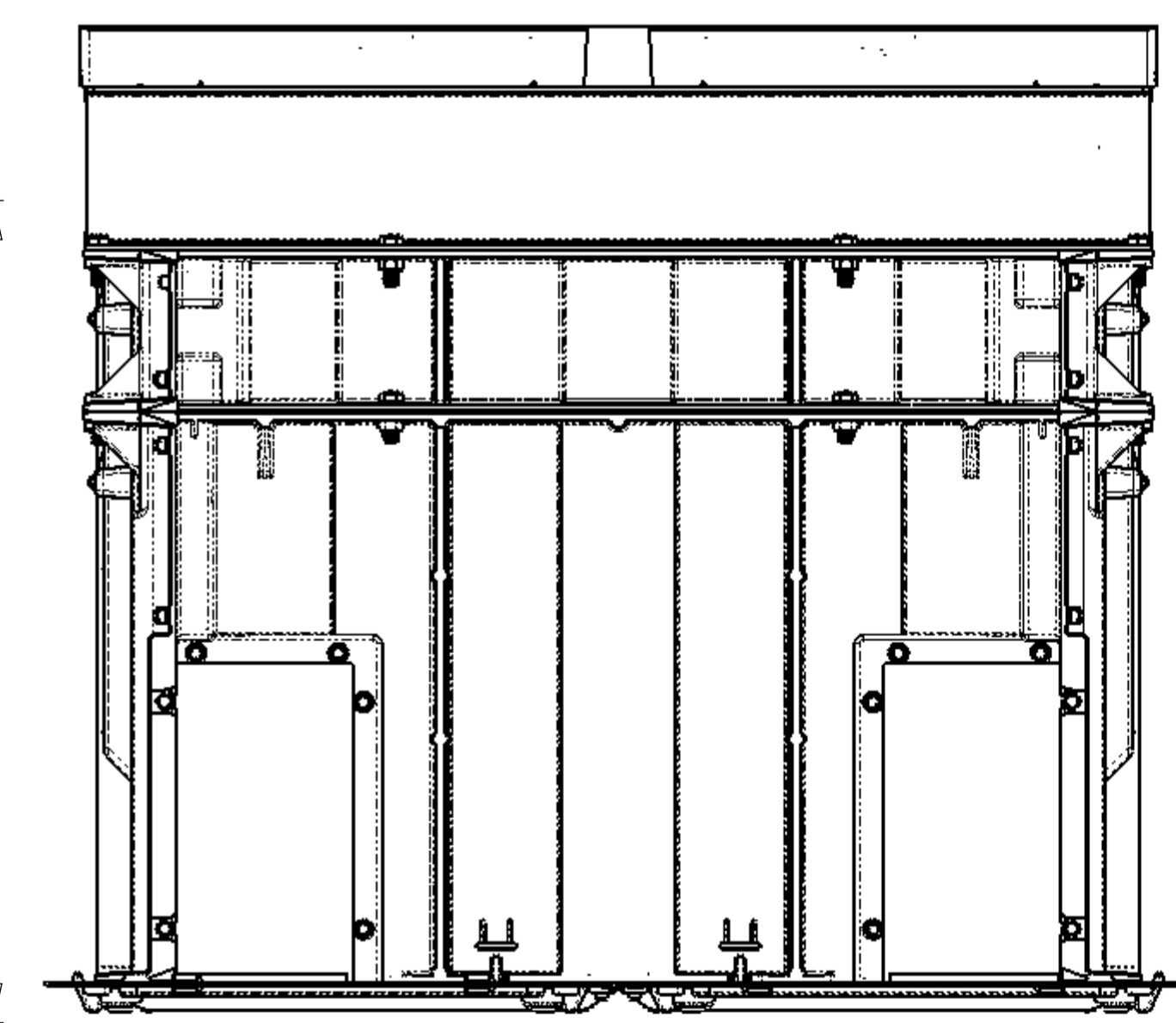
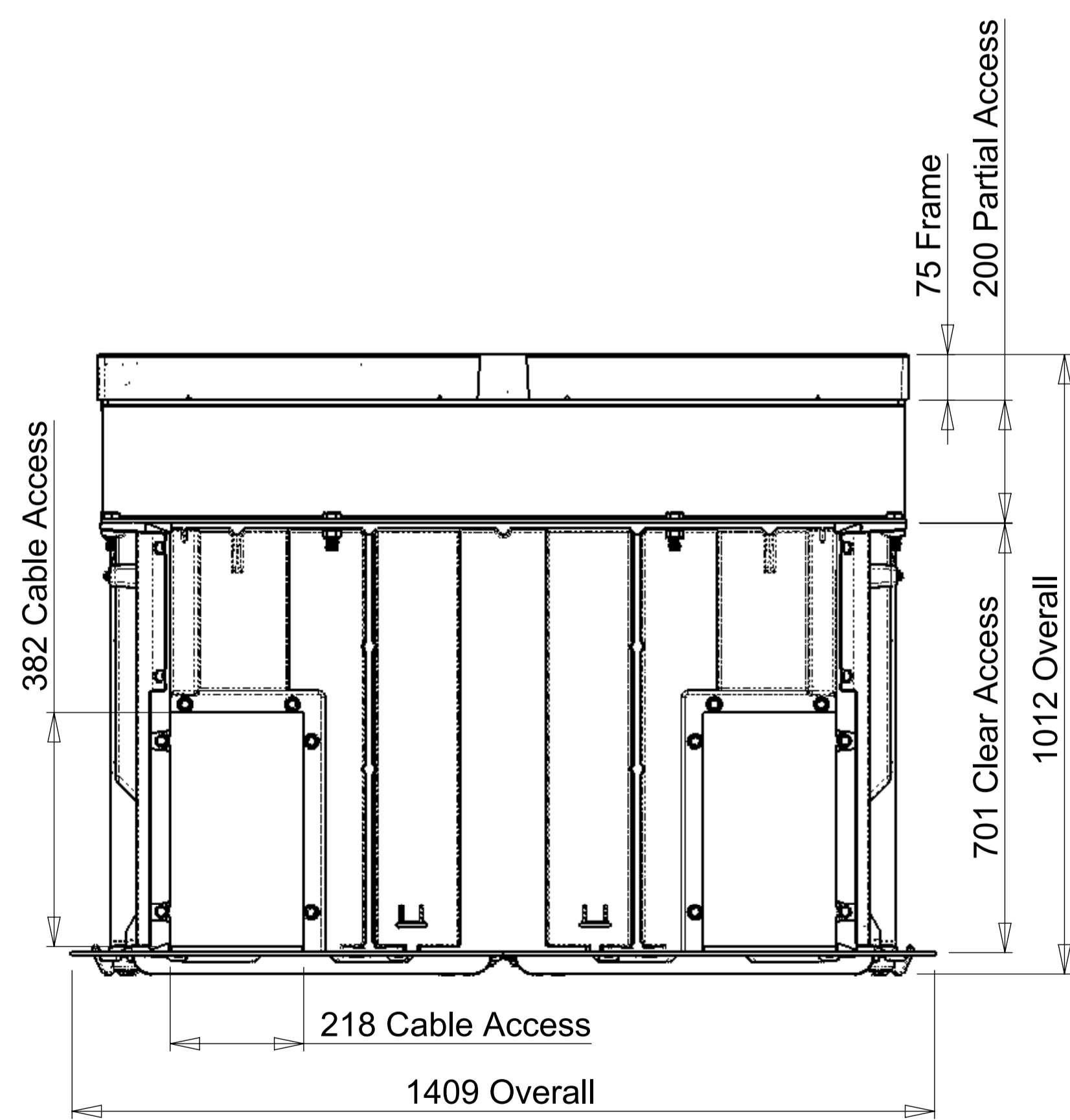
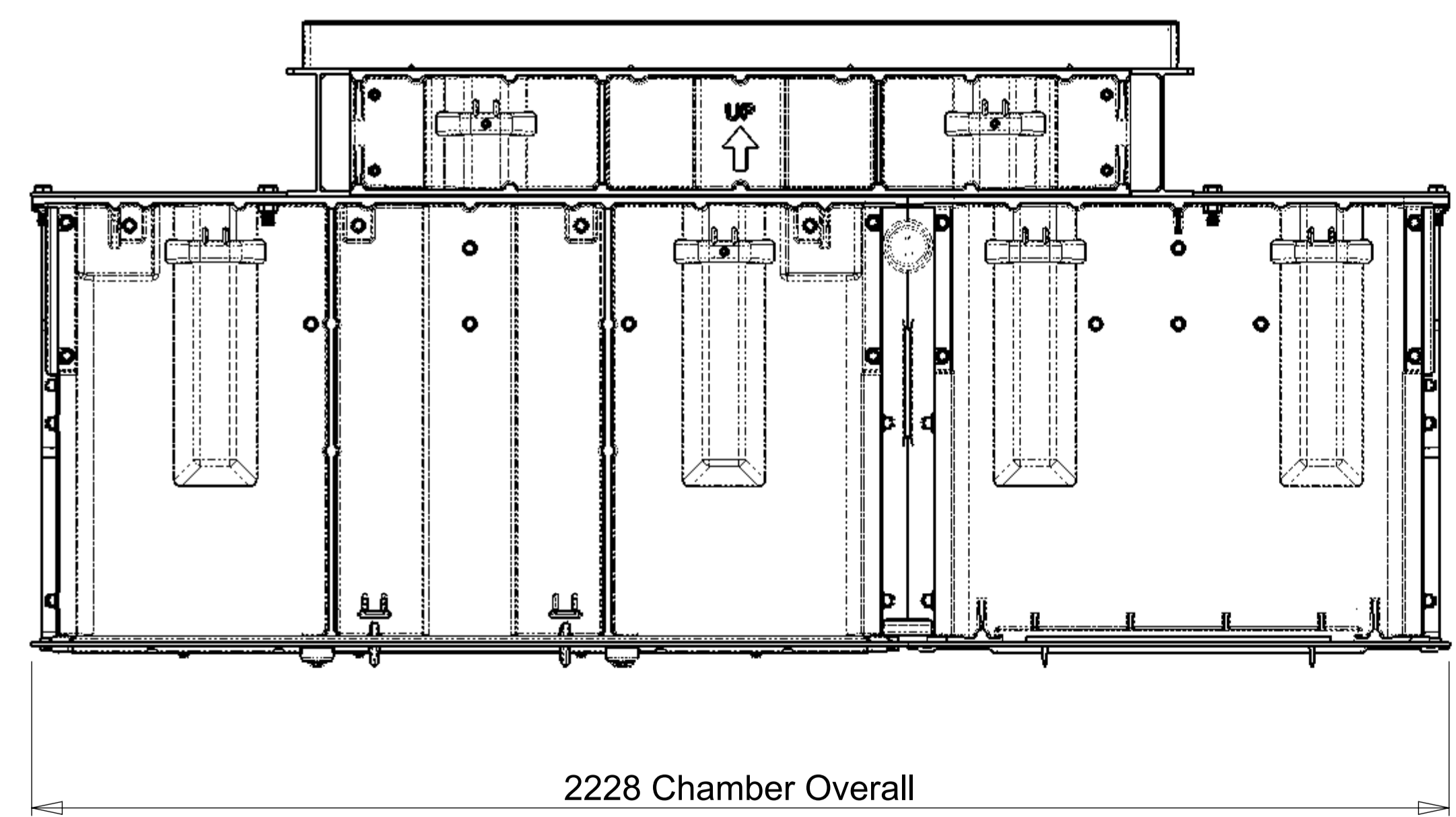


Issue:	Issued By:	Or No:	Appvd By:	Date:
A	db			11-02-15
Released For Information				



**Typical Installation**  
 Frame Supported By  
 Chamber / Extension Flange



CLIENT

PROJECT:  
**Aluminium Security  
 Access Cover Set &  
 Chamber Package**

To Class B 80kN Loads  
 To AS 3996 : 2006

TITLE:  
**B080kN  
 Chamber Package  
 2100 x 1200 x 700H  
 Partial Access  
 Plus Chamber Extension  
 Option  
 2100 x 1200 x 200H**



PO Box 58-491, Greenmount  
 Auckland, New Zealand.  
 Phone: +64 09 274 5929  
 Fax: +64 09 273 9509  
 Email: info@sikatech.co.nz  
 Website: www.sikatech.co.nz  
 COPYRIGHT RESERVED ©

THIS INFORMATION IS HIGHLY CONFIDENTIAL  
 & IS THE EXCLUSIVE PROPERTY OF  
 SIKA TECHNOLOGY LIMITED.

Unless Specified:  
 All Dimensions In Millimeters  
 Drawn to AS 1100

Drawn By:	db	Date:	11-02-15
Engineer:	DH	Date:	11-02-15
Checked By:		Date:	
Approved By:		Date:	

Drg Size: A1 Sht: 1 Iss:  
 SCALE At A1: 1:8 Of: 1 A

Drg No:  
**B080-4C08-2112-P-S01**

Extensions Available Separately