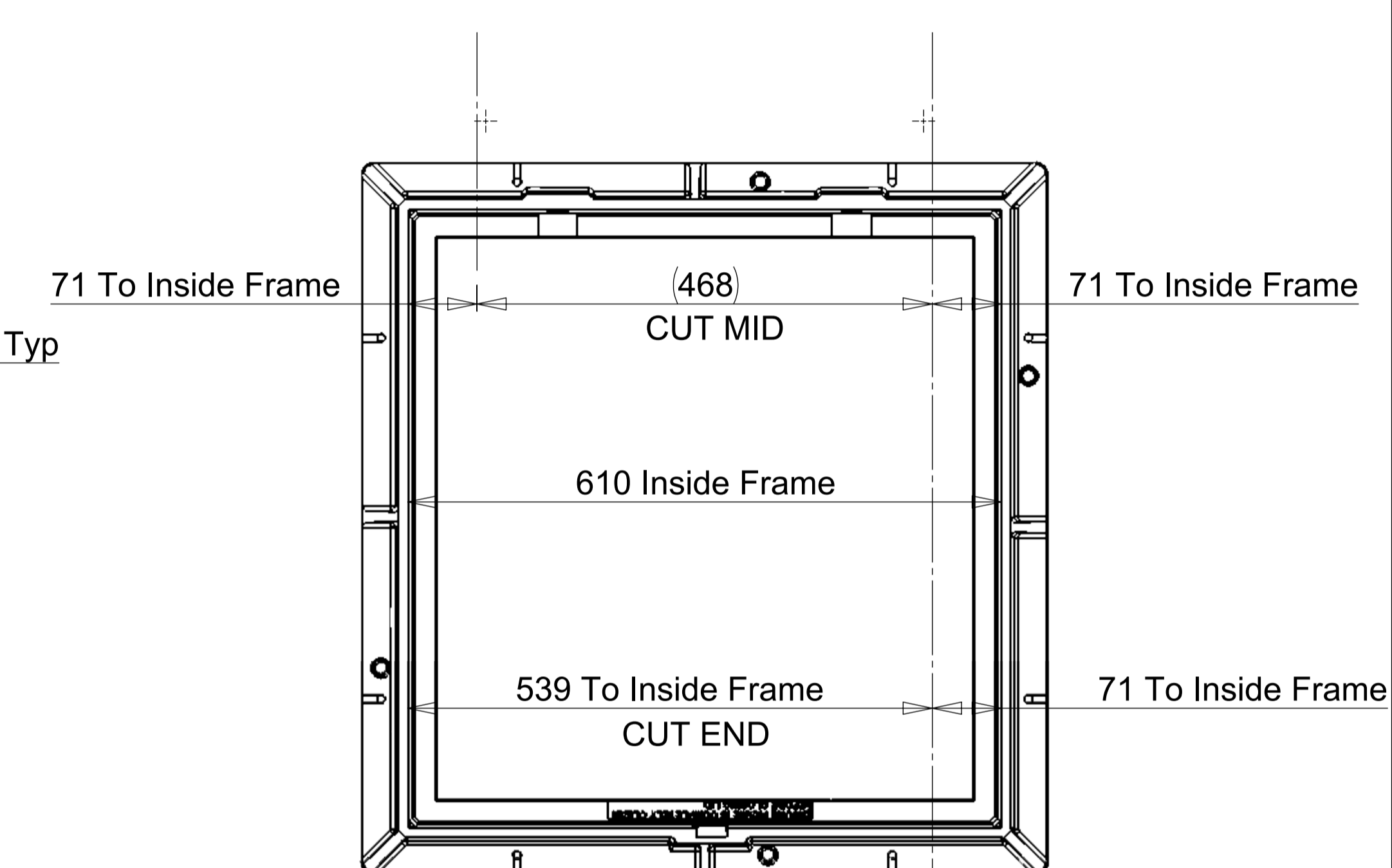
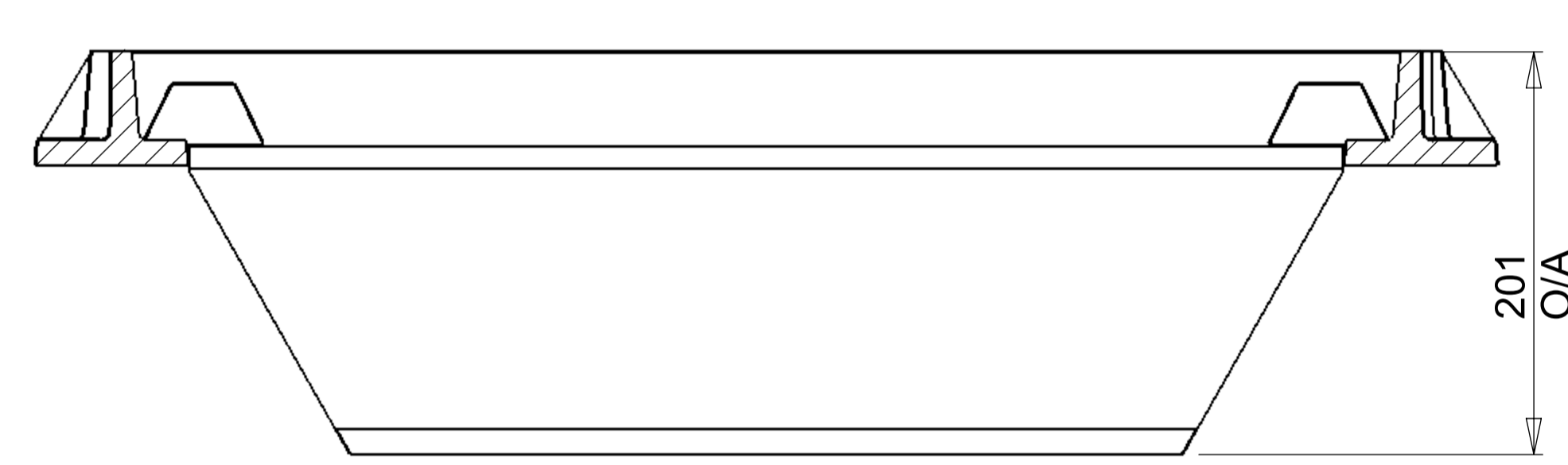


SECTION A-A

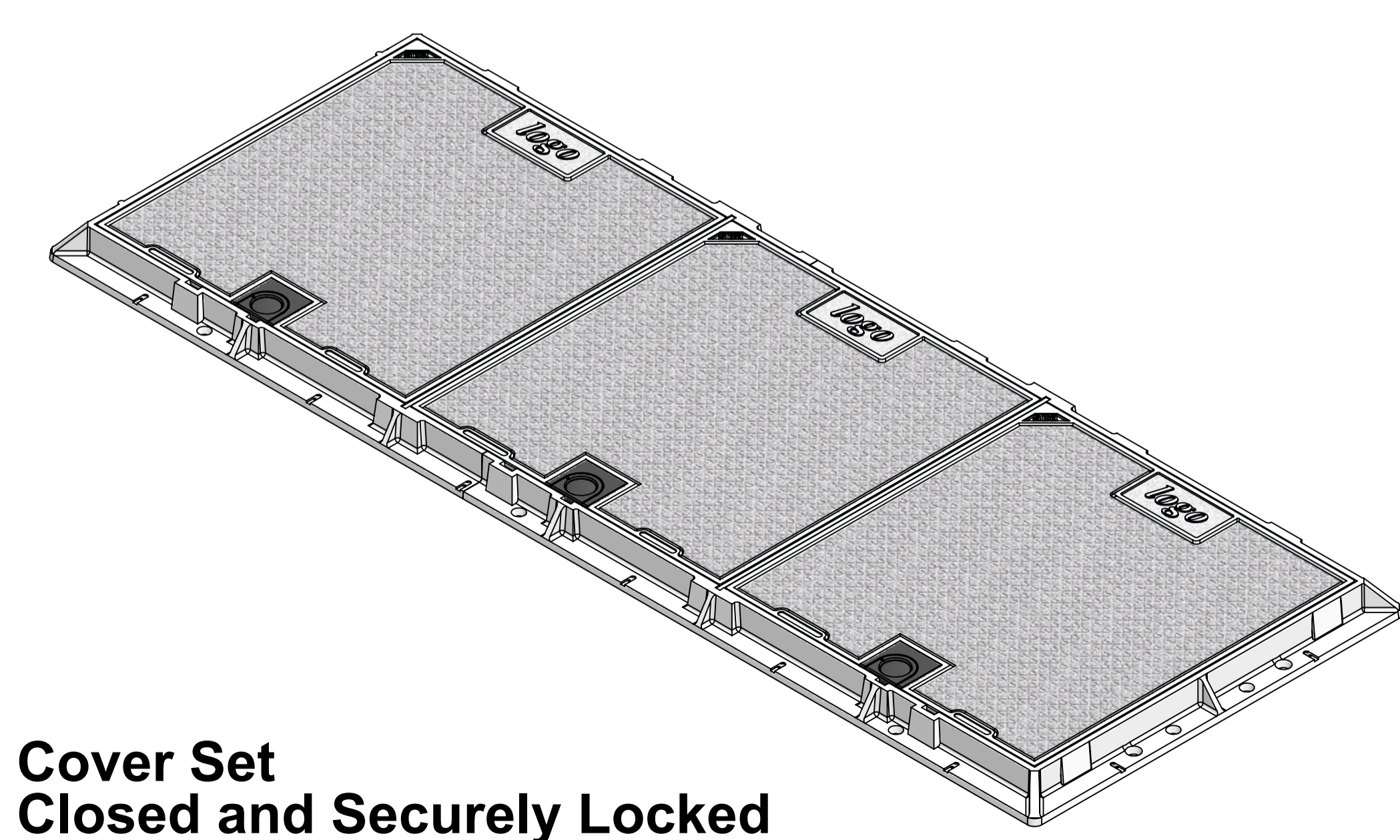
COVER



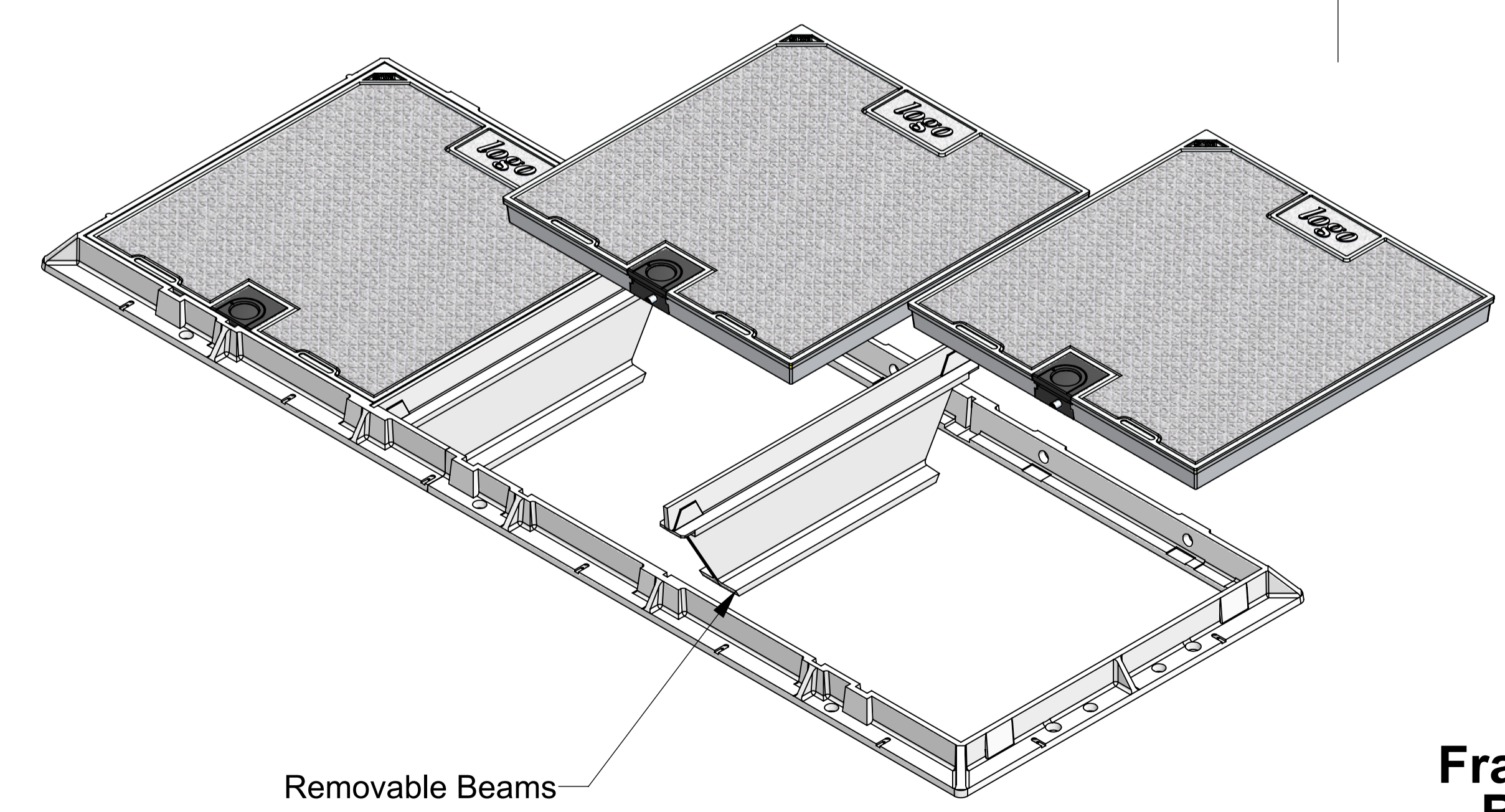
FRAME



SECTION B-B  
BEAM  
SCALE 1 : 3



Cover Set  
Closed and Securely Locked



Removable Beams

**Masses:**  
**Frame 21Kg**  
**Beam 6Kg**  
**Cover Assy 16Kg**

Issue:	Issued By:	Or No:	Appvd By:	Date:
A	sfc			17/02/2021
Released For Information				
CLIENT				
PROJECT: <b>Aluminium Security Access Cover Set Lock Block 600 x 1800</b>				
<b>To Class B080kN Loads To AS 3996 : 2006</b>				
TITLE: <b>Lock Block Cover Set 600 x 1800 Solid Top</b>				
PO Box 58-491, Greenmount Auckland, New Zealand. Phone: +64 +9 274 5929 Fax: +64 +9 273 9509 Email: info@sikatech.co.nz Website: www.sikatech.co.nz COPYRIGHT RESERVED ©				
THIS INFORMATION IS HIGHLY CONFIDENTIAL & IS THE EXCLUSIVE PROPERTY OF SIKA TECHNOLOGY LIMITED.				
Unless Specified: All Dimensions In Millimeters Drawn to AS 1100				
Drawn By:	sfc	Date:	17/02/2021	
Engineer:	DH	Date:	17/02/2021	
Checked By:		Date:		
Approved By:		Date:		
Drg Size:	A1	Sht:	1	Iss:
SCALE At A1:	NTS	Of:	1	<b>A</b>
Drg No: <b>B080-403-0618-ST- A00</b>				