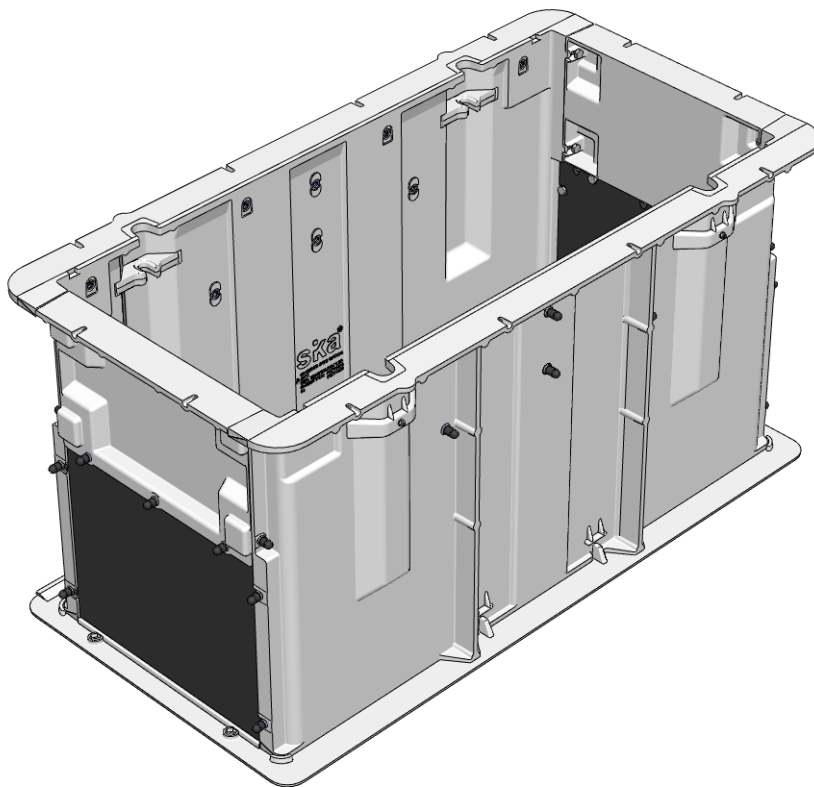




Modular Aluminium Jointing Chamber 1200 x 600 x 700 / 900H

ASSEMBLY INSTRUCTIONS

Chamber Rating: CLASS D - 210kN - AS3996:2006
Sika 'Chambers' are used for both Pathway & Roadway Installations



Chamber 1200 x 600 x 700H



1. Place the **chamber base** on a flat area adjoining the pit or on a prepared bed of imported material in the excavated pit. Note the “1200 x 600” script will be face up.

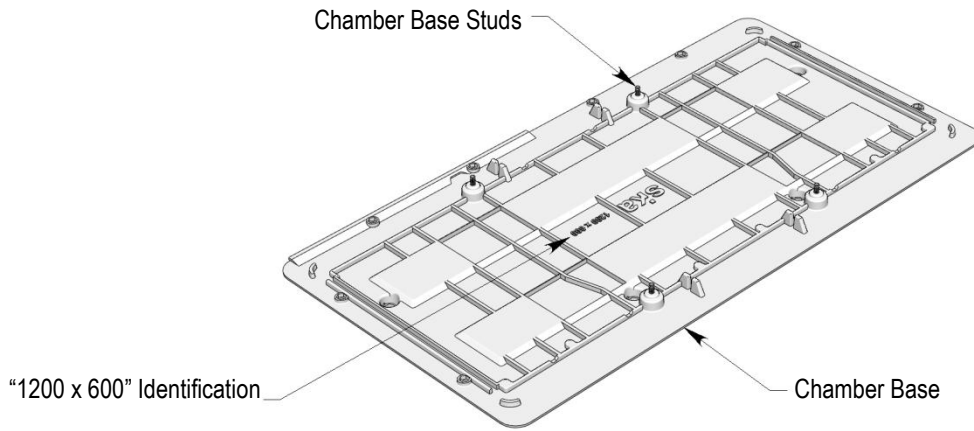


Fig 1

2. Where there is existing ducting and minimal side excavation is required use a **split base**. Ref Fig 2

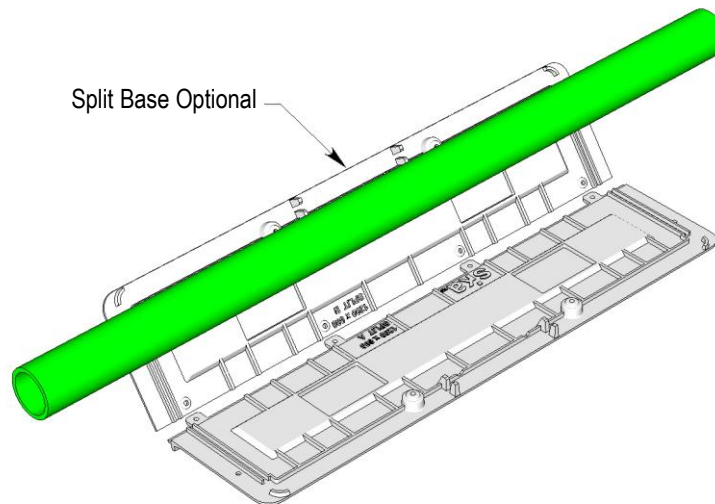
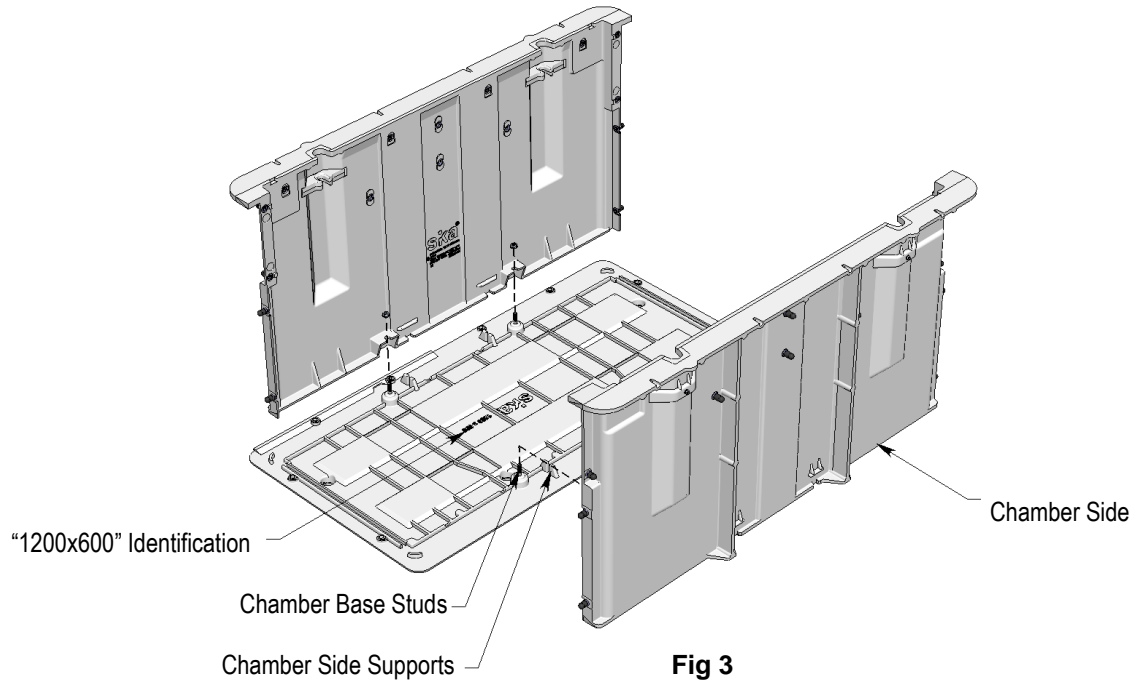


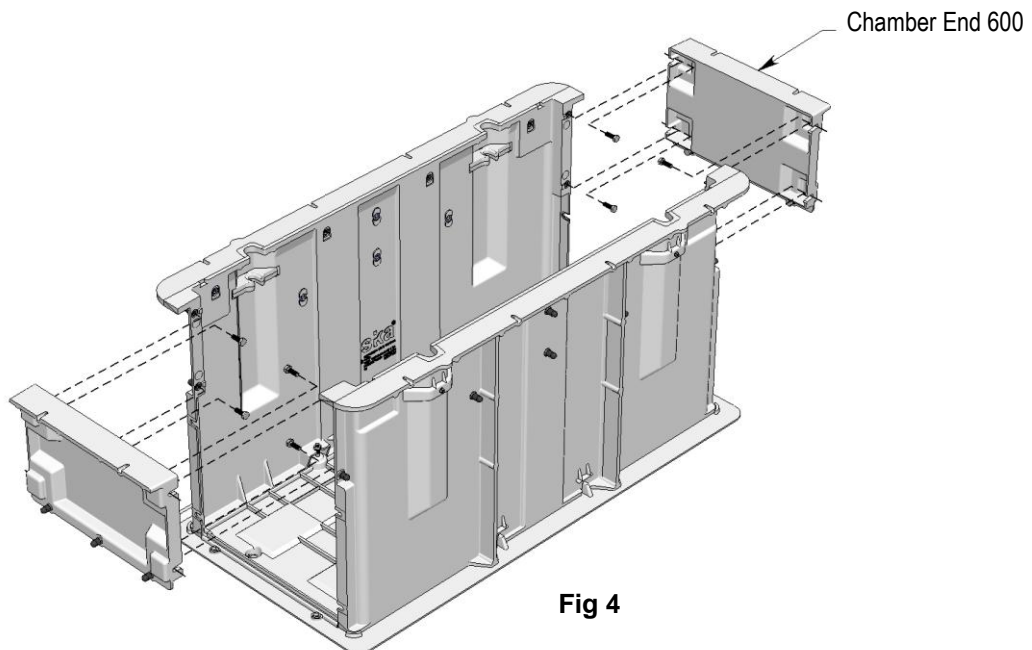
Fig 2

3. Remove the plastic tubes protecting the 4 – M10 studs protruding from the **chamber base** and place the two **chamber sides** into place.

Insert the two **chamber sides** into the appropriately marked positions on the **chamber base**. **Chamber side supports** cast into the **chamber base** will hold the **chamber sides** vertical until the 4 – M10 nuts and washers are applied to hold them down. *(Do not tighten these yet.)*



4. Add the two **chamber ends 600** and secure them with the 8 – M10 x 30 bolts and washers. *(Now tighten all the aforementioned fixings.)*



5. Apply the two polypropylene **duct entry panels** to each end recess and secure each one with 7 - M10 x 30 bolts and washers supplied.

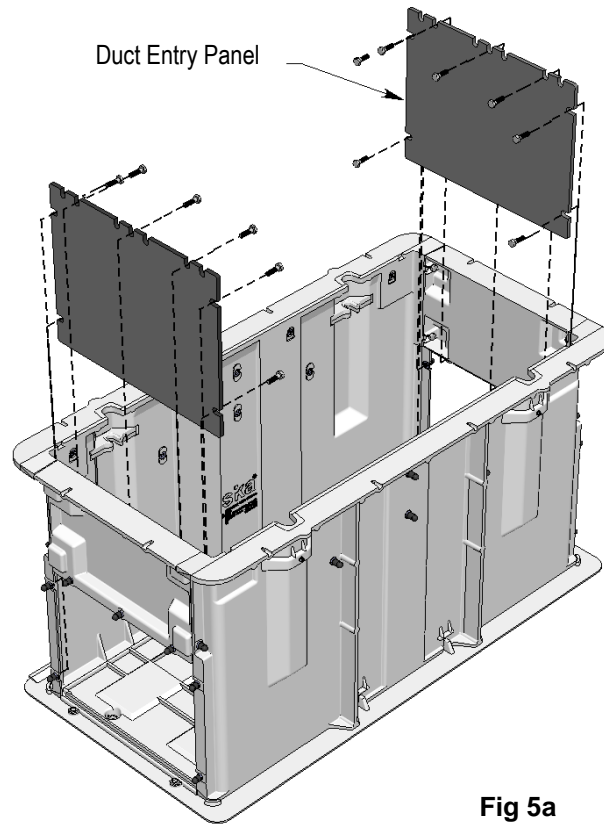


Fig 5a

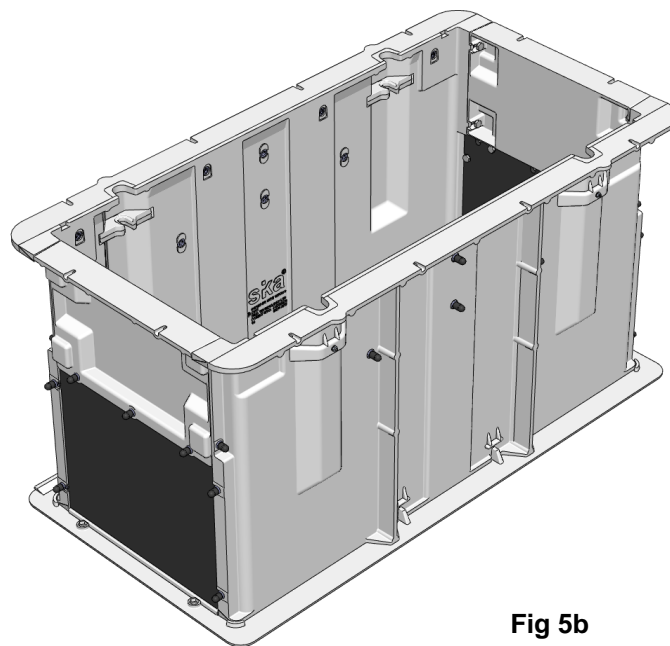


Fig 5b

Chamber 1200 x 600 x 700H

Chamber Extension 200mm

6. Assemble **chamber extension** as per Fig 6a using 8 - M10 x 30 bolts and washers supplied. Place on top of chamber flange. See arrows for right way up.

Chamber Extension
1200 x 600 x 200H

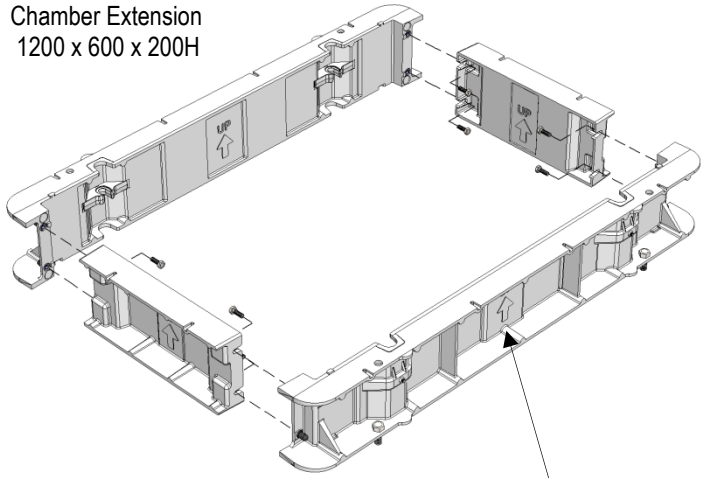
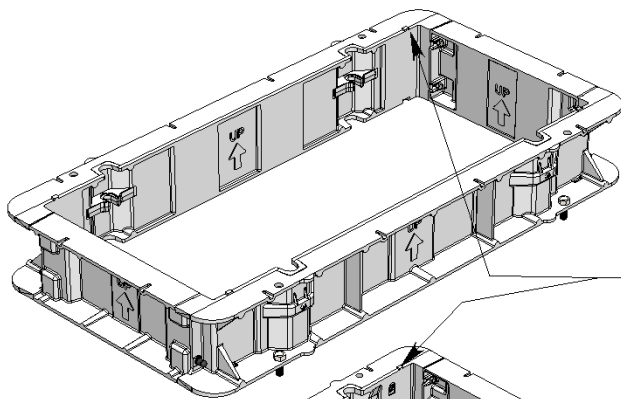


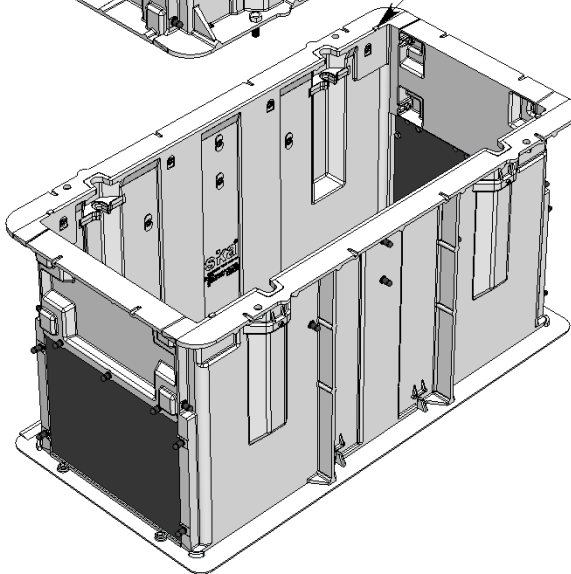
Fig 6a

Arrows



Chamber Extension
1200 x 600 x 200H

Locator Lug will Self Align Extension



Chamber 1200 x 600 x 700H

Fig 6b

Bolt assembled **chamber extension** to the chamber with the 4 – M16x40 bolts, nuts and spring washers supplied.

Chamber 1200 x 600 x 700H
& Extension 1200 x 600 x 200H

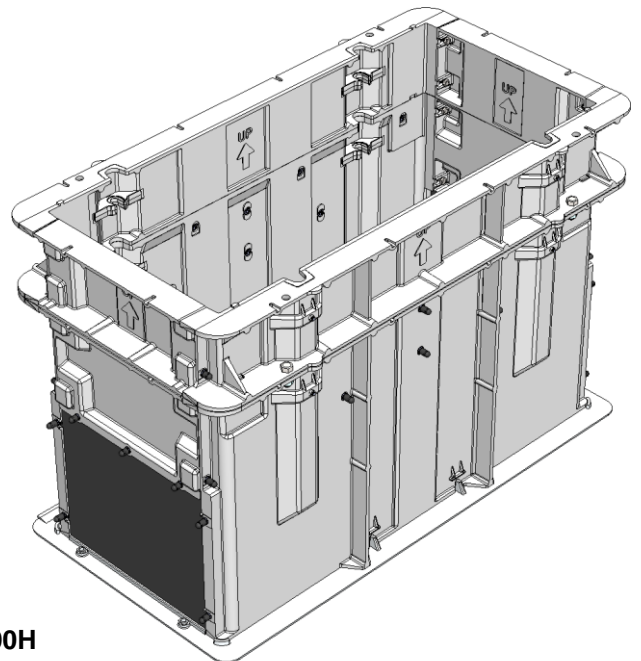


Fig 6c

Chamber Accessories

Cable Support & Protection Options

