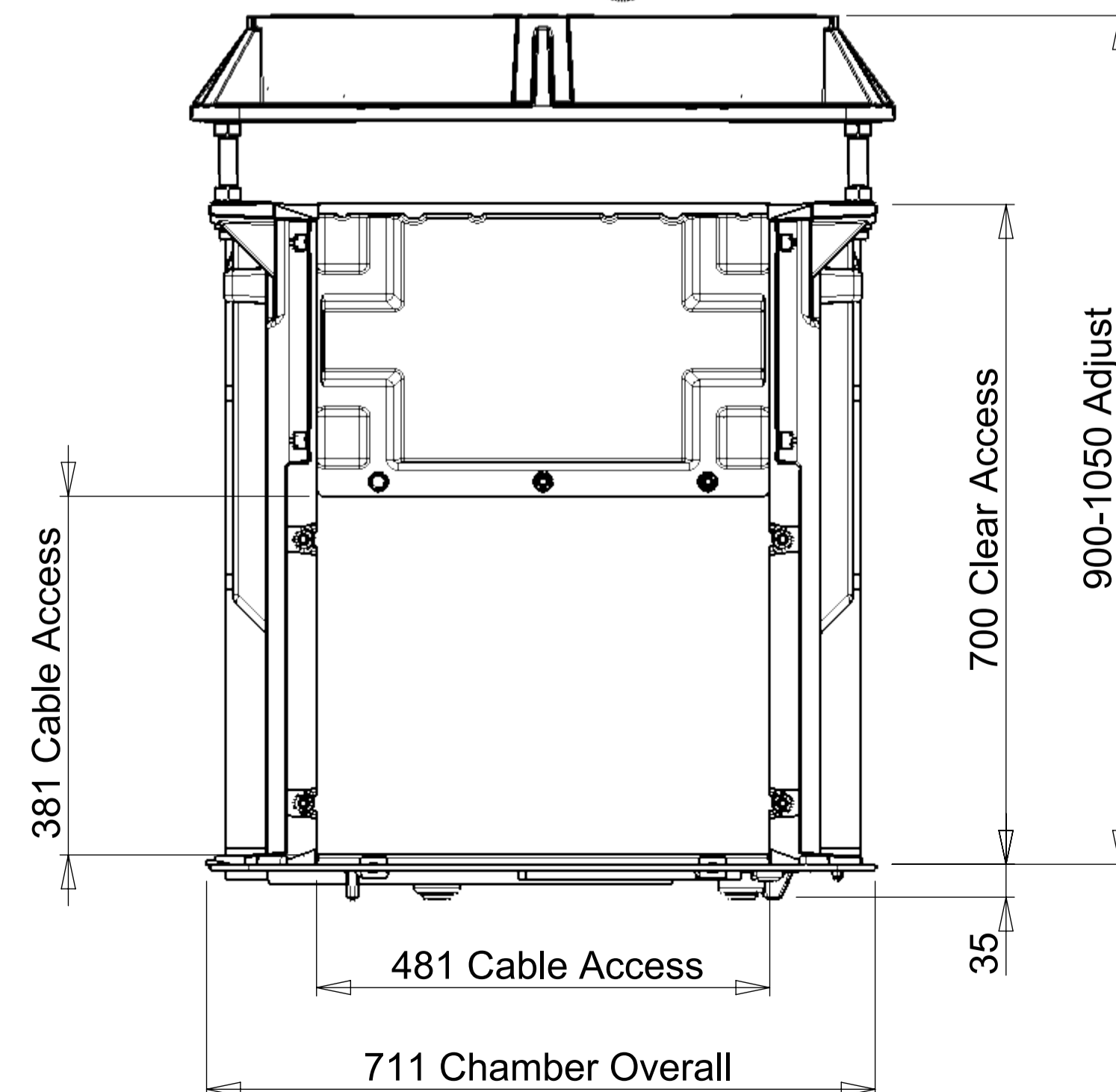
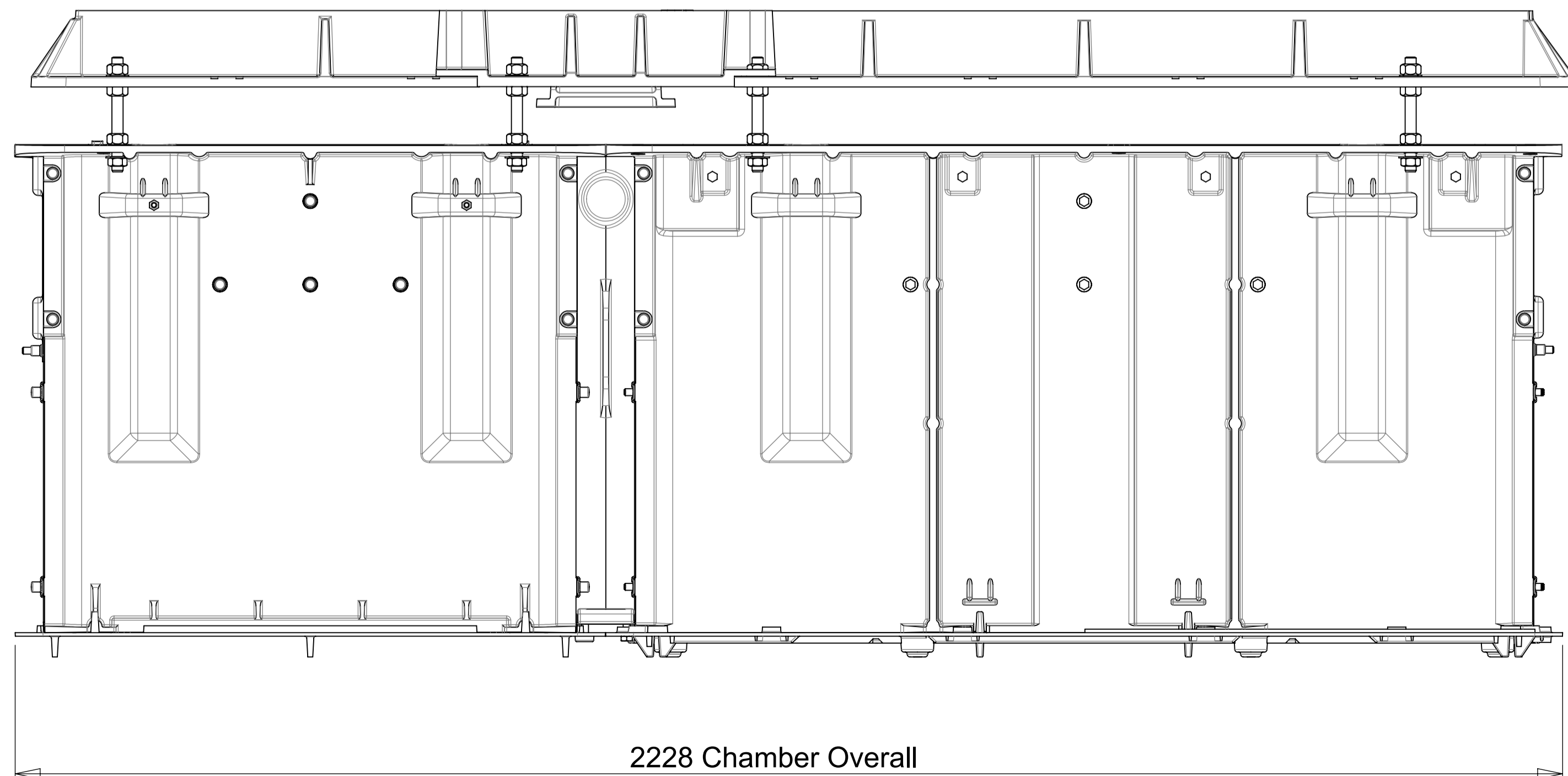
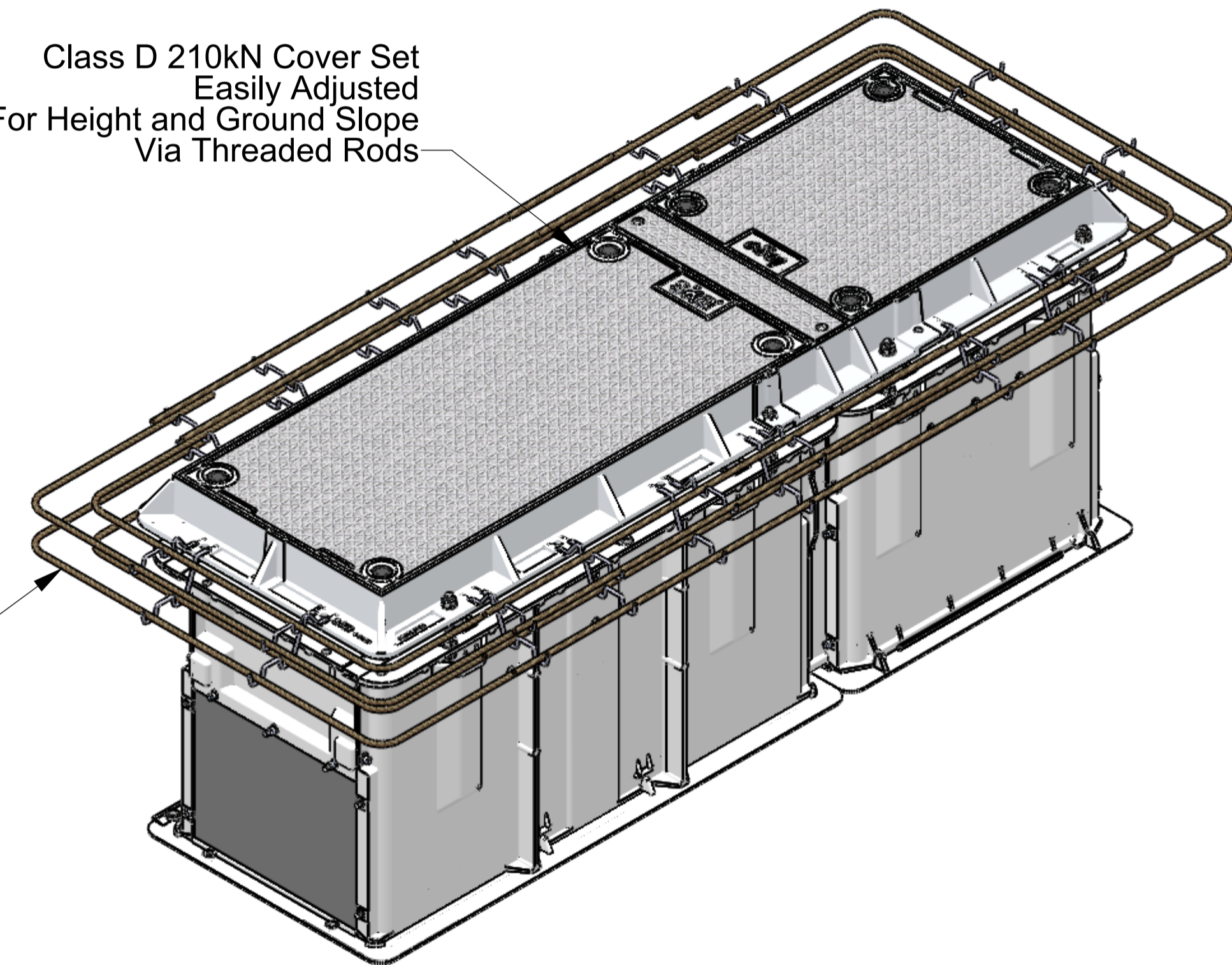


Concrete Collar

Class D 210kN Cover Set
Easily Adjusted
For Height and Ground Slope
Via Threaded Rods



Issue:	Issued By:	Or No:	Appvd By:	Date:
A	db			29-07-21

Released For Information

B	db			30-08-21
---	----	--	--	----------

Flatpack Kitset Reinforcing Steel

CLIENT

PROJECT:
**Aluminium Security
Access Cover Set and
Chamber Package**

**To Class D210kN Loads
To AS 3996 : 2006**

TITLE:
**D210kN Chamber Package
2100 x 600 x 700H
Solid Top**



PO Box 58-491, Greenmount
Auckland, New Zealand.
Phone: +64 09 274 5929
Fax: +64 09 273 9509
Email: info@sikatech.co.nz
Website: www.sikatech.co.nz

COPYRIGHT RESERVED ©

THIS INFORMATION IS HIGHLY CONFIDENTIAL
& IS THE EXCLUSIVE PROPERTY OF
SIKA TECHNOLOGY LIMITED.

Unless Specified:
All Dimensions In Millimeters
Drawn to AS 1100

Drawn By:	db	Date:	29-07-21
Engineer:	DH	Date:	29-07-21
Checked By:		Date:	
Approved By:		Date:	
Drng Size:	A1	Sht:	1
SCALE At A1:	DNS	Of:	1
Drng No:	D210-308-210607-ST-S35		