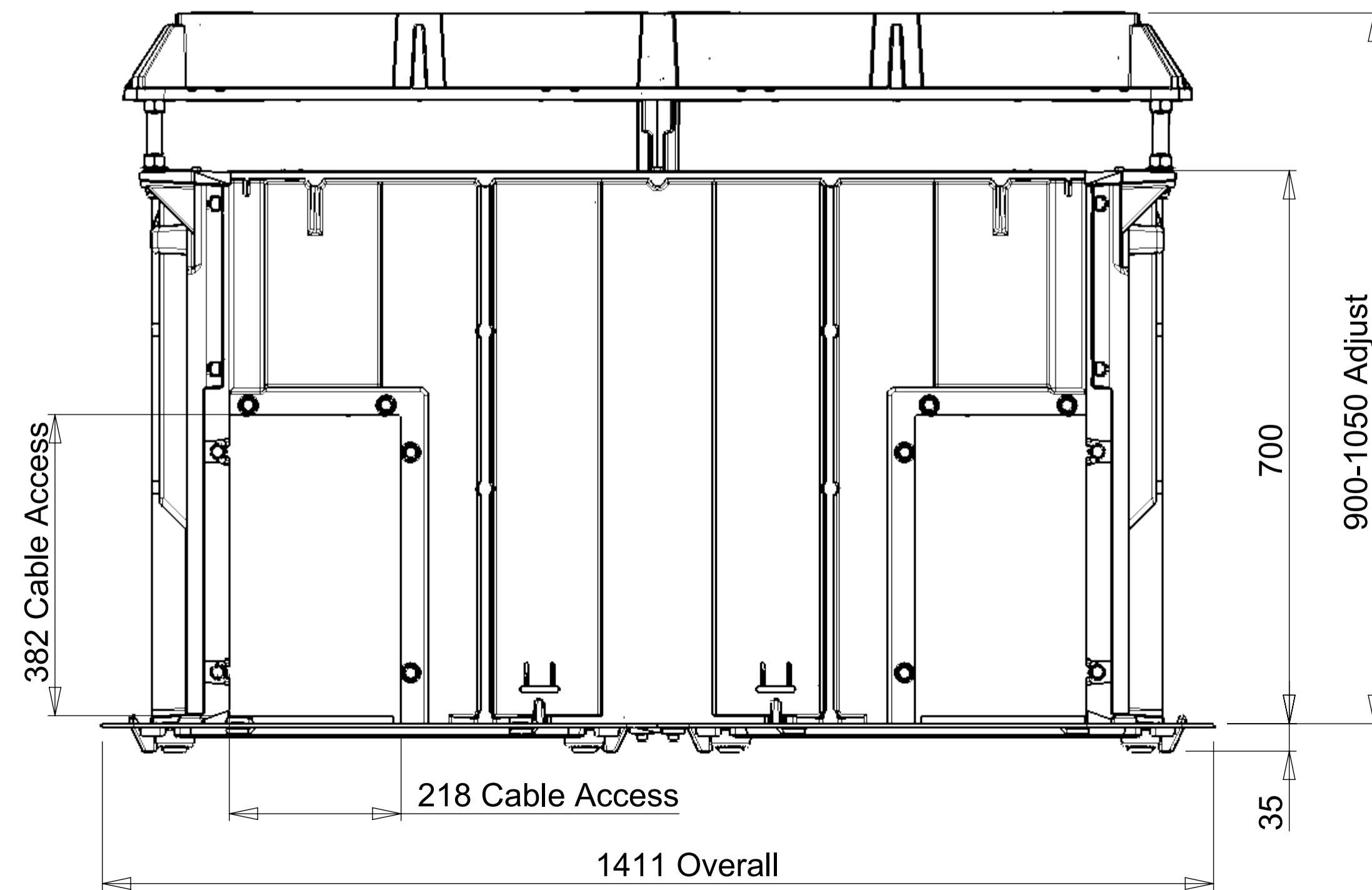
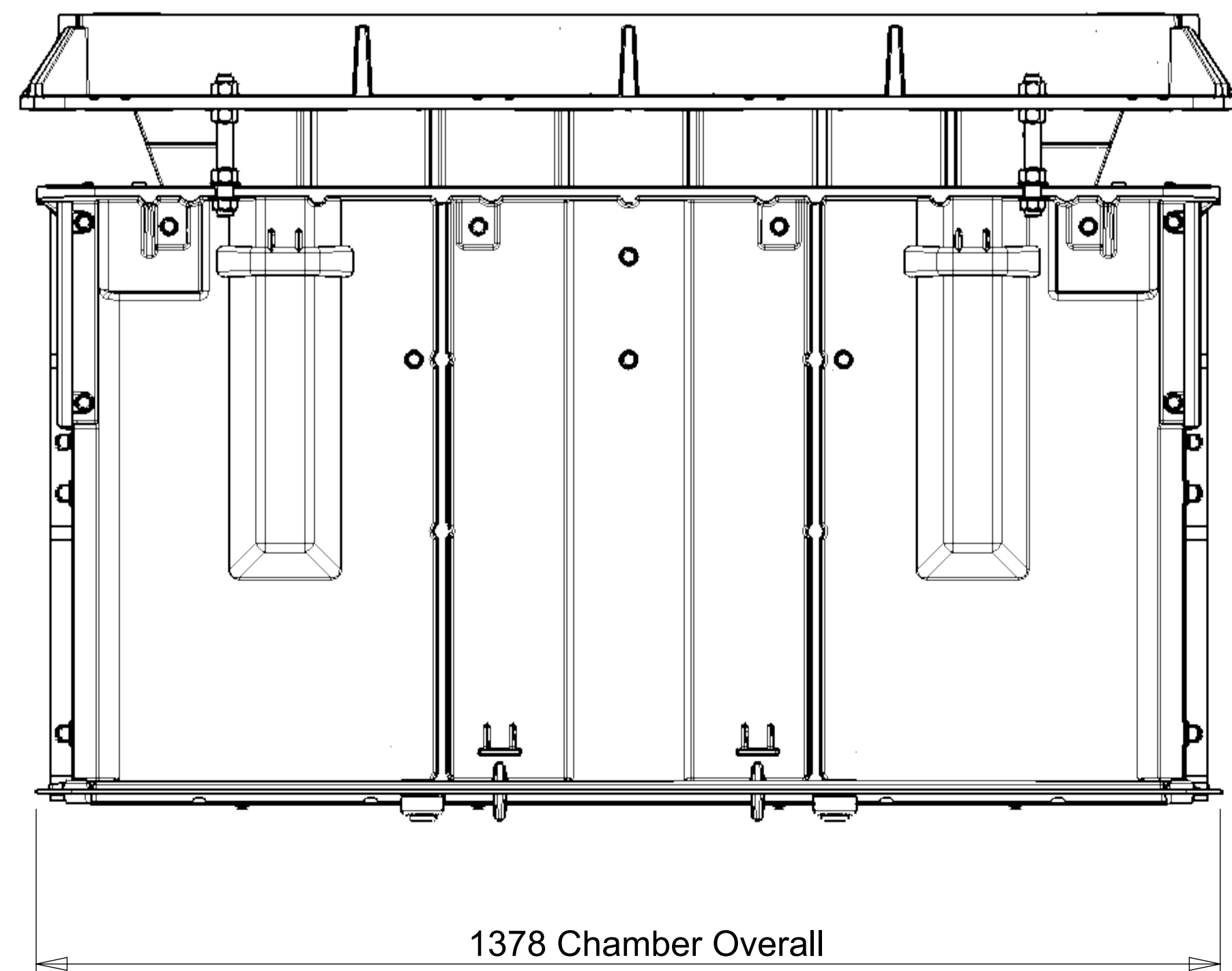
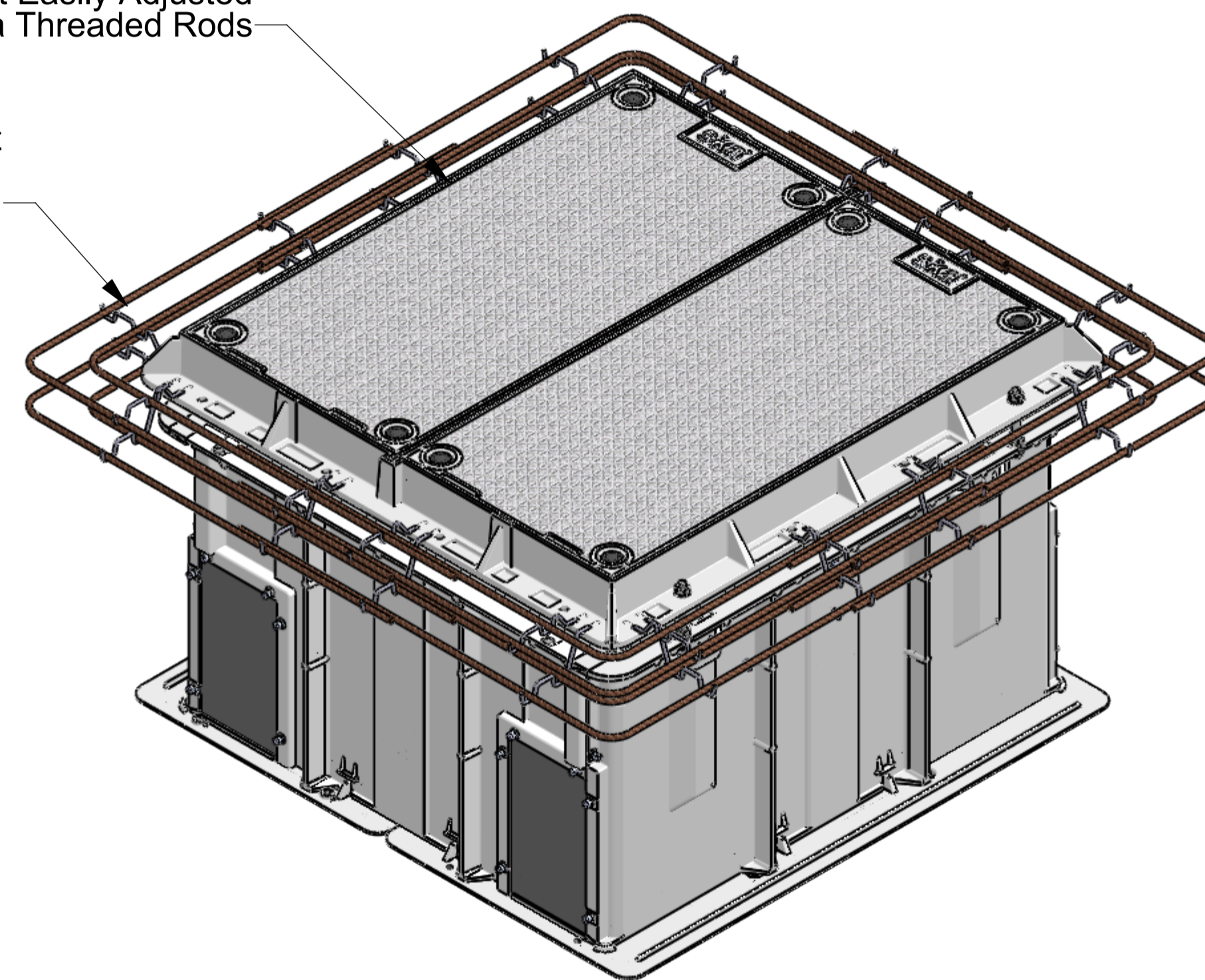


**Concrete Collar**

Class D 210kN Cover Set Easily Adjusted For Height & Ground Slope Via Threaded Rods

Sika Kitset Reinforcing Steel D210-11-RS-1212



Issue:	Issued By:	Or No:	Appvd By:	Date:
A	sfc			15-01-21

Released for Information				
B	db			26-08-21
Flatpack Kitset Reinforcing Steel				

CLIENT

PROJECT:  
**Aluminium Security Access Cover Set and Chamber Package**

**To Class D210kN Loads To AS 3996 : 2006**

TITLE:  
**D210kN Chamber Package 1200 x 1200 x 700H Solid Top**



PO Box 58-491, Greenmount  
Auckland, New Zealand.  
Phone: +64 09 274 5929  
Fax: +64 09 273 9509  
Email: info@sikatech.co.nz  
Website: www.sikatech.co.nz

COPYRIGHT RESERVED ©

THIS INFORMATION IS HIGHLY CONFIDENTIAL & IS THE EXCLUSIVE PROPERTY OF SIKA TECHNOLOGY LIMITED.

Unless Specified:  
All Dimensions In Millimeters  
Drawn to AS 1100

Drawn By:	sfc	Date:	15-01-21
Engineer:	DH	Date:	15-01-21
Checked By:		Date:	
Approved By:		Date:	
Drg Size:	A1	Sht:	1
SCALE At A1:	DNS	Of:	1
Drg No:	<b>D210-308-121207-ST-S35</b>		