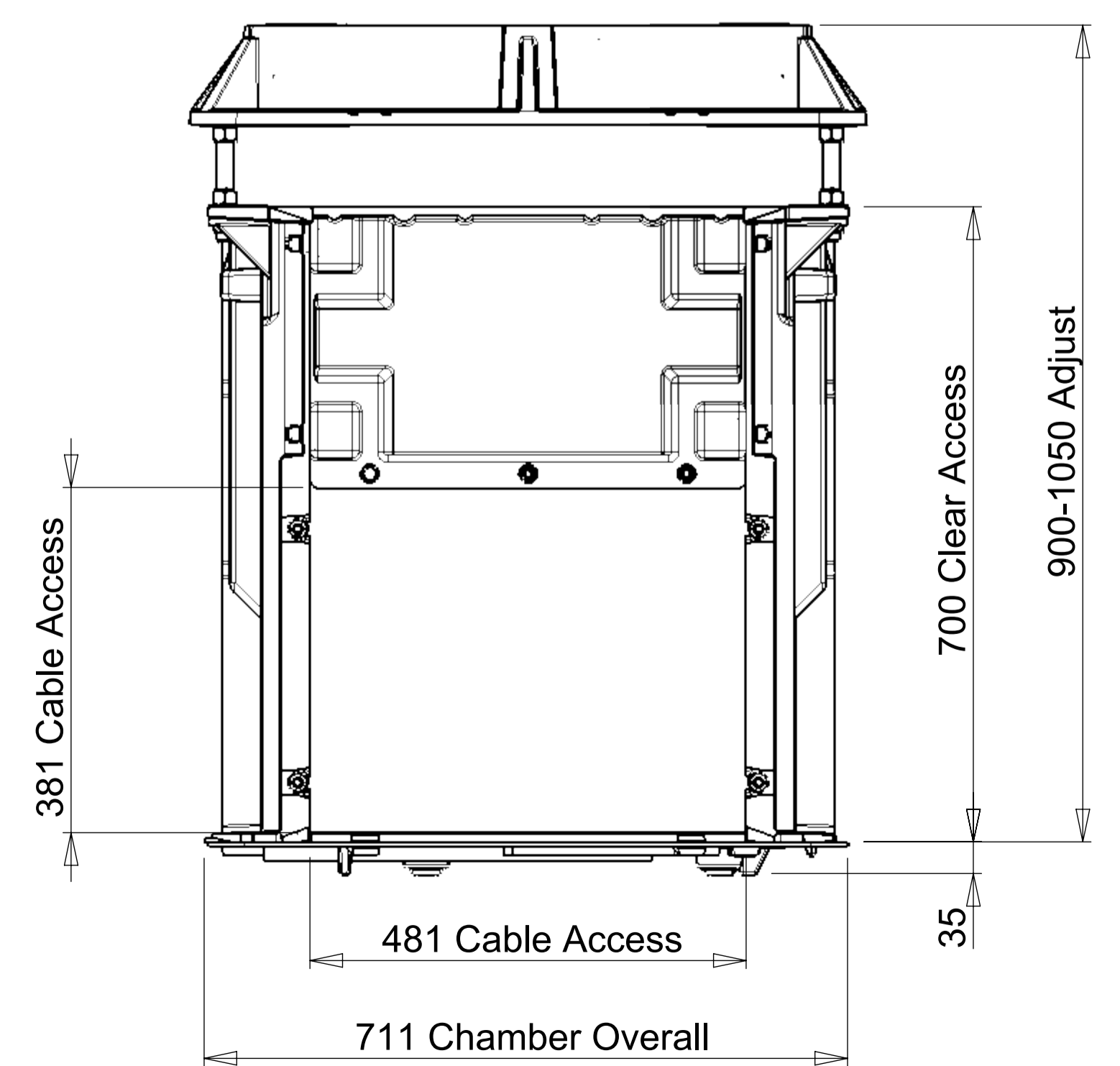
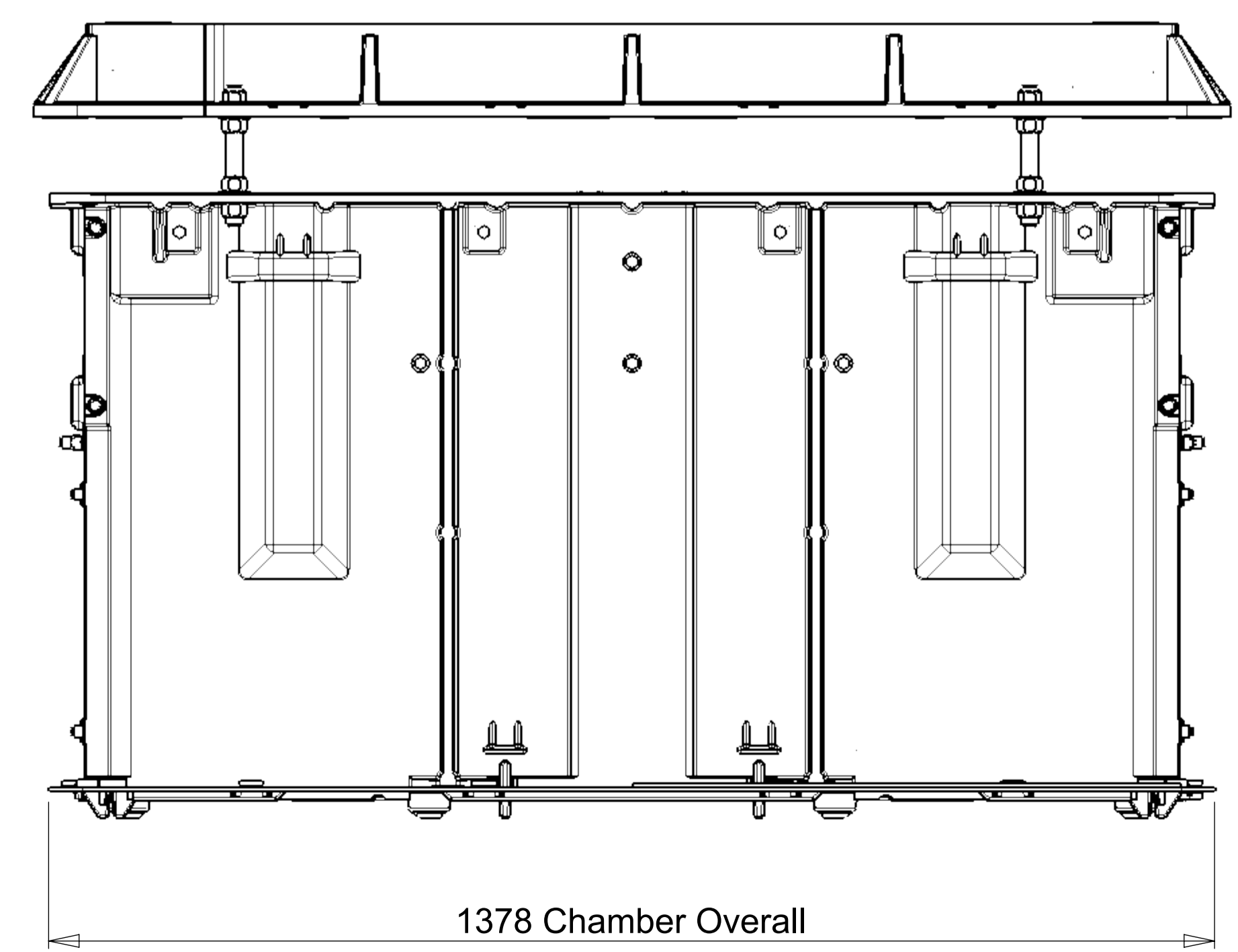
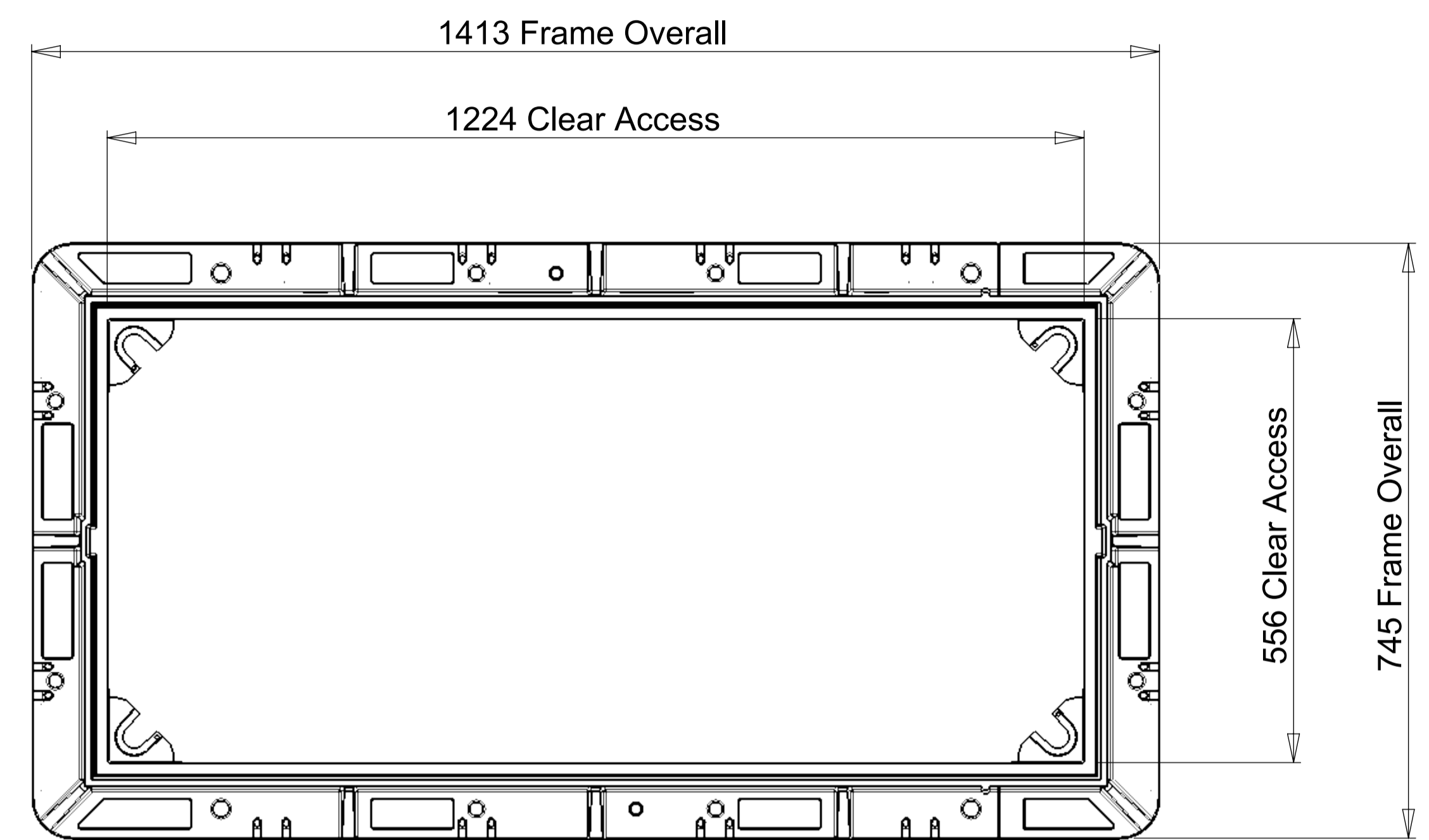
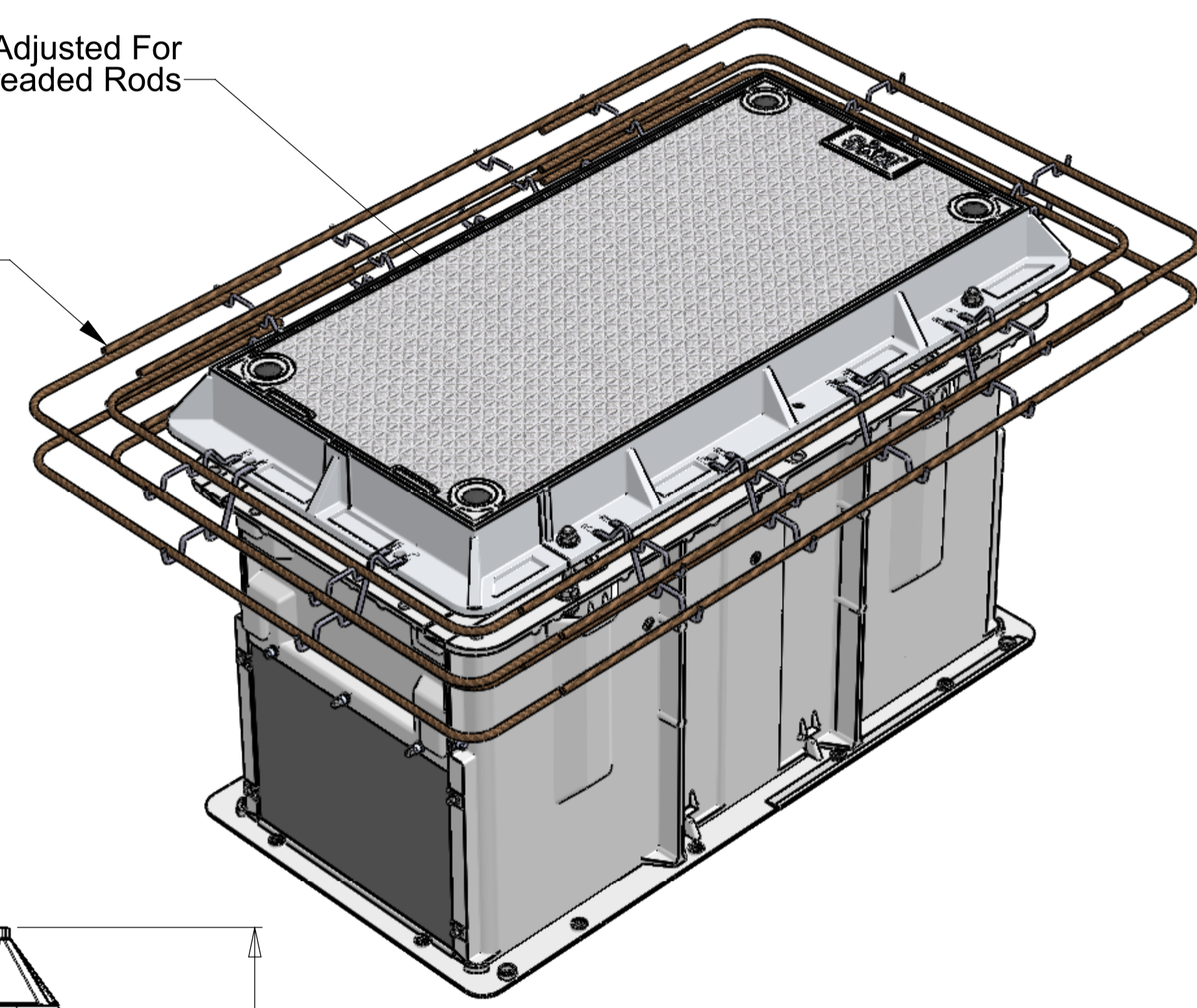


Concrete Collar

Class D 210kN Cover Set Easily Adjusted For Height and Ground Slope Via Threaded Rods

Sika Kitset Reinforcing Steel D210-11-RS-1206



Issue:	Issued By:	Or No:	Appvd By:	Date:
A	db			29-07-21
Released For Information				
B	db			24-08-21
Flatpack Kitset Reinforcing Steel				

CLIENT

PROJECT:
Aluminium Security Access Cover Set and Chamber Package
 To Class D210kN Loads
 To AS 3996 : 2006

TITLE:
D210kN Chamber Package 1200 x 600 x 700H Solid Top



PO Box 58-491, Greenmount
 Auckland, New Zealand.
 Phone: +64 09 274 5929
 Fax: +64 09 273 9509
 Email: info@sikatech.co.nz
 Website: www.sikatech.co.nz
 COPYRIGHT RESERVED ©

THIS INFORMATION IS HIGHLY CONFIDENTIAL & IS THE EXCLUSIVE PROPERTY OF SIKA TECHNOLOGY LIMITED.

Unless Specified:
 All Dimensions In Millimeters
 Drawn to AS 1100

Drawn By:	db	Date:	29-07-21
Engineer:	DH	Date:	29-07-21
Checked By:		Date:	
Approved By:		Date:	
Drg Size:	A1	Sht:	1
SCALE At A1:	DNS	Of:	1
Drg No:	D210-308-120607-ST-S35		