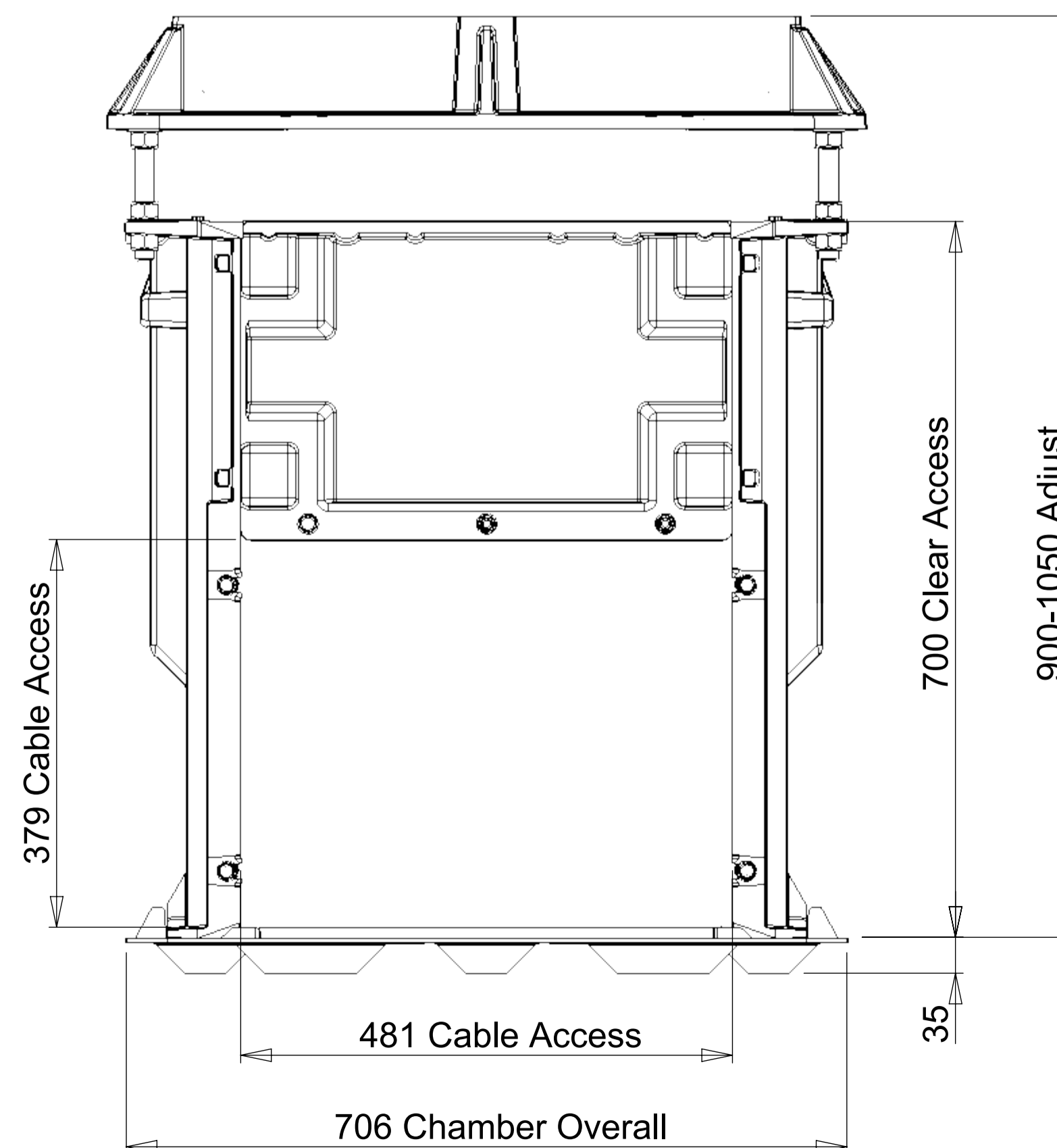
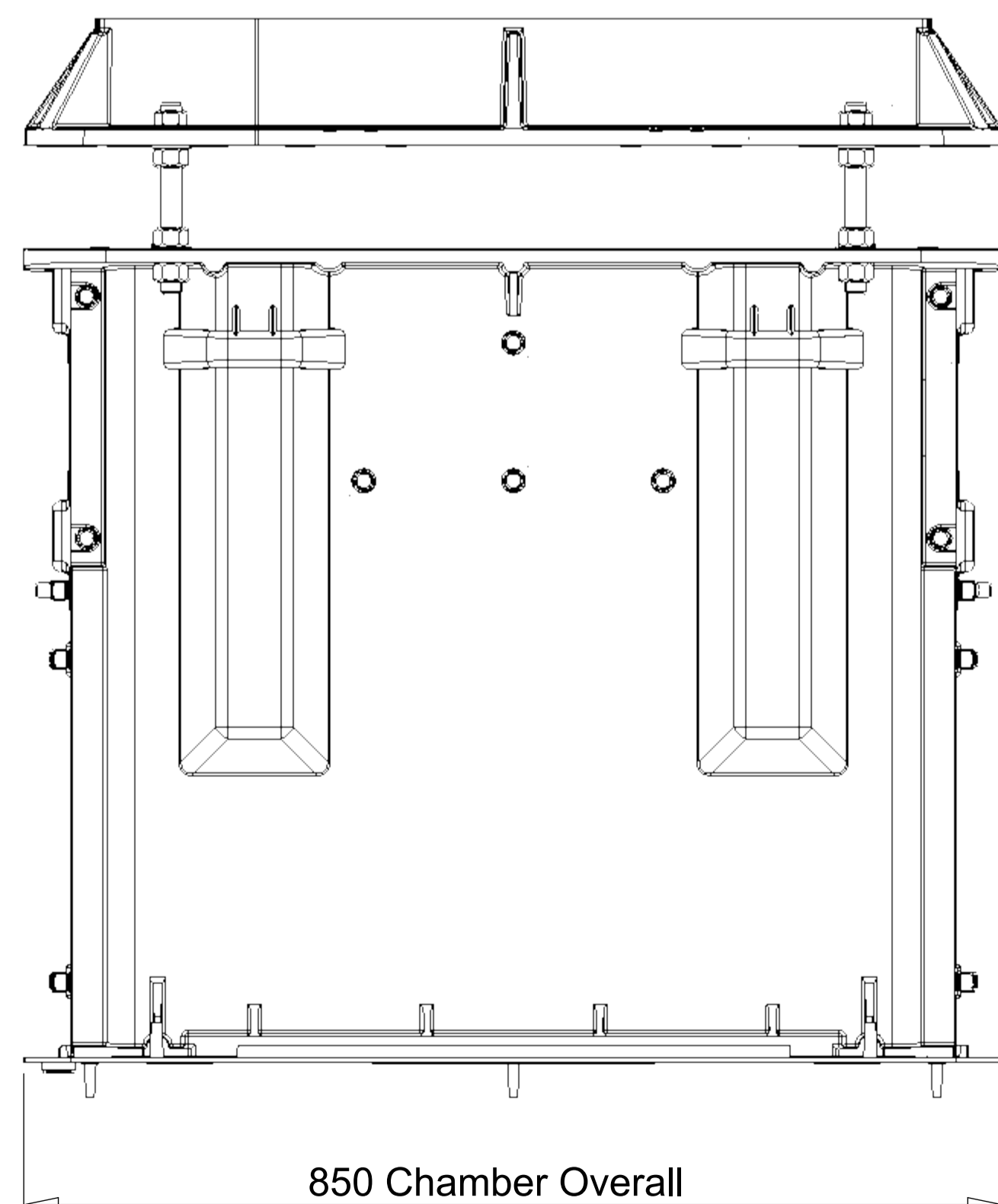
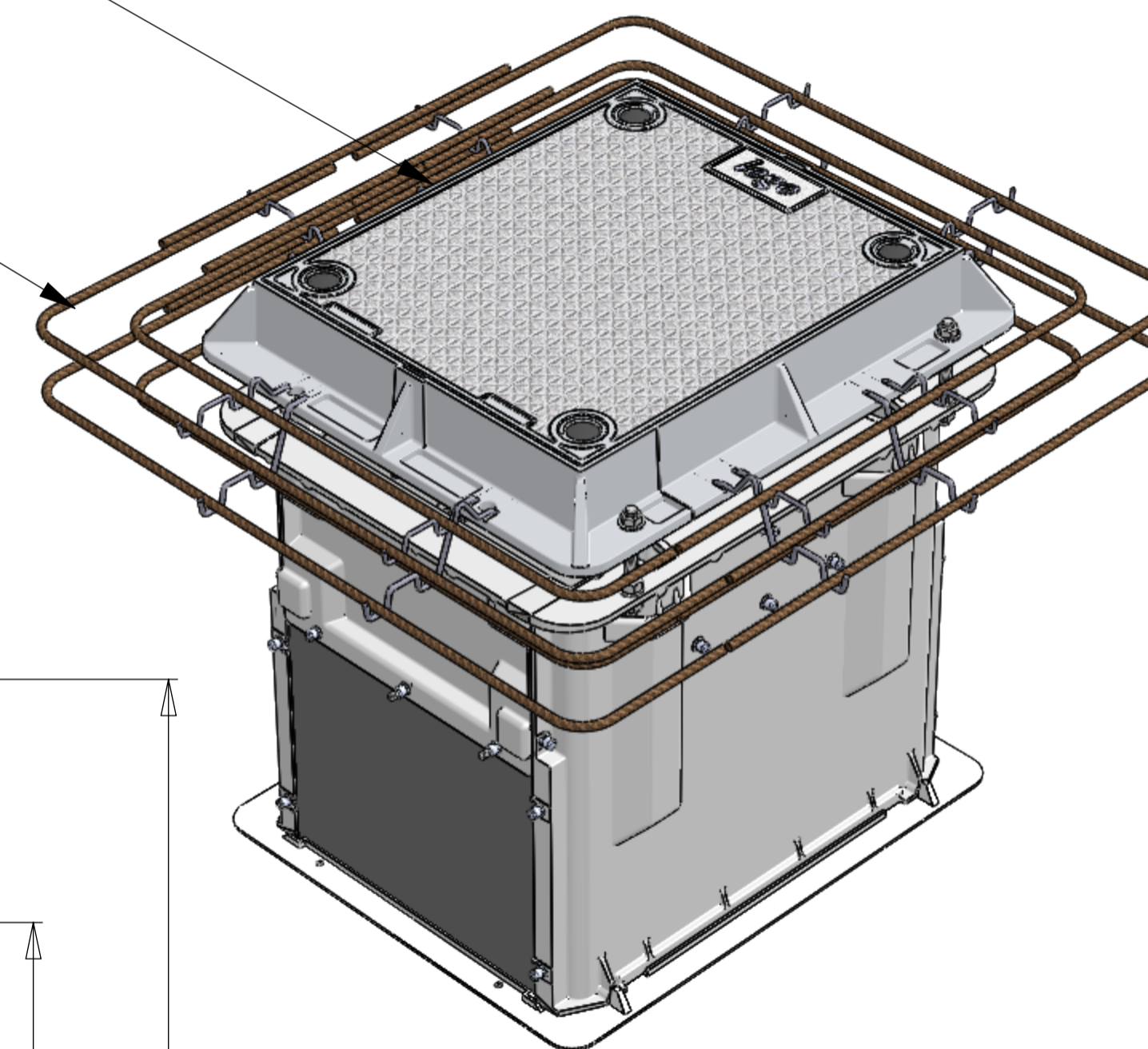


**Typical Installation  
Concrete Collar**

Class D 210kN Cover Set Easily Adjusted  
For Height & Ground Slope Via Threaded Rods

Sika Kitset  
Reinforcing Steel  
D210-11-RS-0706



Issue:	Issued By:	Or No:	Appvd By:	Date:
A	sfc			19-04-13

Released For Information

B	db			26-08-21
---	----	--	--	----------

Flatpack Kitset Reinforcing Steel

CLIENT

PROJECT:  
**Aluminium Security  
Access Cover Set and  
Chamber Package**

To Class D210kN Loads  
To AS 3996 : 2006

TITLE:  
**D210kN Chamber Package  
700 x 600 x 700H  
Solid Top**



PO Box 58-491, Greenmount  
Auckland, New Zealand.  
Phone: +64 09 274 5929  
Fax: +64 09 273 9509  
Email: info@sikatech.co.nz  
Website: www.sikatech.co.nz

COPYRIGHT RESERVED ©

THIS INFORMATION IS HIGHLY CONFIDENTIAL  
& IS THE EXCLUSIVE PROPERTY OF  
SIKA TECHNOLOGY LIMITED.

Unless Specified:  
All Dimensions In Millimeters  
Drawn to AS 1100

Drawn By:	sfc	Date:	19-04-13
Engineer:	DH	Date:	19-04-13
Checked By:		Date:	
Approved By:		Date:	
Drg Size:	A1	Sht:	1
SCALE At A1:	1:5	Of:	1
Drg No:	<b>D210-308-070607-ST-S35</b>		