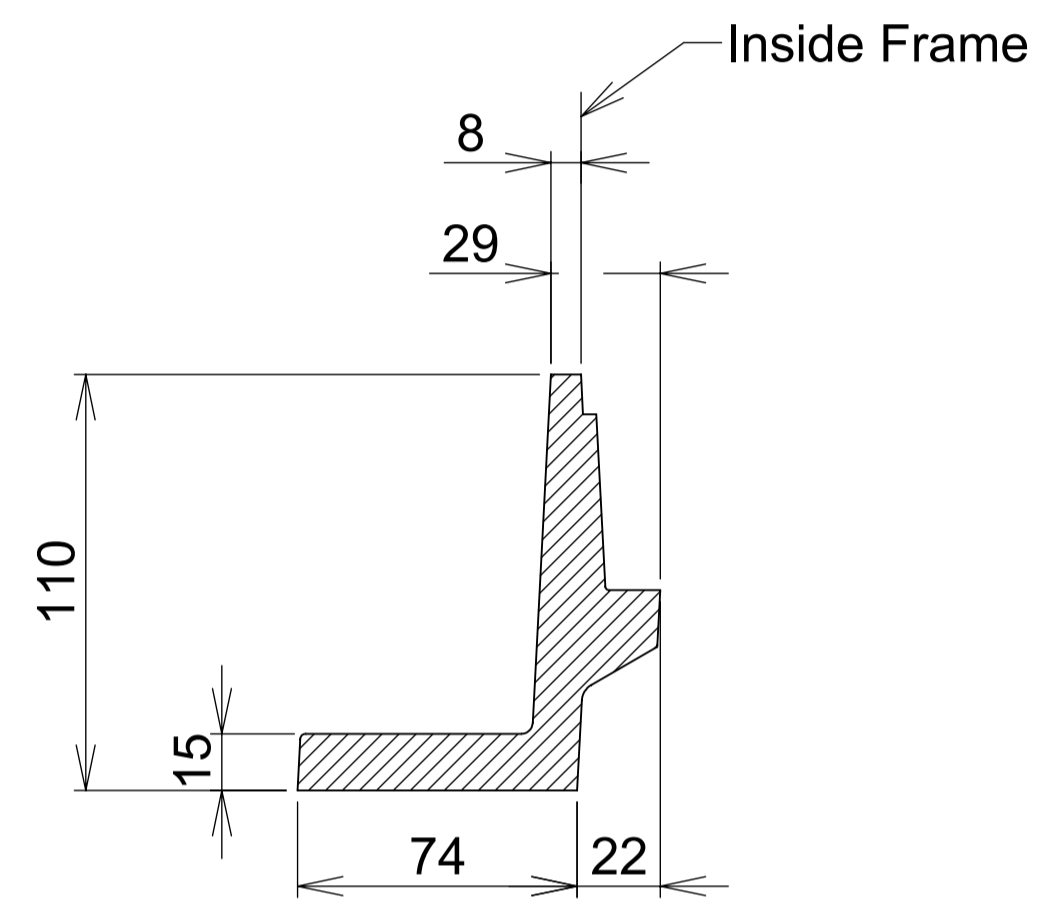
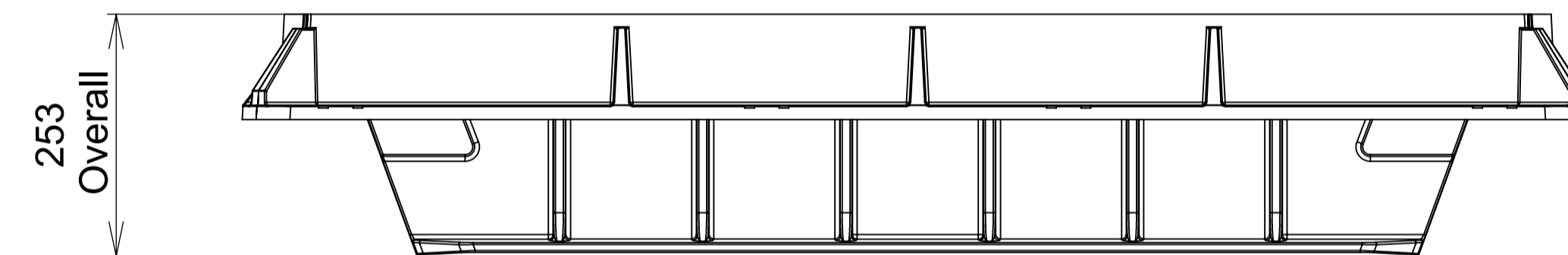
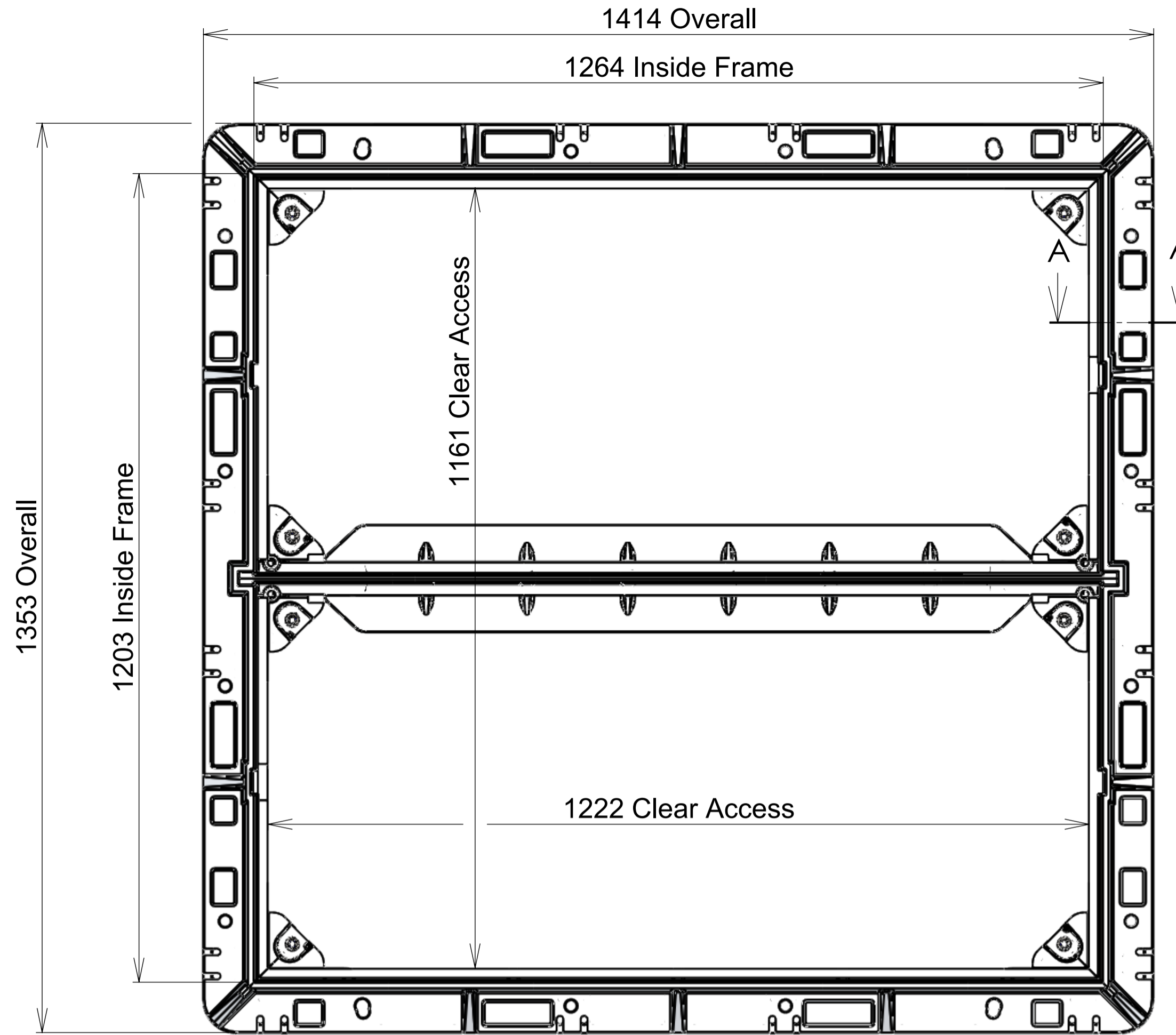


30 mm Sq - Raised Tetrahedron Tread Pattern **Cover**

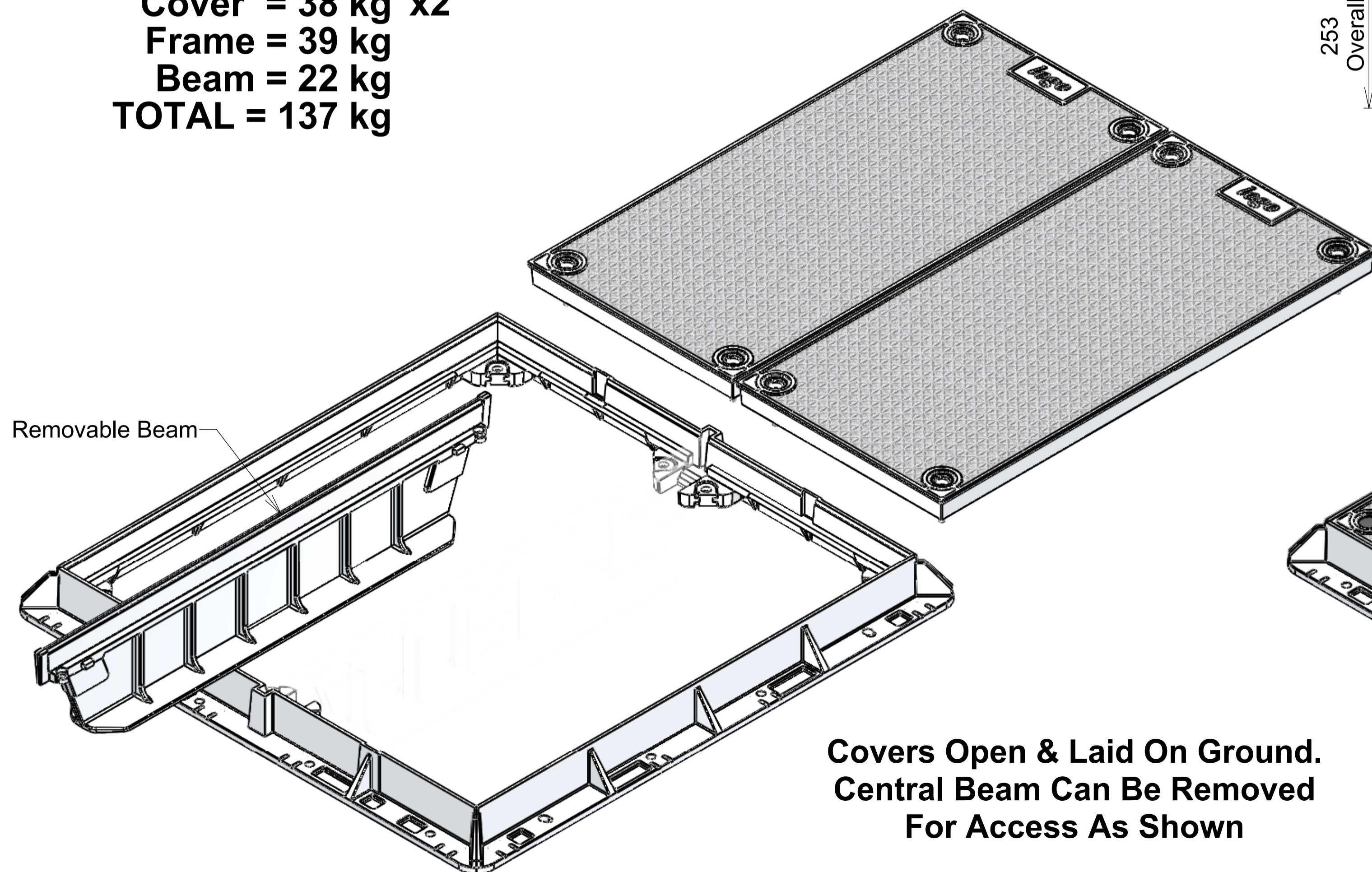
Embossed Logo To Client's Requirements



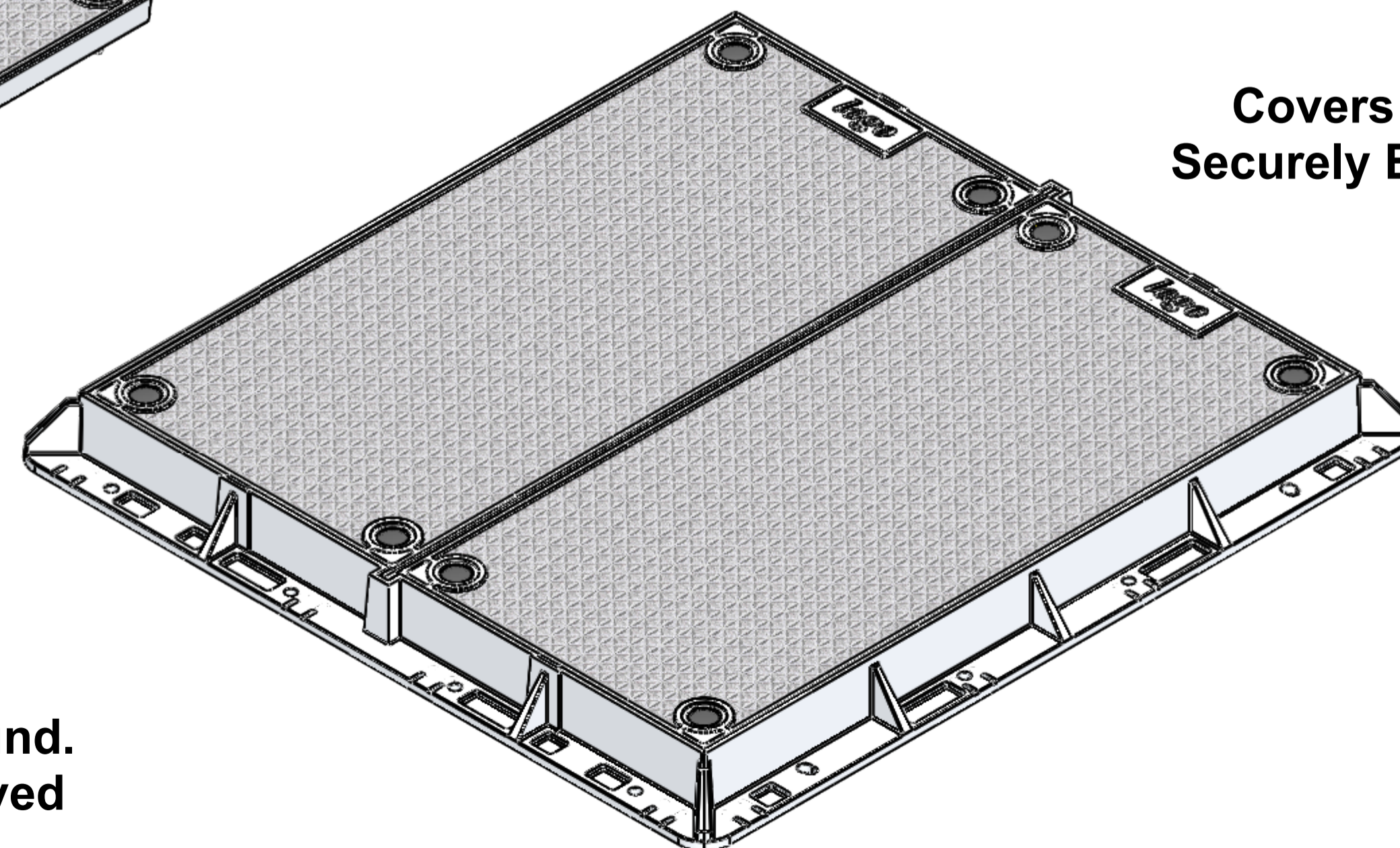
**Section A-A
Typ Frame**



Masses:
 Cover = 38 kg x2
 Frame = 39 kg
 Beam = 22 kg
TOTAL = 137 kg



**Covers Open & Laid On Ground.
Central Beam Can Be Removed
For Access As Shown**



**Covers Closed &
Securely Bolted Down**

Refer Sika Installation Guide

Issue:	Issued By:	Or No:	Appvd By:	Date:
A	DH			01-03-03
Released For Information				
B	NL			18-09-09
Remodeled To Match As-Built				
Recorded: Was D-31212-01				
C	db			19-04-16
Minimum Concrete Nib was 200 x 200				
Corrected Product Mass				
D	db			31-08-21
Reviewed and Updated				

CLIENT

PROJECT:
**Aluminium Security
Access Cover Set**

To Class D210kN Loads
 To AS 3996 : 2006

TITLE:
**Bolted Cover Set
1200 x 1200 Solid Top**



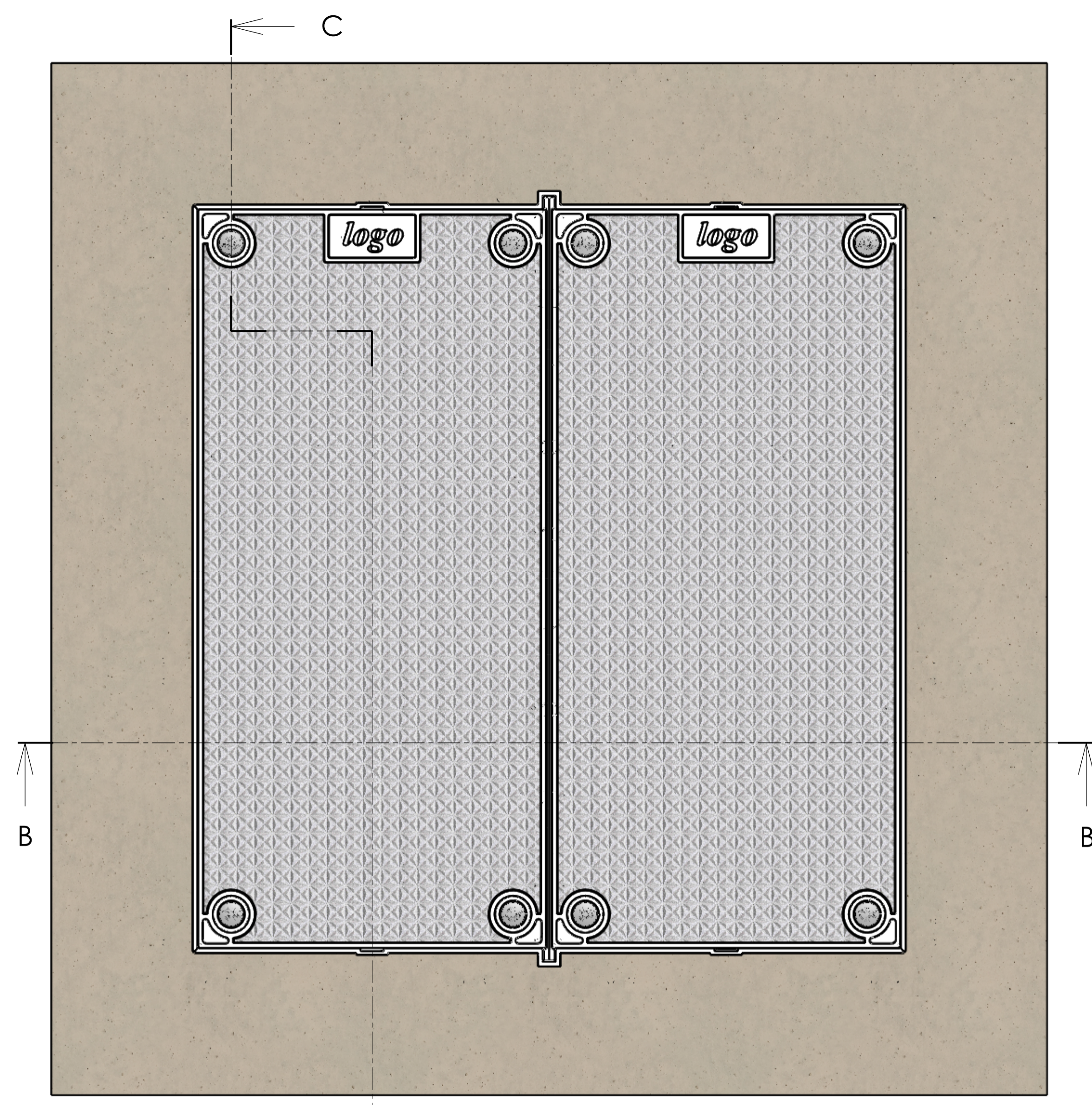
PO Box 58-491, Greenmount
 Auckland, New Zealand.
 Phone: +64 09 274 5929
 Fax: +64 09 273 9509
 Email: info@sikatech.co.nz
 Website: www.sikatech.co.nz

COPYRIGHT RESERVED ©

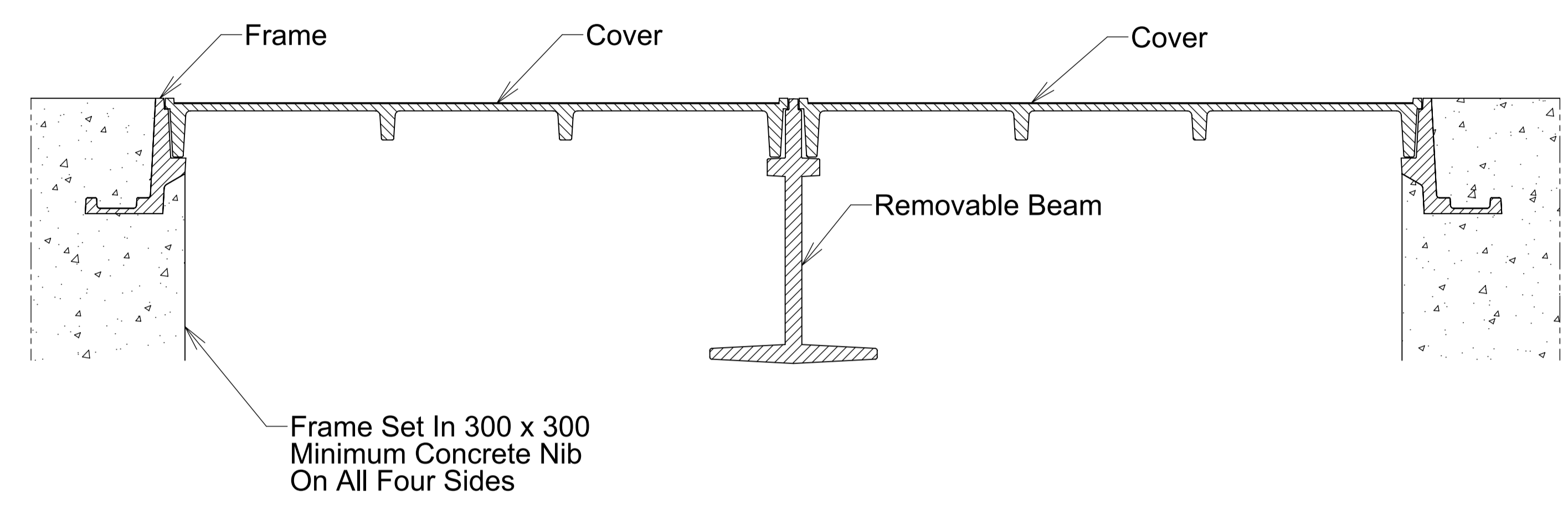
THIS INFORMATION IS HIGHLY CONFIDENTIAL
 & IS THE EXCLUSIVE PROPERTY OF
 SIKA TECHNOLOGY LIMITED.

Unless Specified:
 All Dimensions In Millimeters
 Drawn to AS 1100

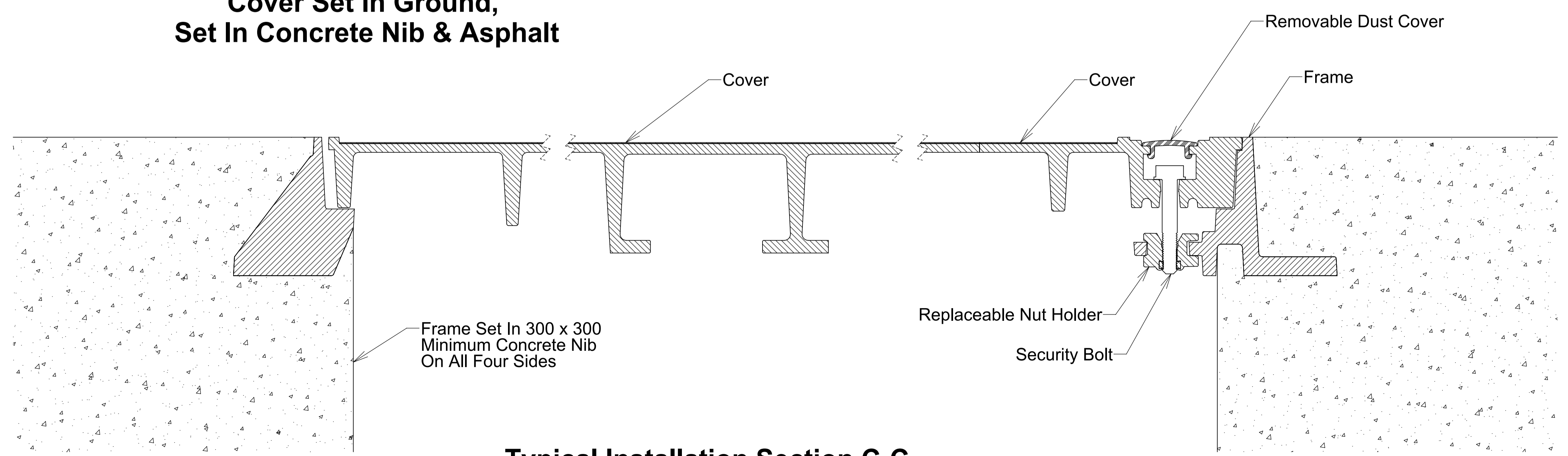
Drawn By:	N Lush	Date:	01-03-03
Engineer:	G Spain	Date:	01-03-03
Checked By:		Date:	
Approved By:		Date:	
Drg Size:	A1	Sht:	1
SCALE At A1:	DNS	Of:	2
Drg No:	D		
D210-303-1212-ST-A00			



**Cover Set In Ground,
Set In Concrete Nib & Asphalt**



Typical Installation Section B-B



Typical Installation Section C-C

Issue:	Issued By:	Or No:	Appvd By:	Date:
A	DH			01-03-03
Released For Information				
B	NL			18-09-09
Remodeled To Match As-Builts Recorded: Was D-31212-01				
C	db			19-04-16
Minimum Concrete Nib was 200 x 200 Corrected Product Mass				
D	db			31-08-21
Reviewed and Updated				

CLIENT

PROJECT:
**Aluminium Security
Access Cover Set**

**To Class D210kN Loads
To AS 3996 : 2006**

TITLE:
**Bolted Cover Set
1200 x 1200 Solid Top**



PO Box 58-491, Greenmount
Auckland, New Zealand.
Phone: +64 09 274 5929
Fax: +64 09 273 9509
Email: info@sikatech.co.nz
Website: www.sikatech.co.nz
COPYRIGHT RESERVED ©

THIS INFORMATION IS HIGHLY CONFIDENTIAL
& IS THE EXCLUSIVE PROPERTY OF
SIKA TECHNOLOGY LIMITED.

Unless Specified:
All Dimensions In Millimeters
Drawn to AS 1100

Drawn By:	N Lush	Date:	01-03-03
Engineer:	G Spain	Date:	01-03-03
Checked By:		Date:	
Approved By:		Date:	
Drg Size:	A1	Sht:	2
SCALE At A1:	DNS	Of:	2
Drg No:	D		
D210-303-1212-ST-A00			