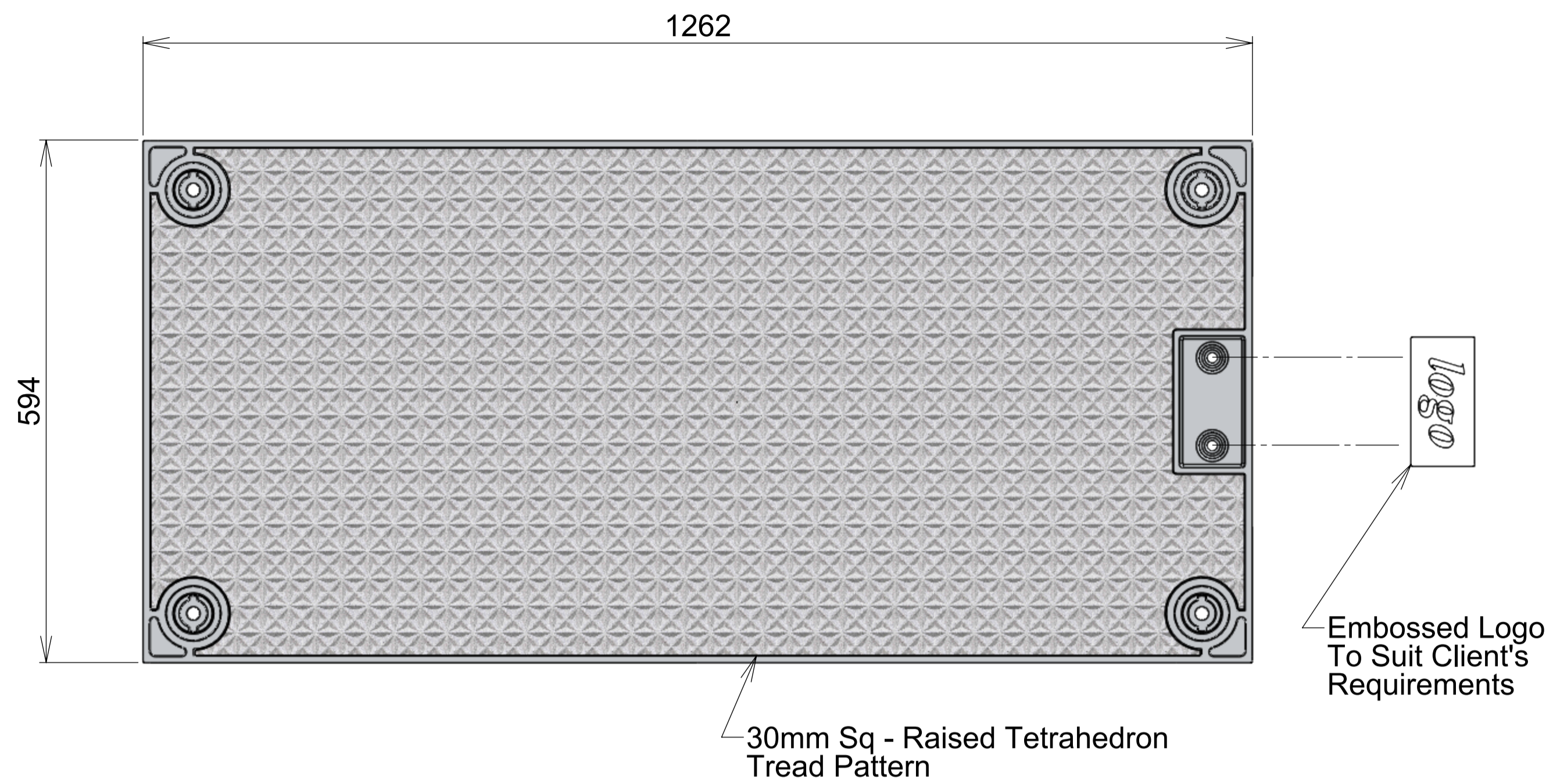
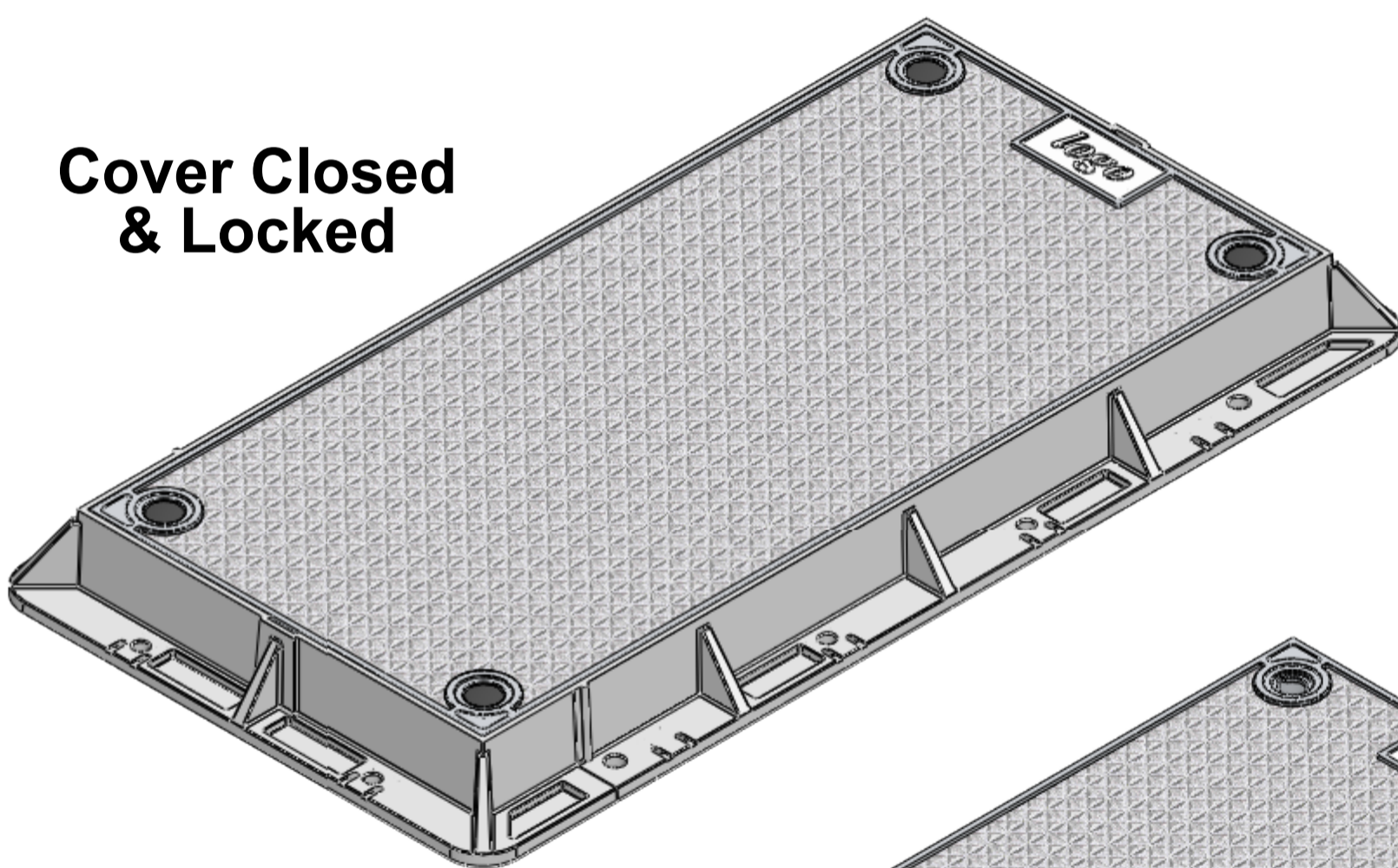


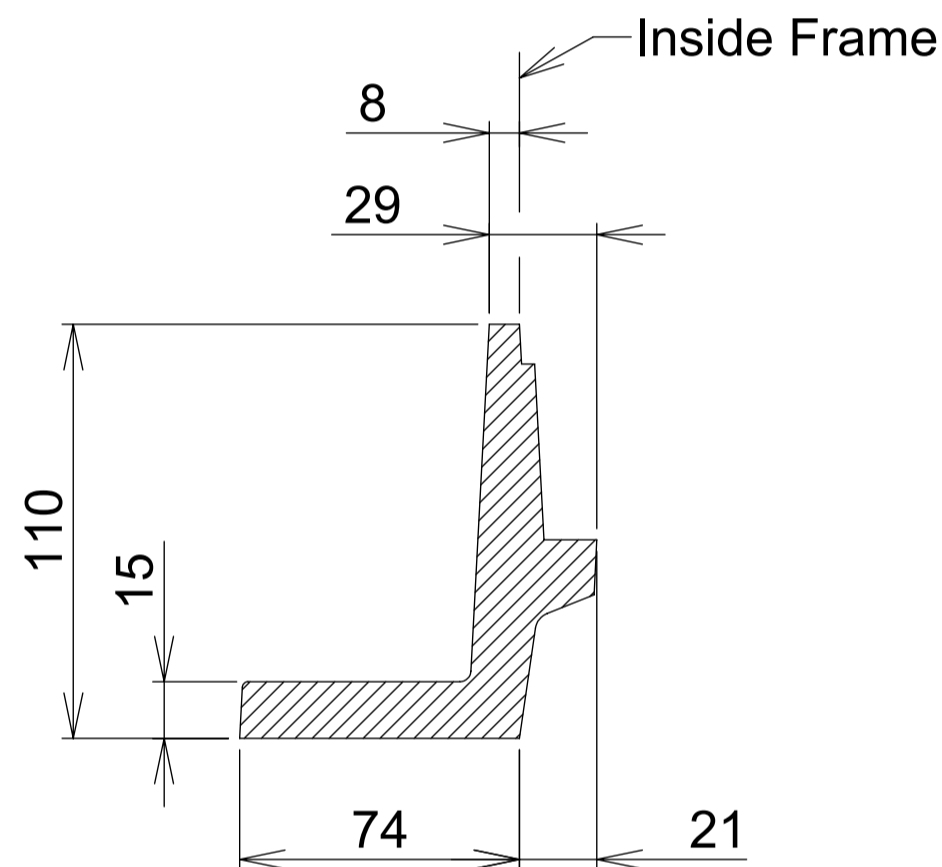
Frame



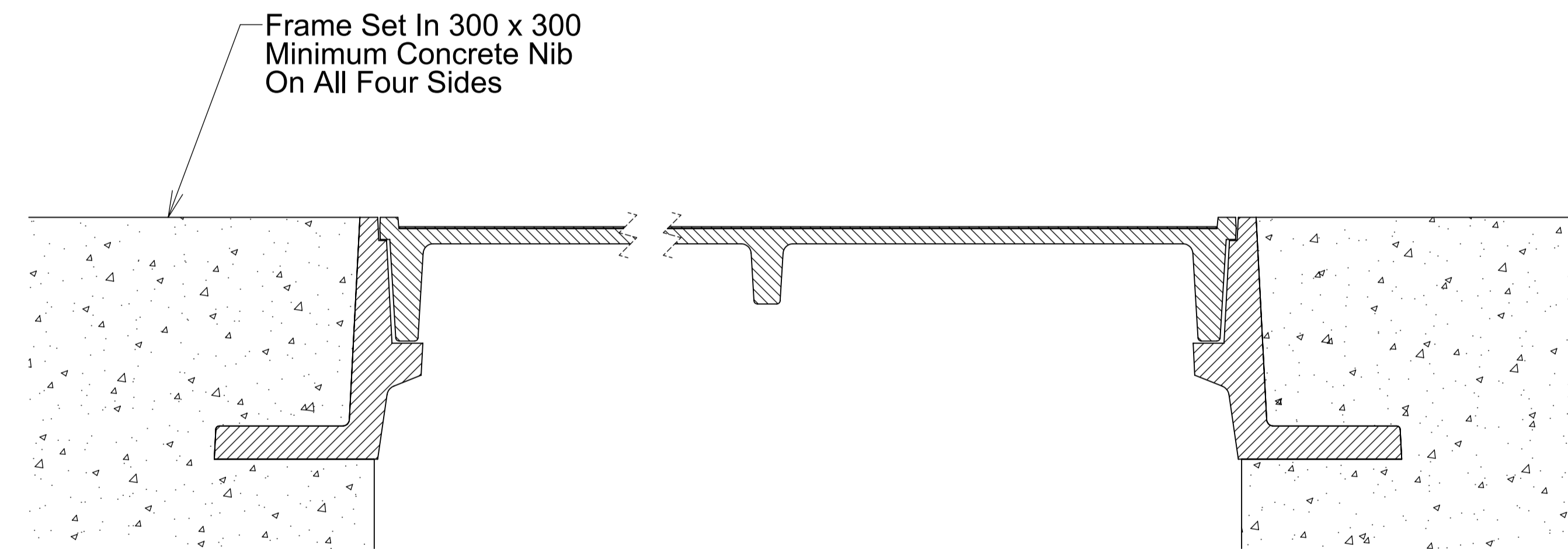
Cover



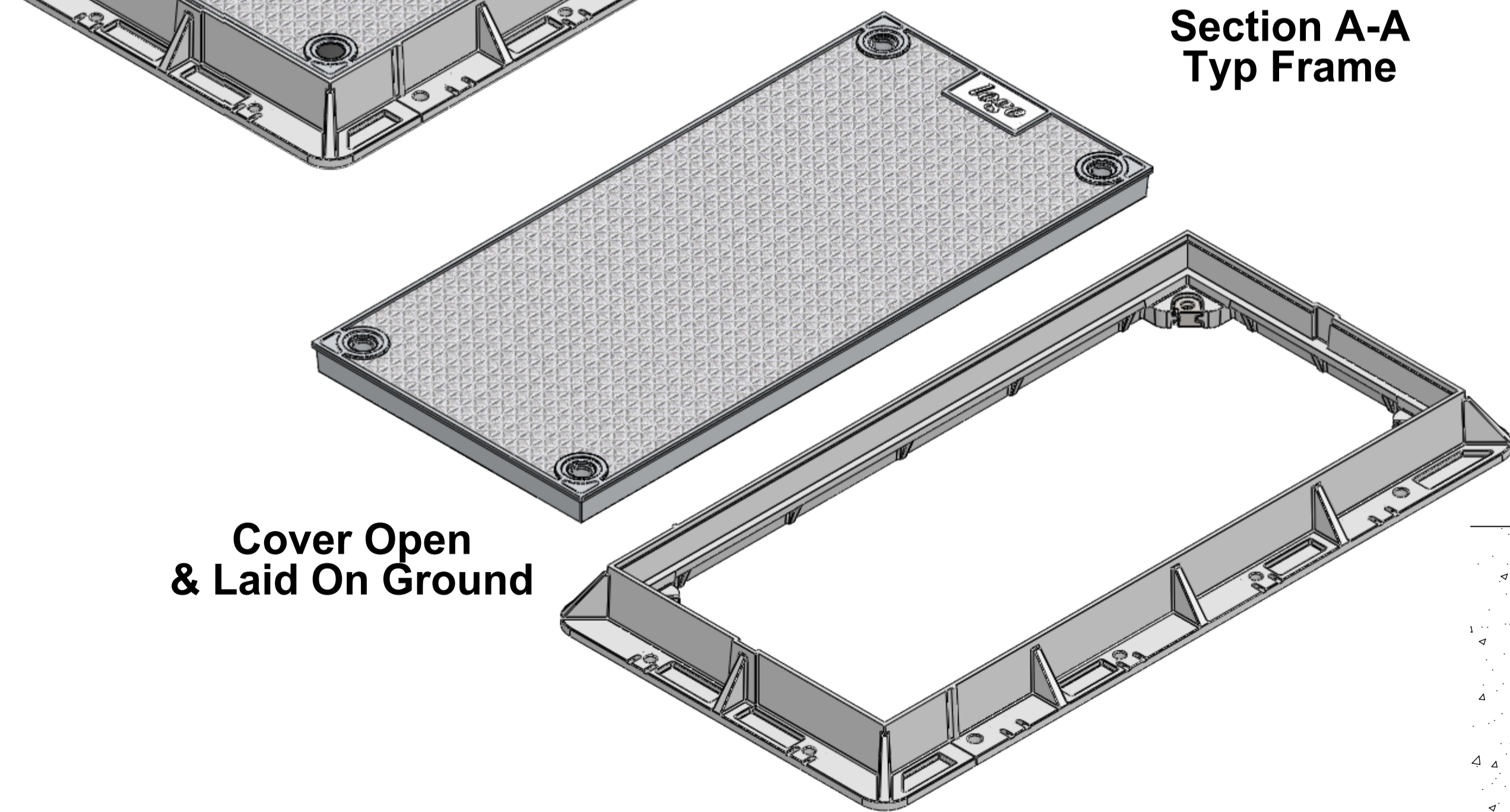
Cover Closed & Locked



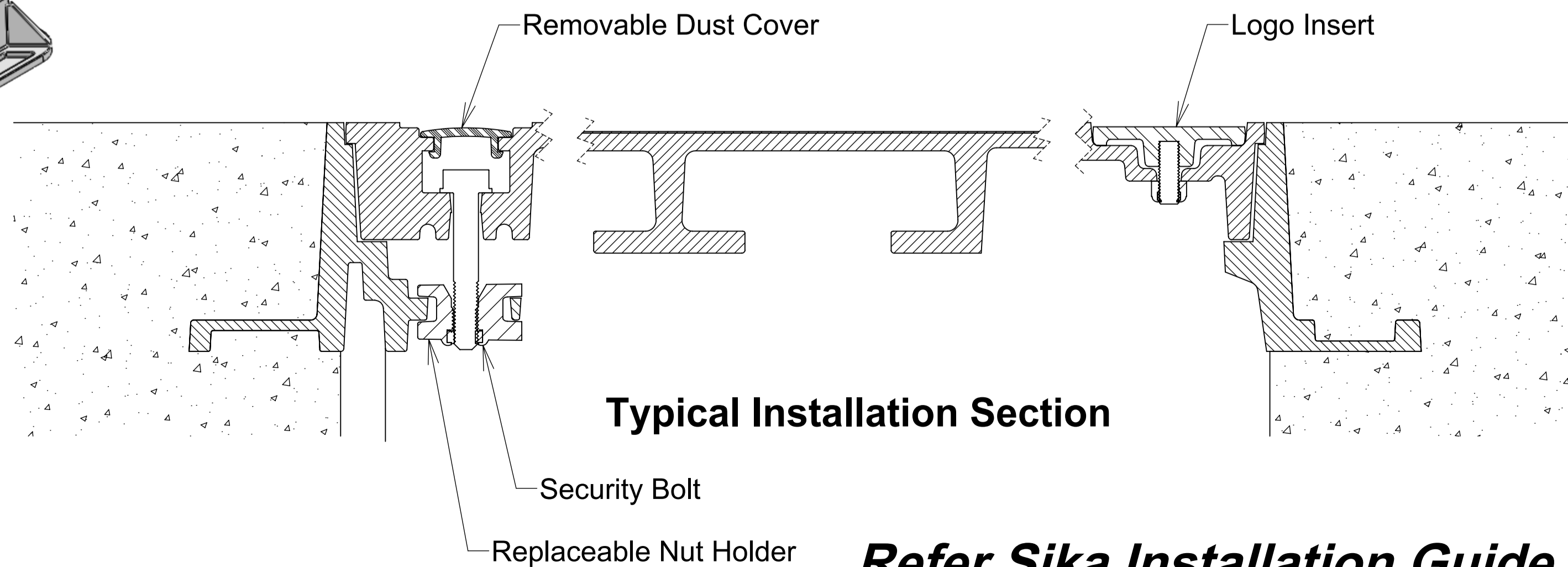
**Section A-A
Typ Frame**



Typical Installation Section



Cover Open & Laid On Ground



Typical Installation Section

Masses:
Frame = 29 kg
Cover = 38 kg

Refer Sika Installation Guide

Issue:	Issued By:	Chkd By:	Appvd By:	Date:
A	NL	.	.	03-11-05
Released For Approval				
B	NL	.	.	11-08-09
Redrawn To Match As Built				
C	NL	.	.	19-04-16
Minimum Concrete Nib was 200 x 200 Cover Assy Mass was 40 kg				
D	db	.	.	30-08-21
Reviewed and Updated				

CLIENT

PROJECT:
**Aluminium Security
 Access Cover Set**

**To Class D210kN Loads
 To AS 3996: 2006**

TITLE:
**Bolted Cover Set
 1200 x 600 Solid Top**



PO Box 58-491, Greenmount
 Auckland, New Zealand.
 Phone: +64 09 274 5929
 Fax: +64 09 273 9509
 Email: info@sikatech.co.nz
 Website: www.sikatech.co.nz

COPYRIGHT RESERVED ©

THIS INFORMATION IS HIGHLY CONFIDENTIAL
 & IS THE EXCLUSIVE PROPERTY OF
 SIKA TECHNOLOGY LIMITED.

Unless Specified:
 All Dimensions In Millimeters
 Drawn to AS 1100

Drawn By:	N Lush	Date:	03-11-05
Engineer:	G Spain	Date:	03-11-05
Checked By:		Date:	
Approved By:		Date:	
Drg Size:	A1	Sht:	1
SCALE At A1:	DNS	Of:	1
Drg No:	D		
D210-303-1206-ST-A00			