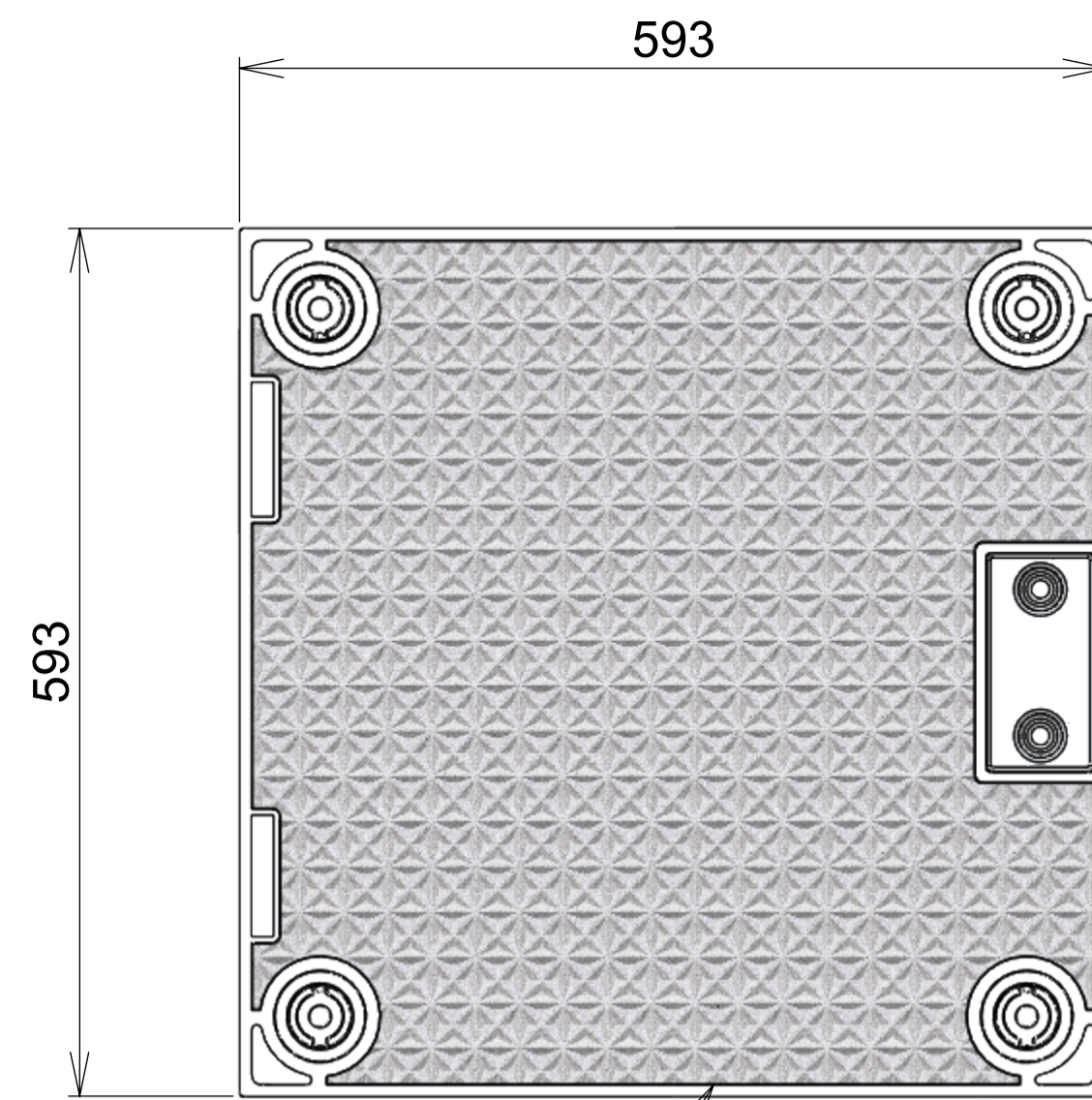
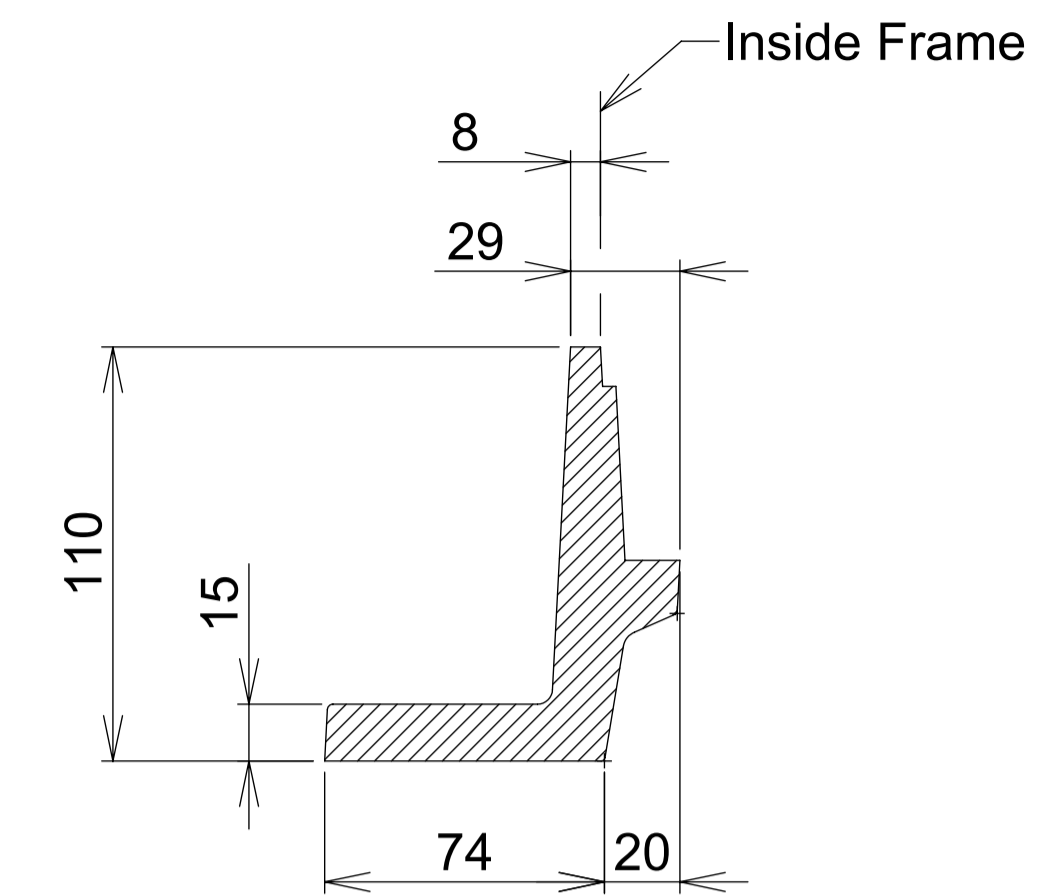


**Frame**

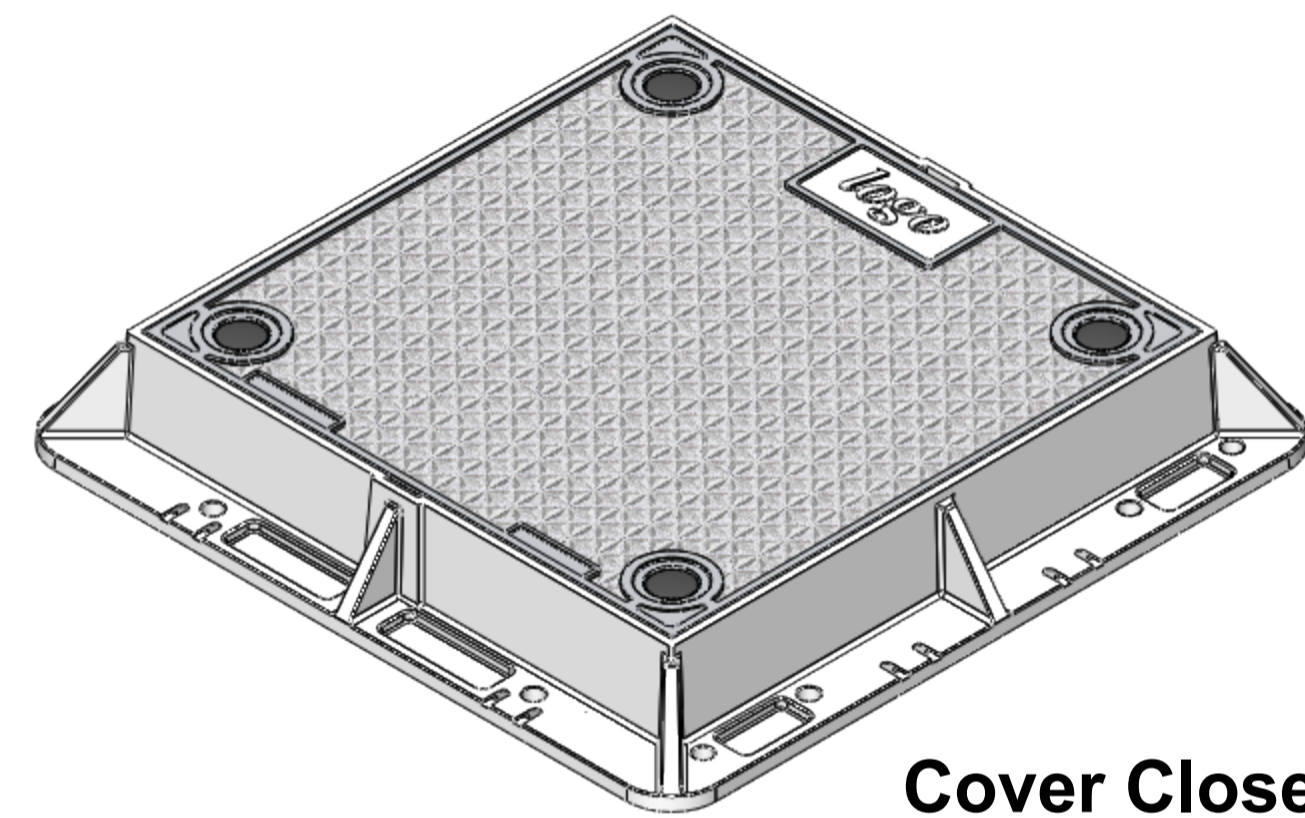


30mm Sq - Raised Tetrahedron Tread Pattern

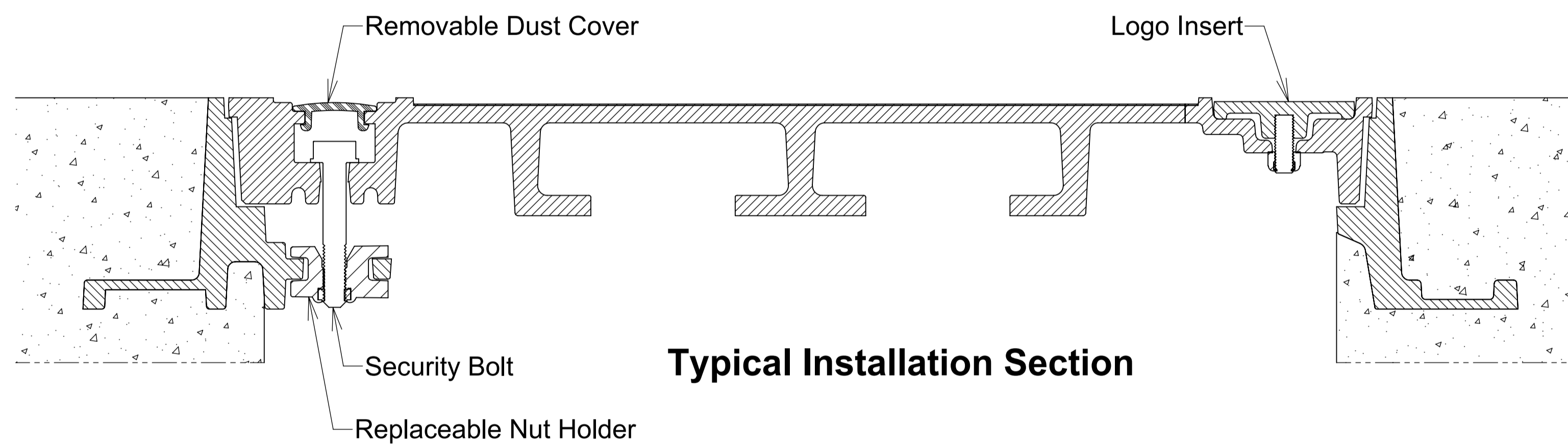
**Cover**



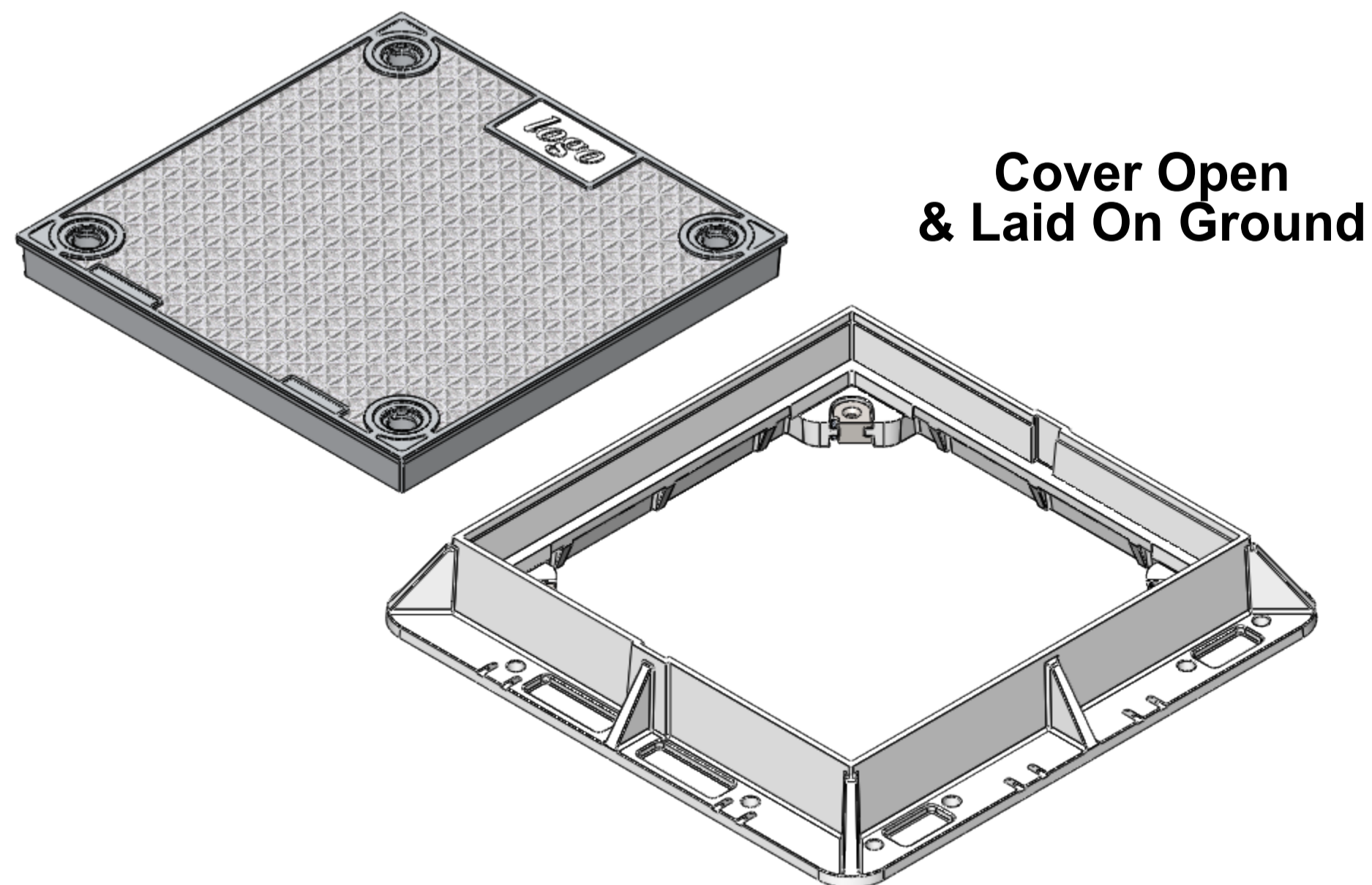
**Section A-A  
Typ Frame**



**Cover Closed  
& Locked**

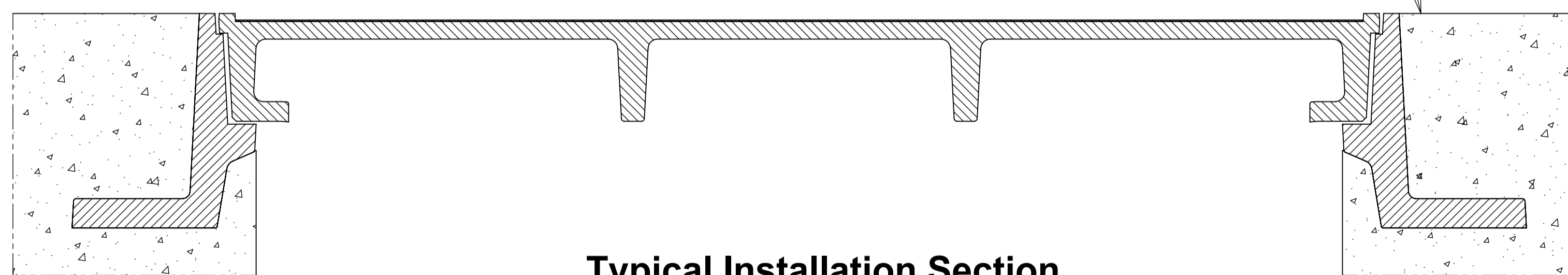


**Typical Installation Section**



**Cover Open  
& Laid On Ground**

Frame Set In 300 x 300  
Minimum Concrete Nib  
On All Four Sides



**Typical Installation Section**

**Masses:**  
Frame = 20 kg  
Cover = 21 kg

**Refer Sika Installation Guide**

Issue:	Issued By:	Chkd By:	Appvd By:	Date:
A	GS	.	.	10-09-02
Released For Catalogue				
B	HH	.	.	01-03-03
Title Change				
C	NL	.	.	19-08-09
Redrawn To Match As Built				
Recorded: Was D-30606-01				
D	db	.	.	19-04-16
Minimum Concrete Nib was 200 x 200				
E	db	.	.	31-08-21
Reviewed and Updated				

CLIENT

PROJECT:  
**Aluminium Security  
Access Cover Set**

**To Class D210kN Loads  
To AS 3996: 2006**

TITLE:  
**Bolted Cover Set  
600 x 600 Solid Top**



PO Box 58-491, Greenmount  
Auckland, New Zealand.  
Phone: +64 09 274 5929  
Fax: +64 09 273 9509  
Email: info@sikatech.co.nz  
Website: www.sikatech.co.nz

COPYRIGHT RESERVED ©

THIS INFORMATION IS HIGHLY CONFIDENTIAL  
& IS THE EXCLUSIVE PROPERTY OF  
SIKA TECHNOLOGY LIMITED.

Unless Specified:  
All Dimensions In Millimeters  
Drawn to AS 1100

Drawn By:	N Lush	Date:	10-09-02
Engineer:	G Spain	Date:	10-09-02
Checked By:		Date:	
Approved By:		Date:	
Drg Size:	A1	Sht:	1
SCALE At A1:	1:10	Of:	1
Drg No:	<b>D210-303-0606-ST-A00</b>		