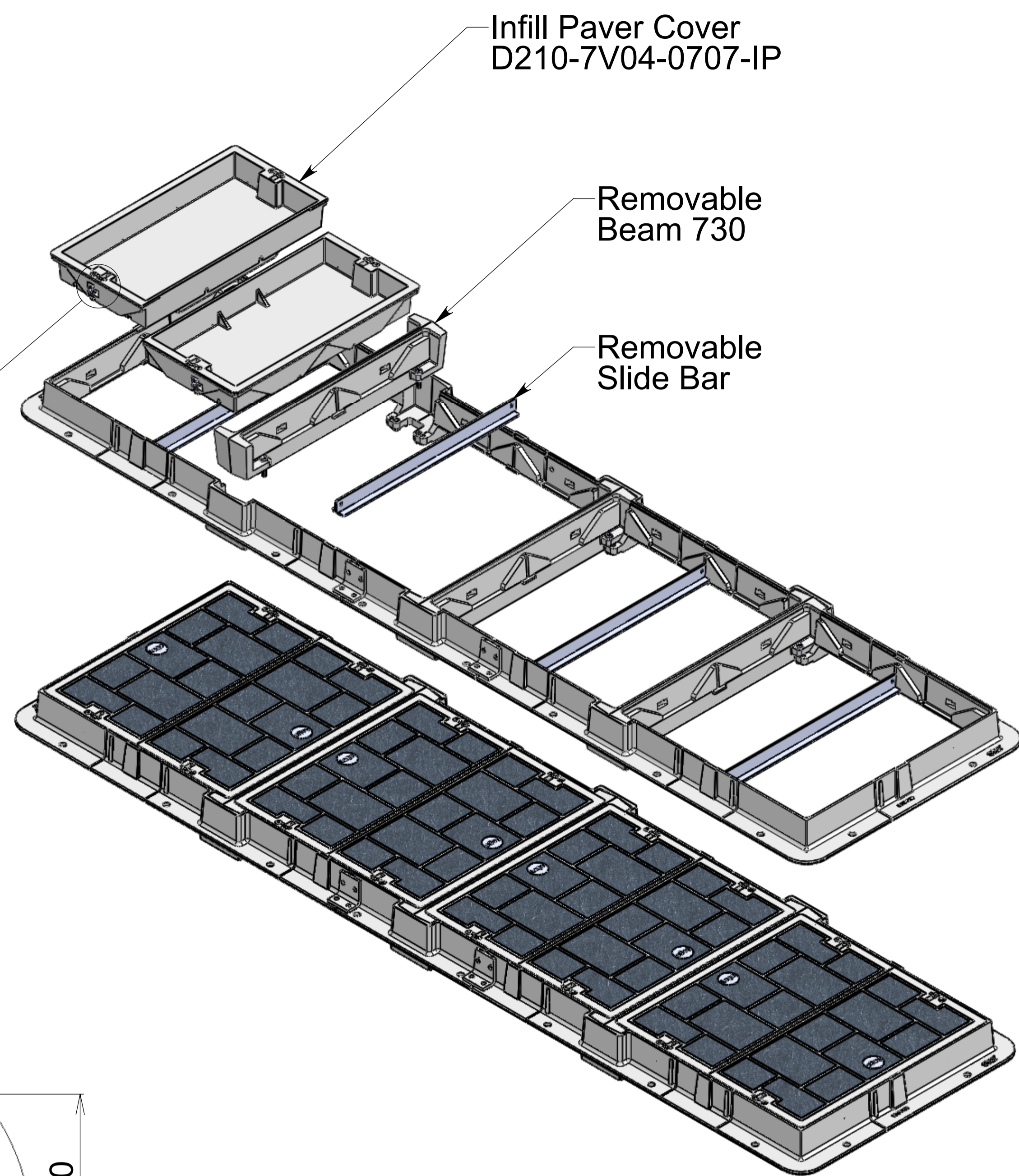


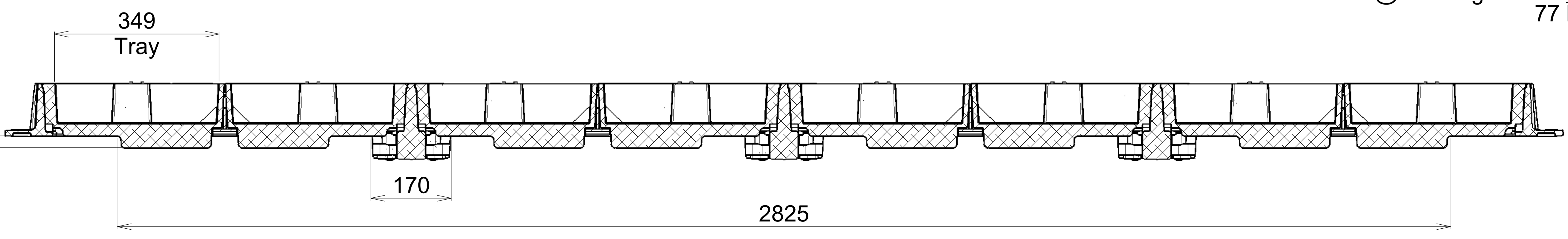
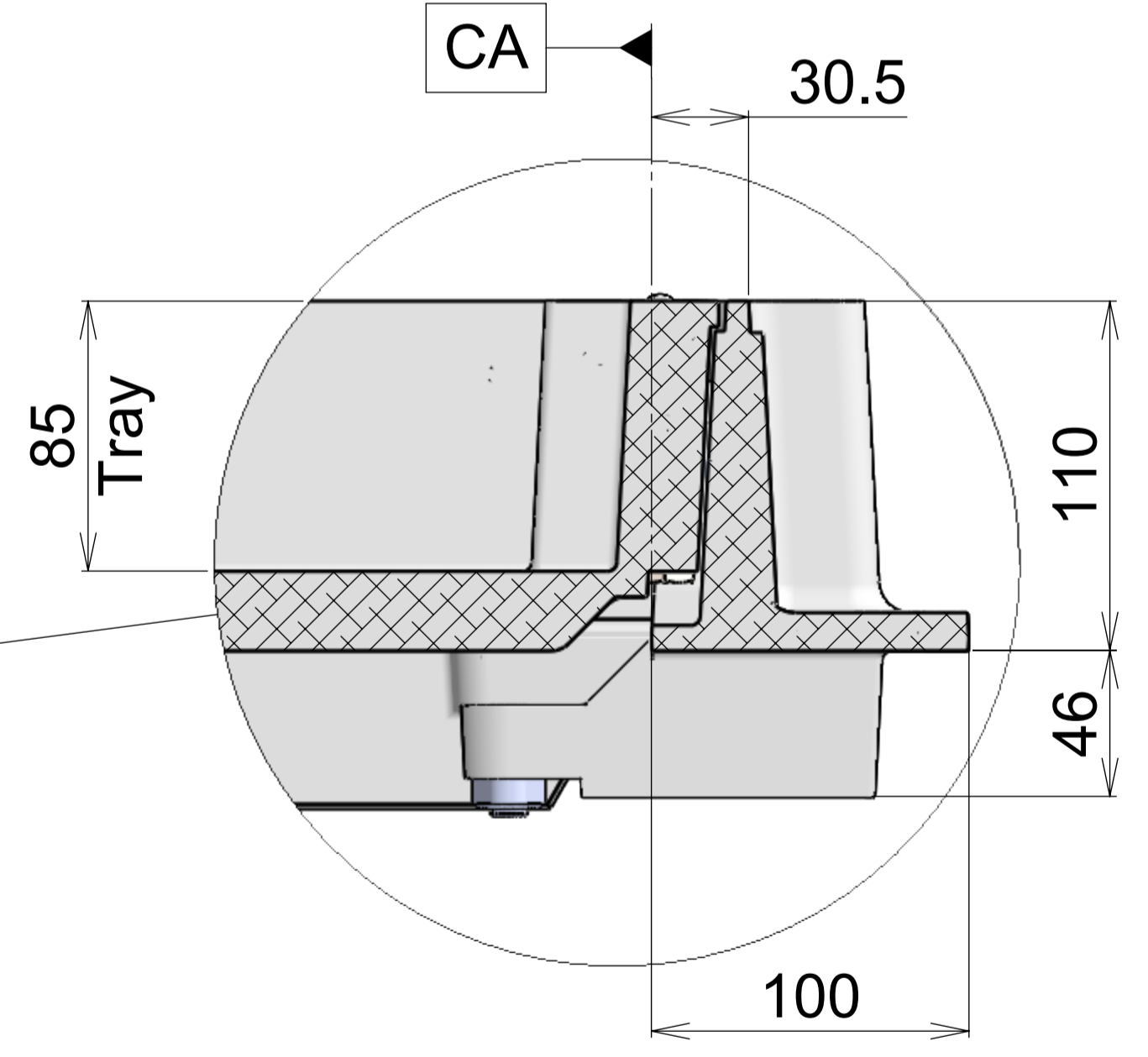
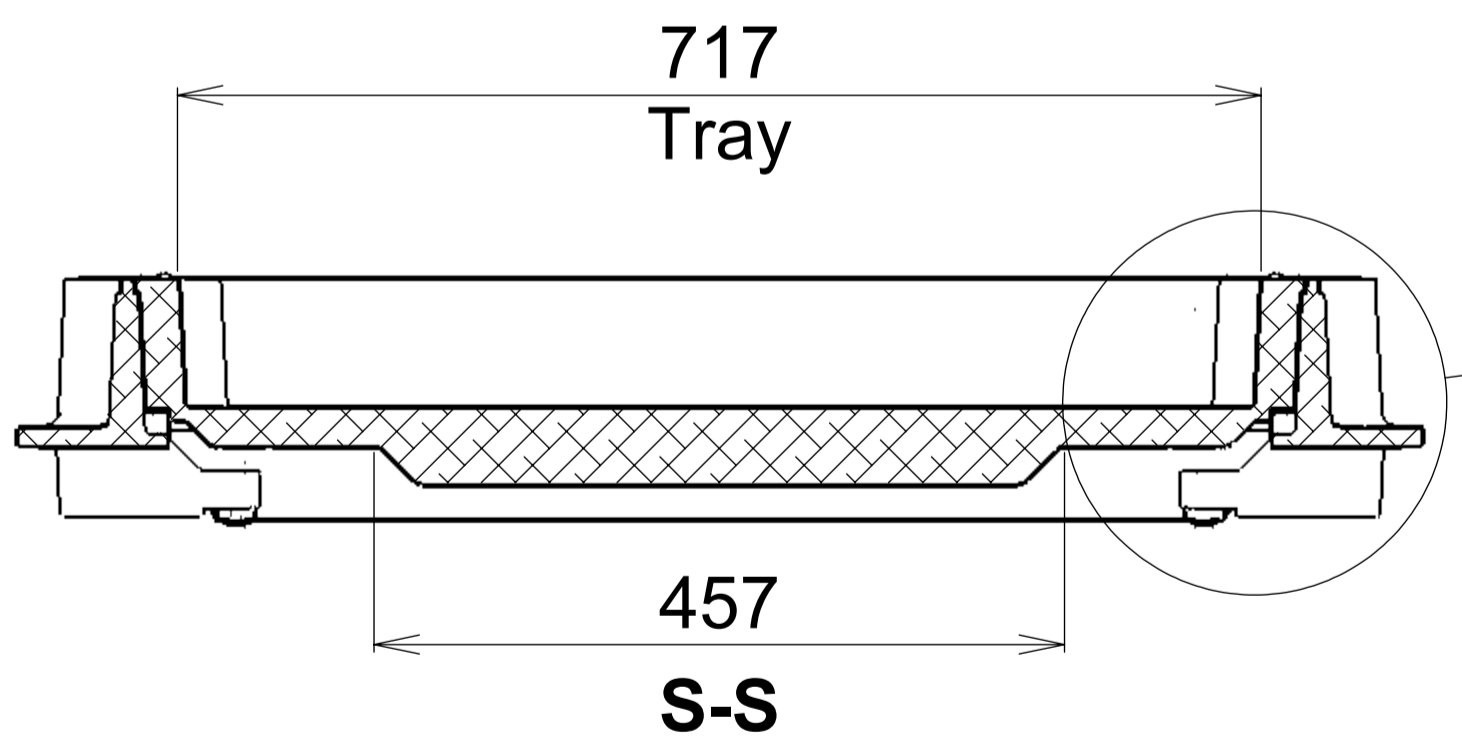
QT Latch
Operate with M10 Hex Key
(Secured to the Cover)



Infill Paver Cover
D210-7V04-0707-IP

Removable
Beam 730

Removable
Slide Bar



COMPONENT MASS

FRAME: 75 kg
BEAM: 16 kg

EMPTY COVER: 30 kg
FILL@ 2300 kg/m³: 47 kg
77 kg

Issue:	Issued By:	Or No:	Appvd By:	Date:
A	sfc	.	.	23-10-19
Released For Manufacture				

CLIENT
.

PROJECT:
**Aluminium Security
Access Cover Set**

To Class D210kN Loads
To AS 3996 : 2006

TITLE:
**QT Latched VLoc Cover Set
700 x 3000 Infill Paver**



PO Box 58-491, Greenmount
Auckland, New Zealand.
Phone: +64 +9 274 5929
Fax: +64 +9 273 9509
Email: info@sikatech.co.nz
Website: www.sikatech.co.nz
COPYRIGHT RESERVED ©

THIS INFORMATION IS HIGHLY CONFIDENTIAL
& IS THE EXCLUSIVE PROPERTY OF
SIKA TECHNOLOGY LIMITED.

Unless Specified:
All Dimensions In Millimeters
Drawn to AS 1100

Drawn By:	sfc	Date:	23-10-19
Engineer:	DH	Date:	23-10-19
Checked By:		Date:	
Approved By:		Date:	
Drg Size:	A1	Sht:	1
SCALE At A1:	NTS	Of:	1
Drg No:	D210-7V03-0730-IP-A00		