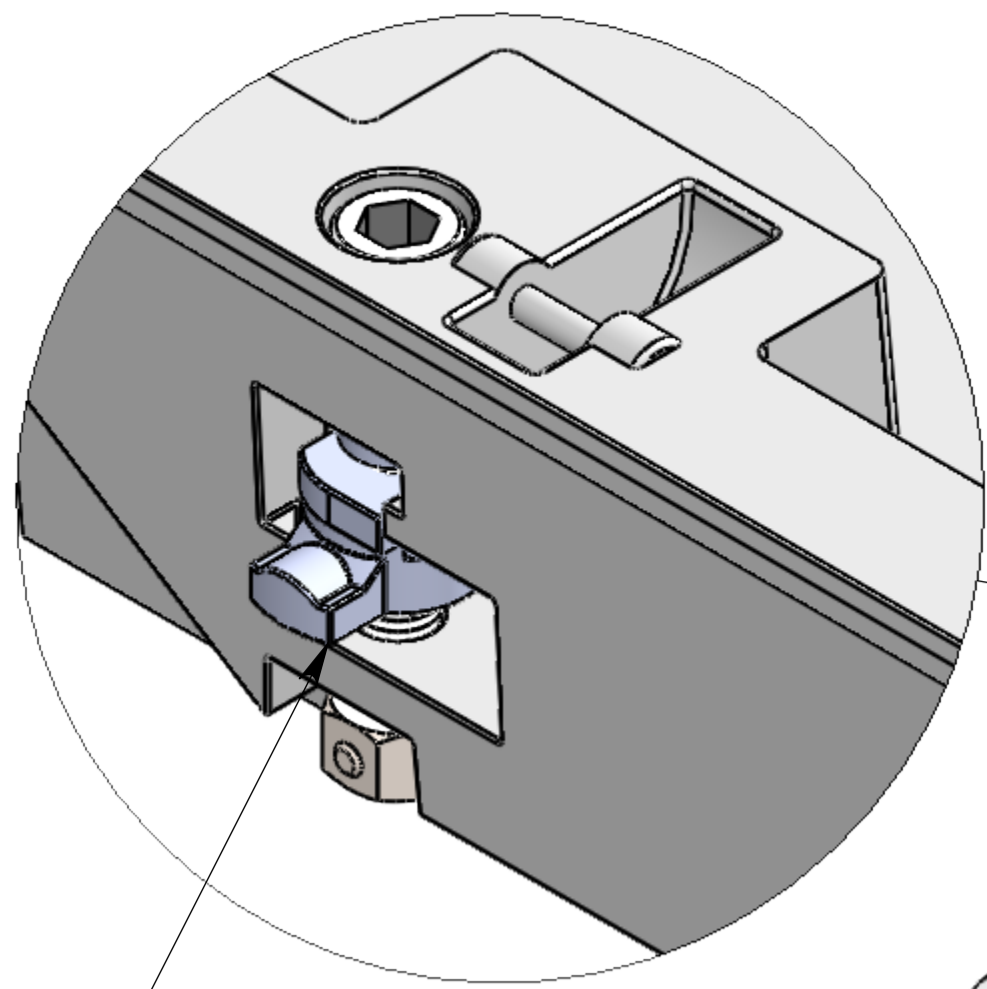
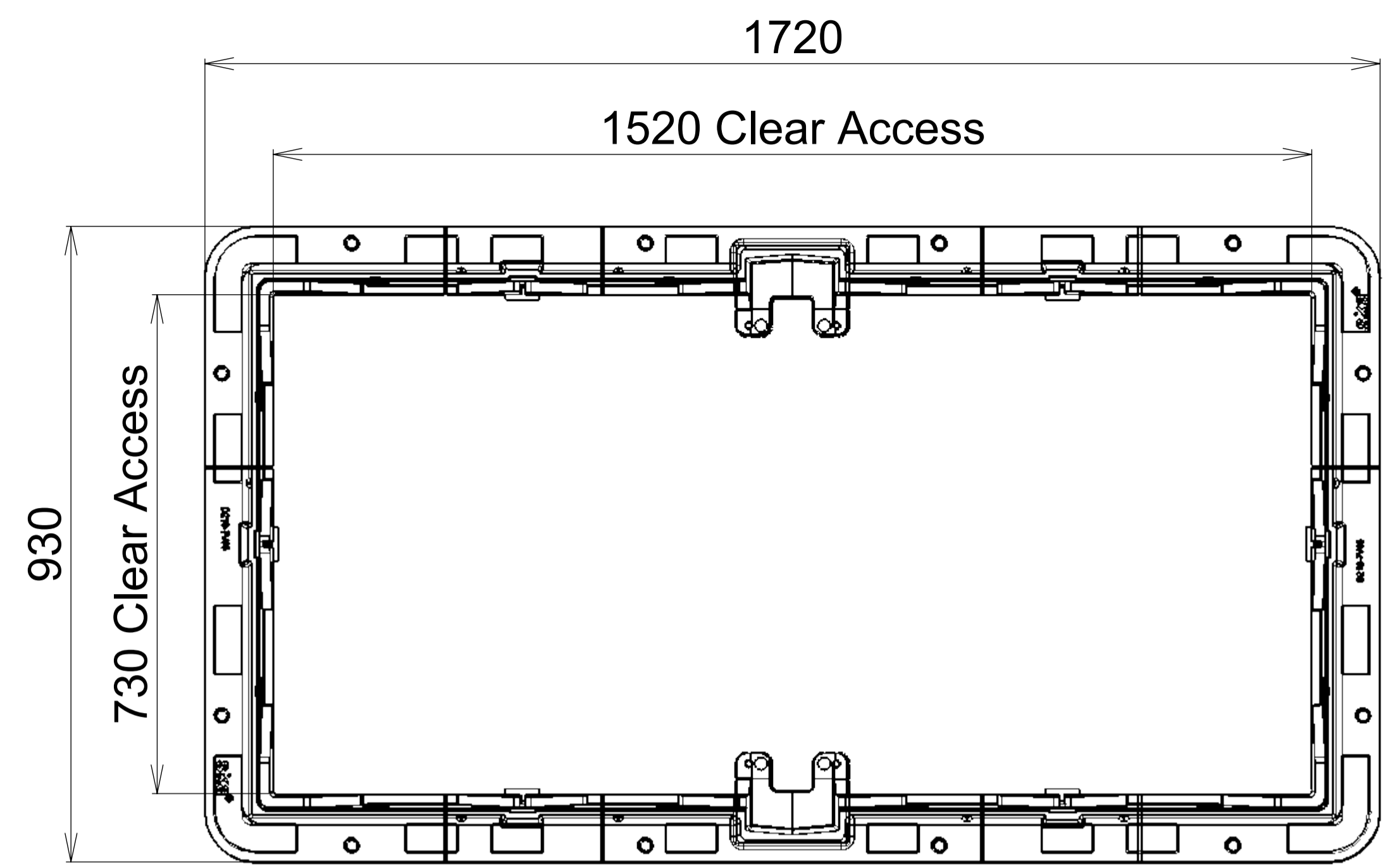
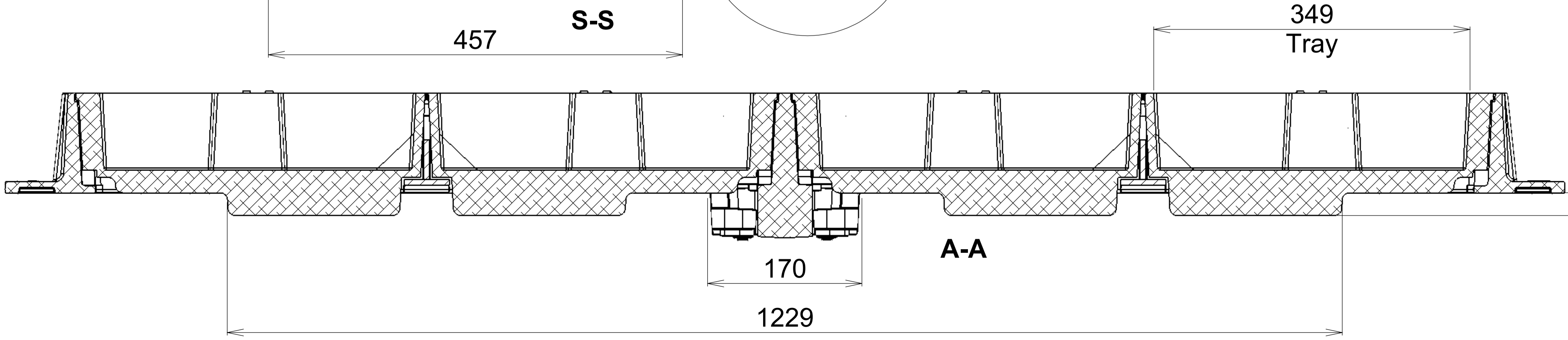
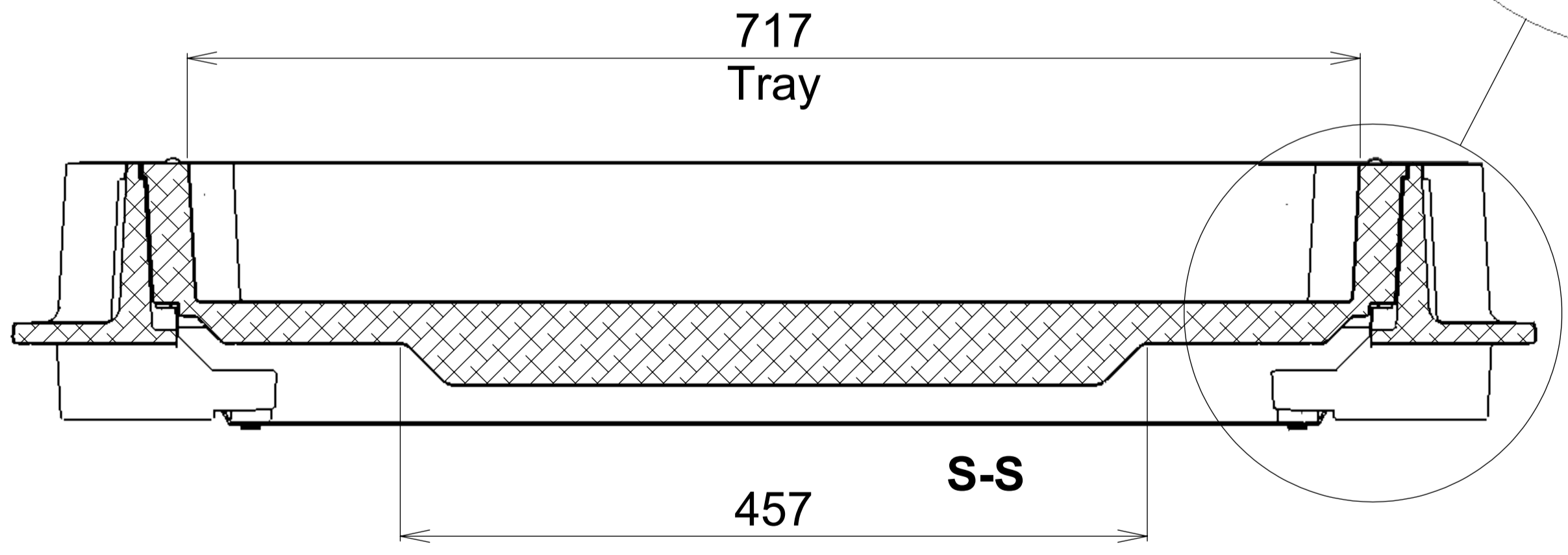
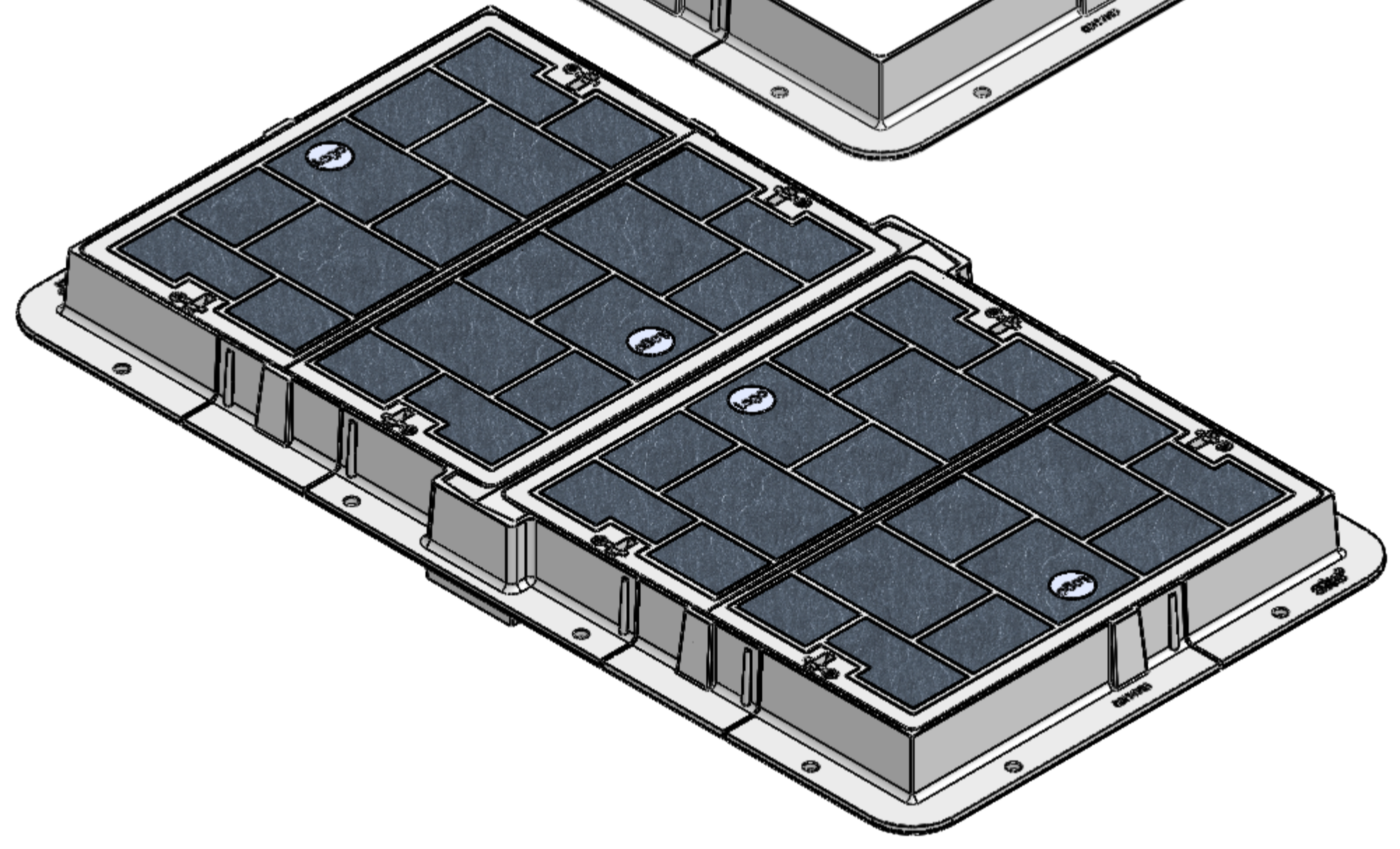
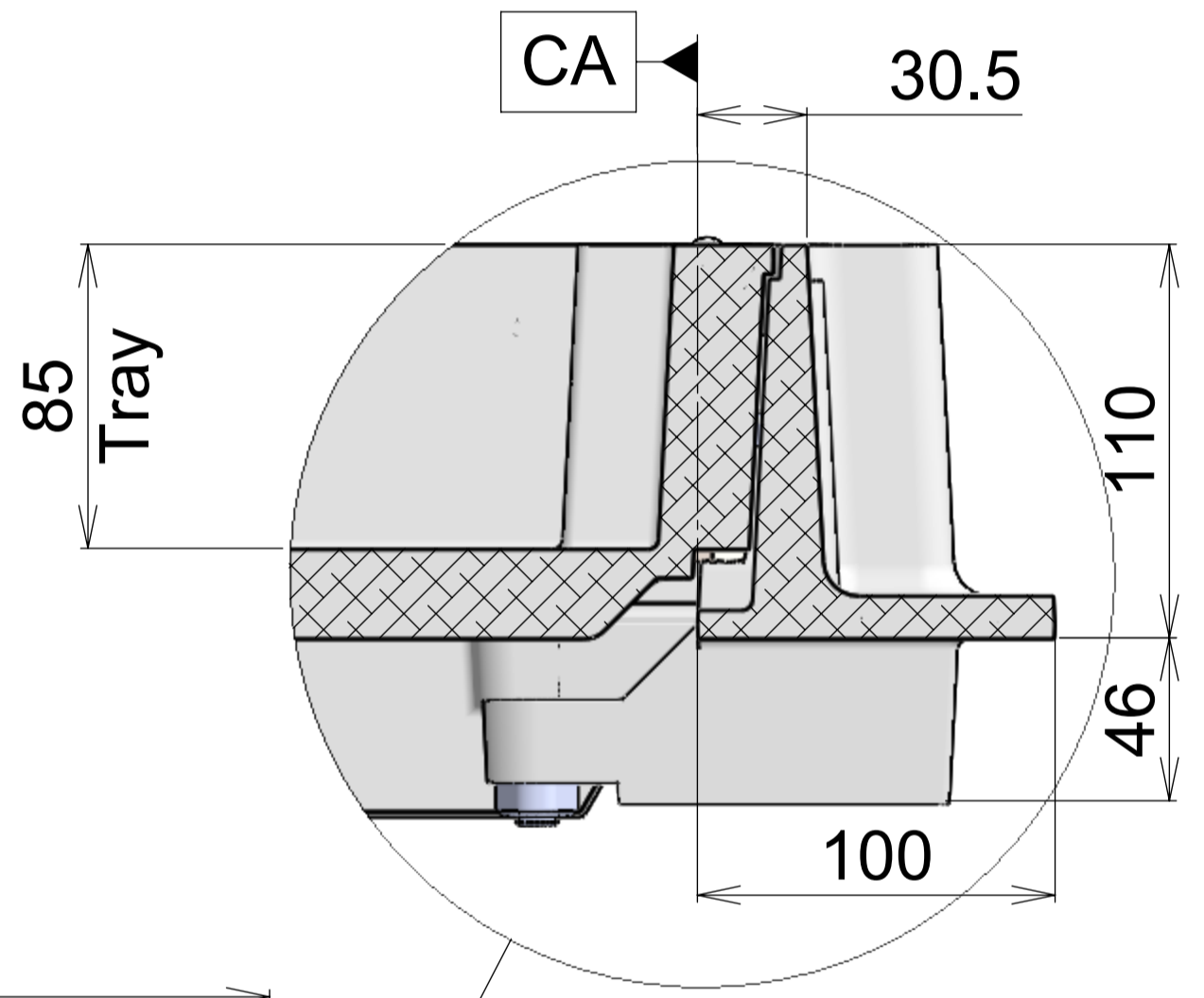
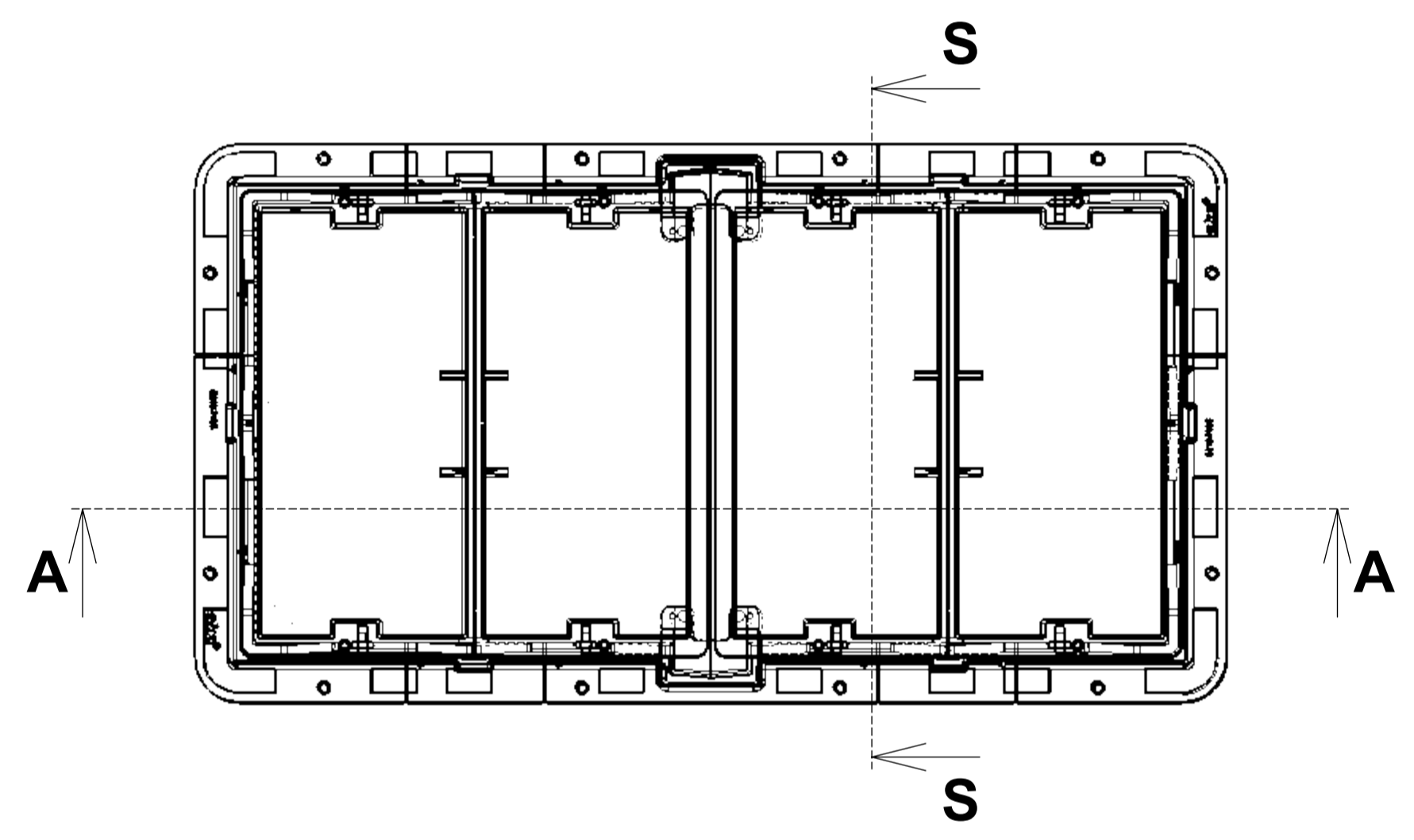
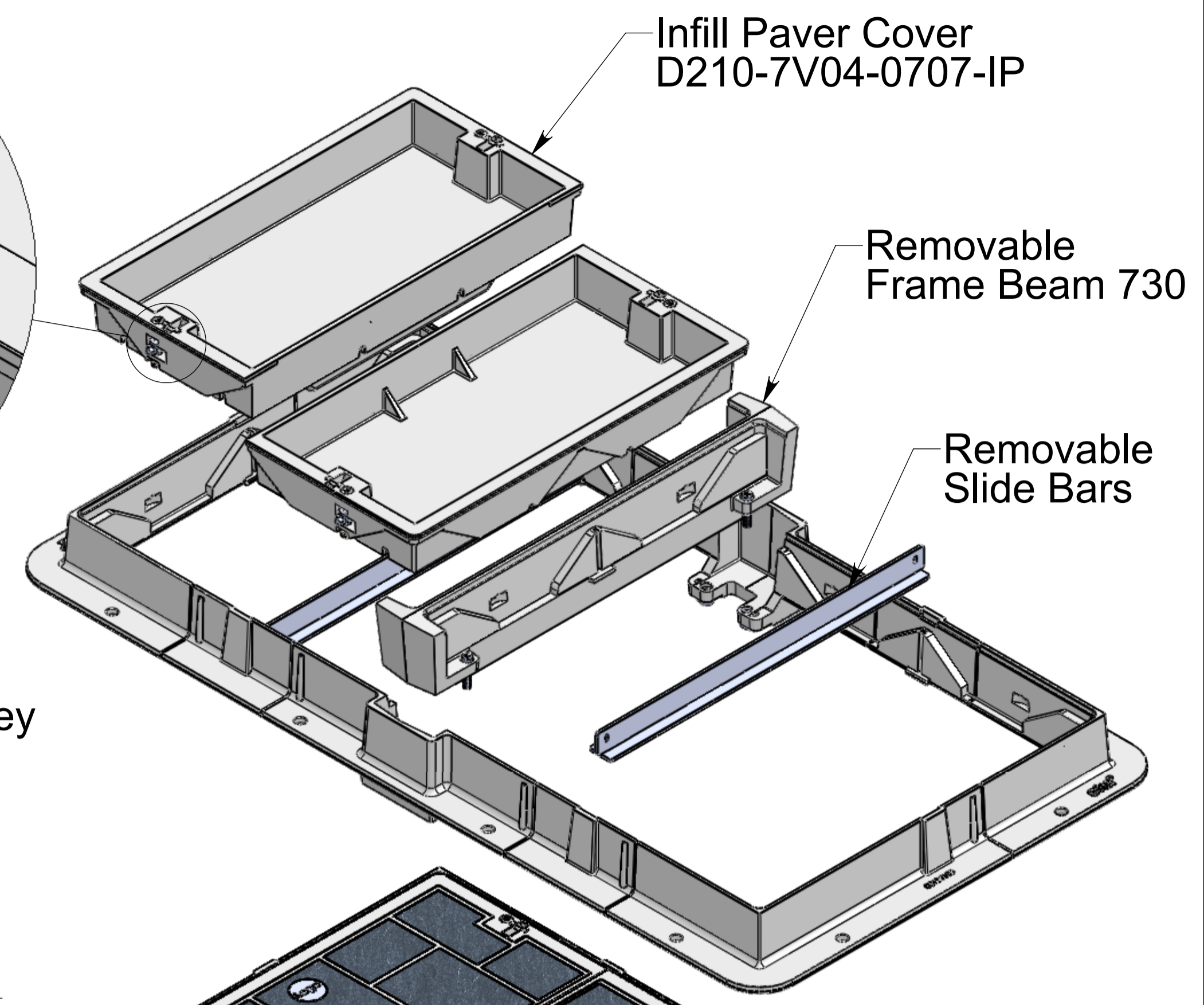


**A** Released For Manufacture



QT Latch  
 Operate with M10 Hex Key  
 (Secured to the Cover)



**COMPONENT MASS**  
 FRAME: 42 kg  
 BEAM: 16 kg  
 EMPTY COVER: 30 kg  
 FILL@ 2300 kg/m3: 47 kg  
 77 kg

CLIENT

PROJECT:  
**Aluminium Security  
 Access Cover Set**

To Class D210kN Loads  
 To AS 3996 : 2006

TITLE:  
**QT Latched VLoc Cover Set  
 700 x 1500 Infill Paver**



PO Box 58-491, Greenmount  
 Auckland, New Zealand.  
 Phone: +64 +9 274 5929  
 Fax: +64 +9 273 9509  
 Email: info@sikatech.co.nz  
 Website: www.sikatech.co.nz  
 COPYRIGHT RESERVED ©

THIS INFORMATION IS HIGHLY CONFIDENTIAL  
 & IS THE EXCLUSIVE PROPERTY OF  
 SIKA TECHNOLOGY LIMITED.

Unless Specified:  
 All Dimensions In Millimeters  
 Drawn to AS 1100

Drawn By:	sfc	Date:	23-10-19
Engineer:	DH	Date:	23-10-19
Checked By:		Date:	
Approved By:		Date:	
Drg Size:	A1	Sht:	1
SCALE At A1:	NTS	Of:	2
Drg No:	<b>D210-7V03-0715-IP-A00</b>		

Issue:	Issued By:	Or No:	Appvd By:	Date:
A	sfc	.	.	23-10-19
Released For Manufacture				

CLIENT

PROJECT:  
**Aluminium Security  
 Access Cover Set**

To Class D210kN Loads  
 To AS 3996 : 2006

TITLE:  
**QT Latched VLoc Cover Set  
 700 x 1500 Infill Paver**

CLIENT

PROJECT:  
**Aluminium Security  
 Access Cover Set**

To Class D210kN Loads  
 To AS 3996 : 2006

TITLE:  
**QT Latched VLoc Cover Set  
 700 x 1500 Infill Paver**

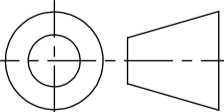


PO Box 58-491, Greenmount  
 Auckland, New Zealand.  
 Phone: +64 +9 274 5929  
 Fax: +64 +9 273 9509  
 Email: info@sikatech.co.nz  
 Website: www.sikatech.co.nz

COPYRIGHT RESERVED ©

THIS INFORMATION IS HIGHLY CONFIDENTIAL  
 & IS THE EXCLUSIVE PROPERTY OF  
 SIKA TECHNOLOGY LIMITED.

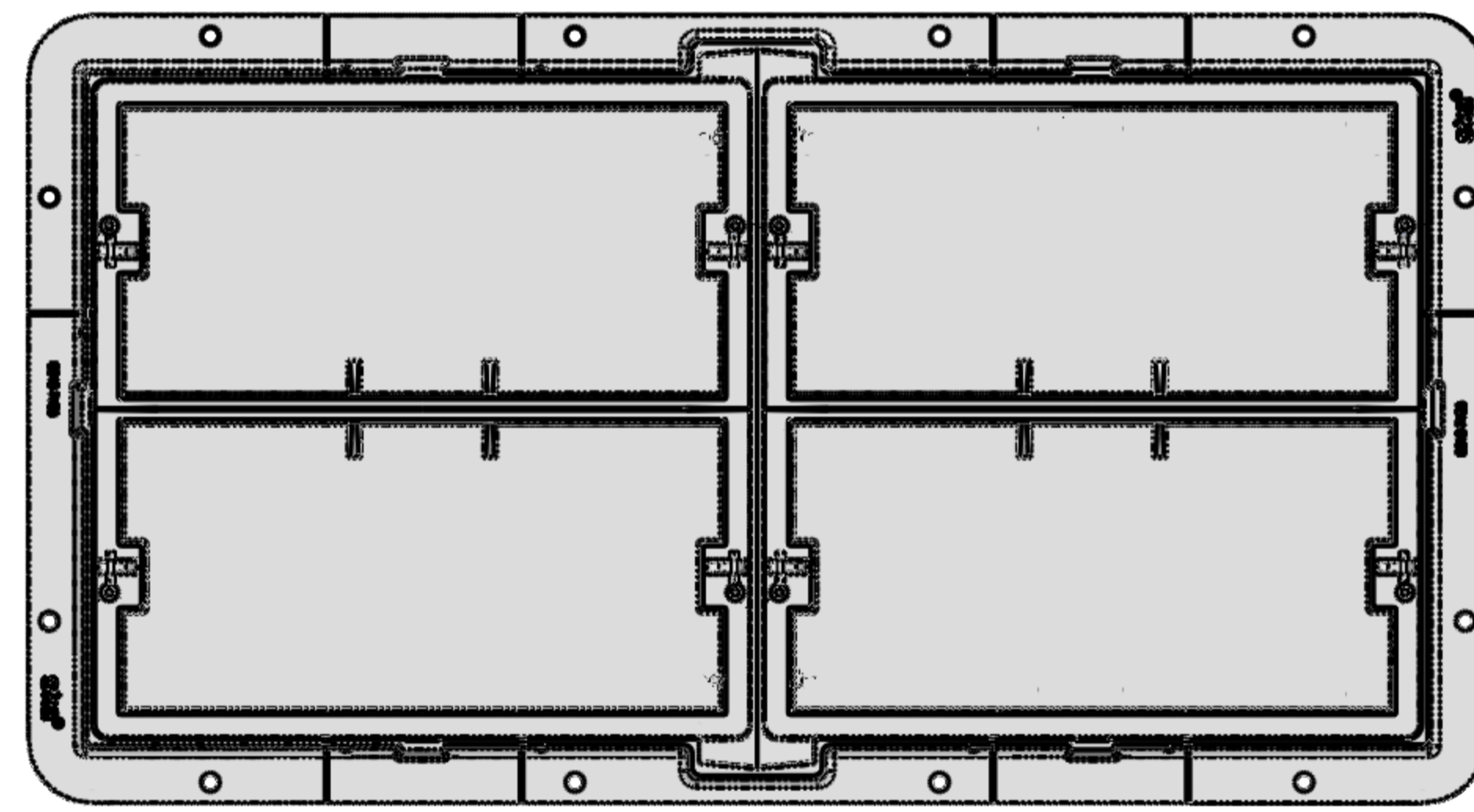
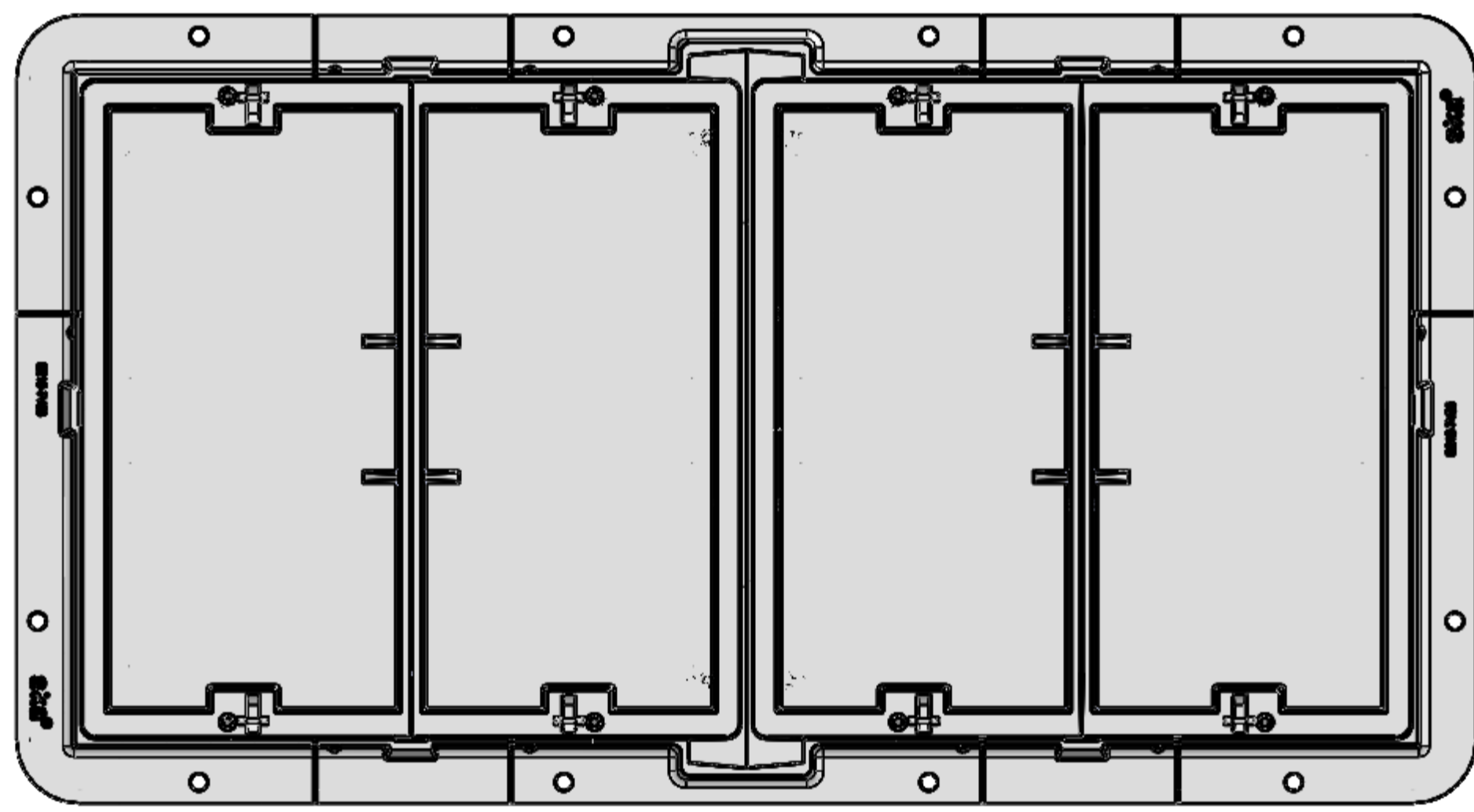
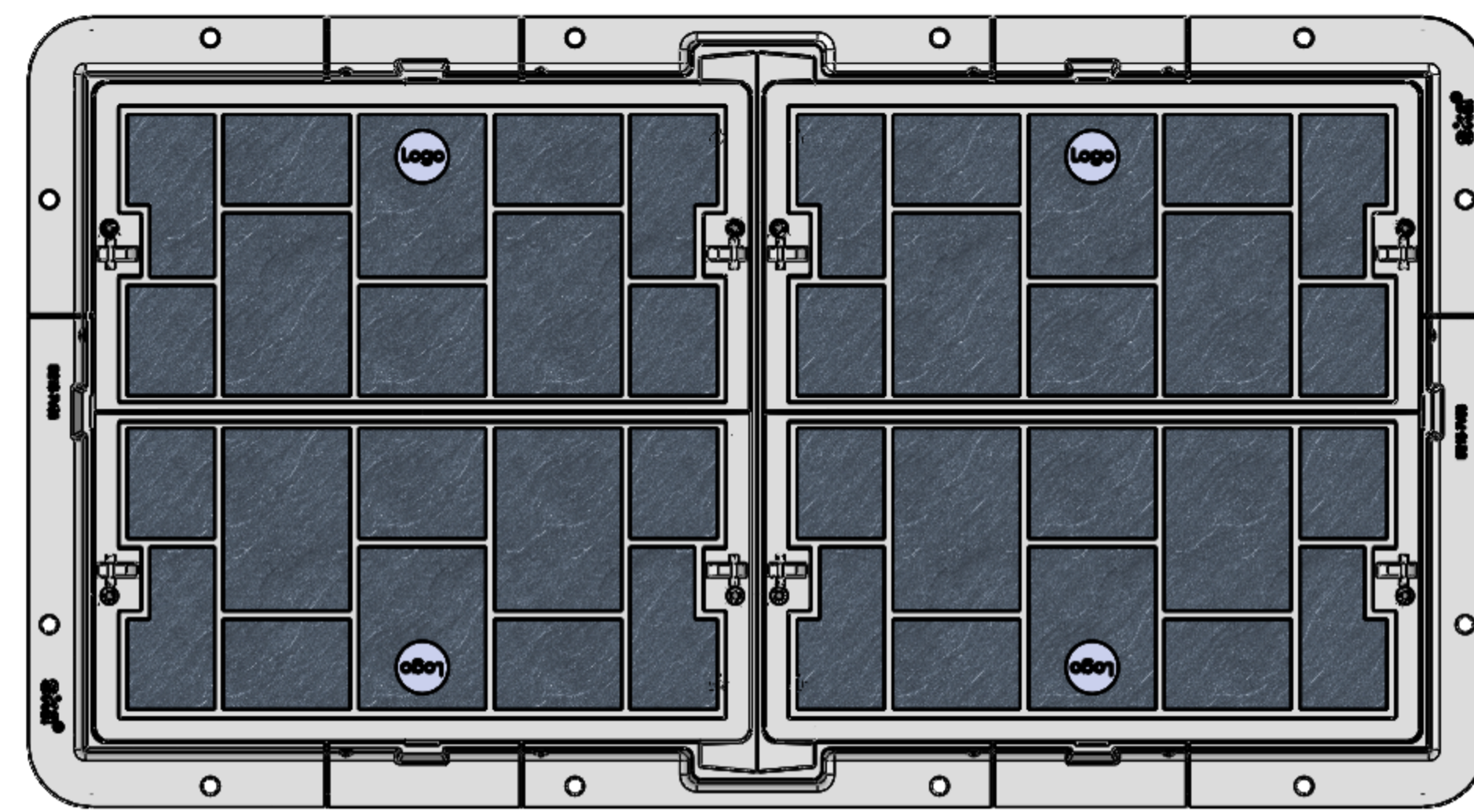
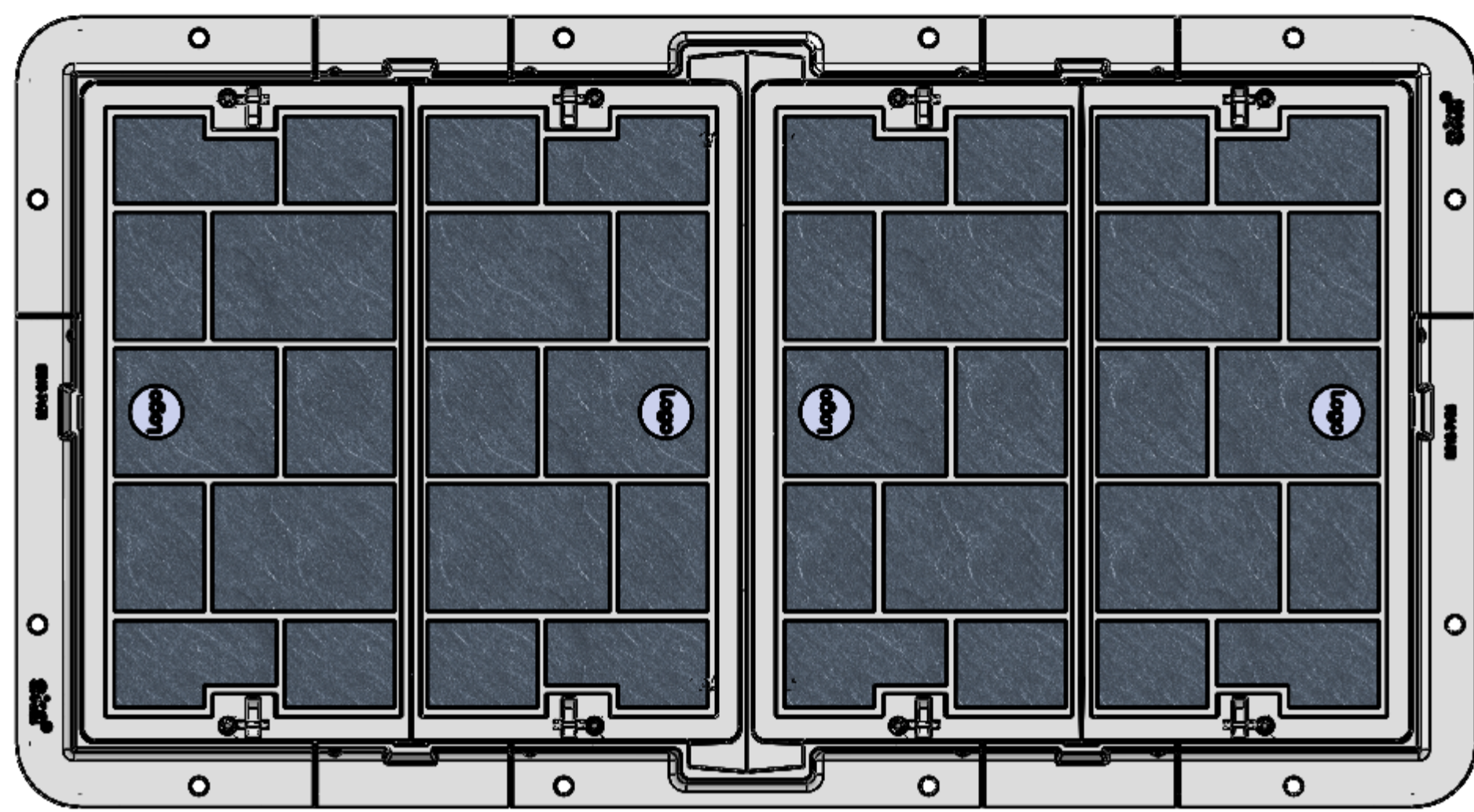
Unless Specified:  
 All Dimensions In Millimeters  
 Drawn to AS 1100



Drawn By:	sfc	Date:	23-10-19
Engineer:	DH	Date:	23-10-19
Checked By:		Date:	
Approved By:		Date:	

Drg Size:	A1	Sht:	2	Iss:
SCALE At A1:	NTS	Of:	2	<b>A</b>

Drg No:  
**D210-7V03-0715-IP-A00**



**Covers May Be Aligned in Either Direction**