

CLIENT

PROJECT:
**Aluminium Security
 Access Cover Set
 Bolted 600 x 1800**
 To Class D 210kN Loads
 To AS 3996:2006

TITLE:
**Bolted Cover Set
 600 x 1800 Solid Top**

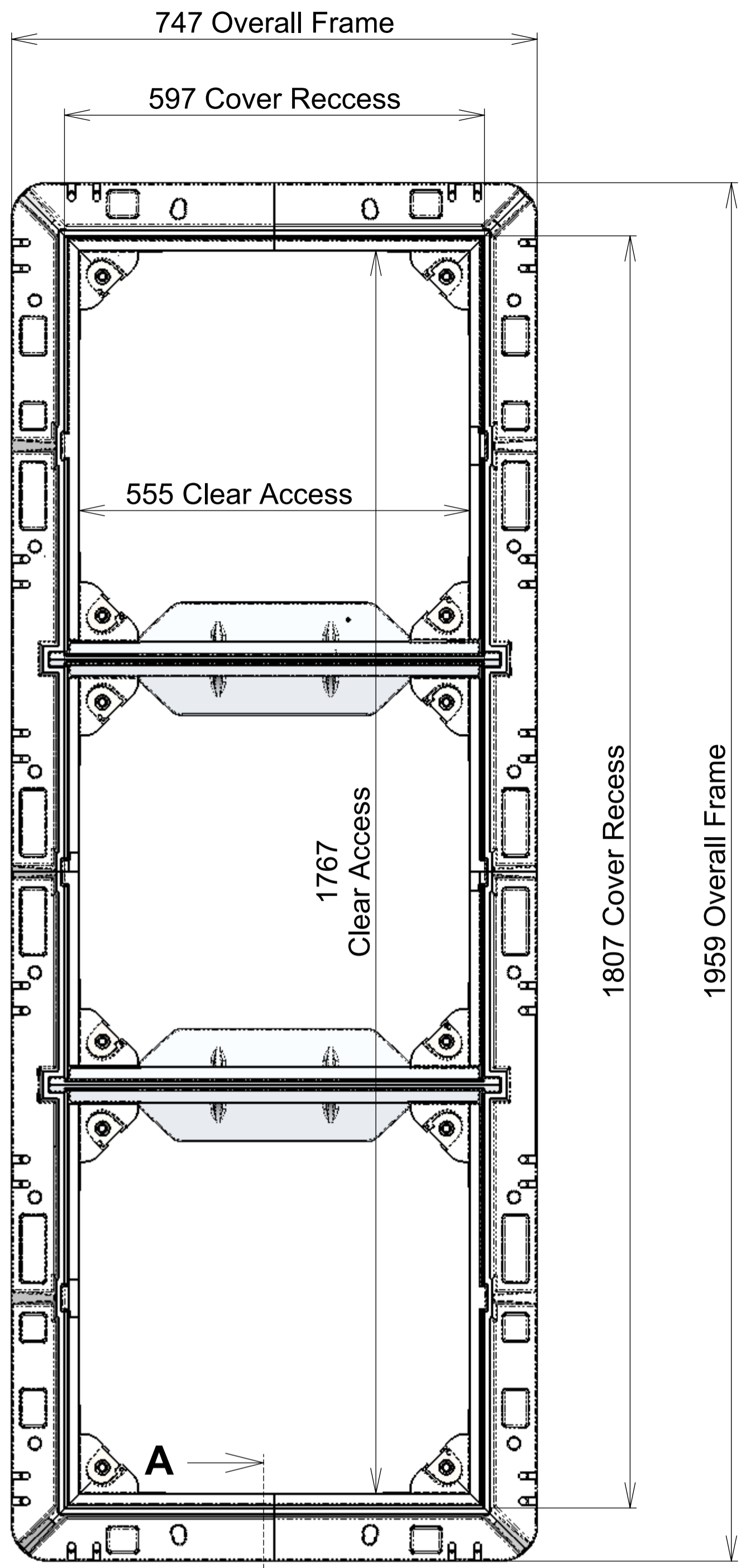


PO Box 58-491, Greenmount
 Auckland, New Zealand.
 Phone: +64 +9 274 5929
 Fax: +64 +9 273 9509
 Email: info@sikatech.co.nz
 Website: www.sikatech.co.nz

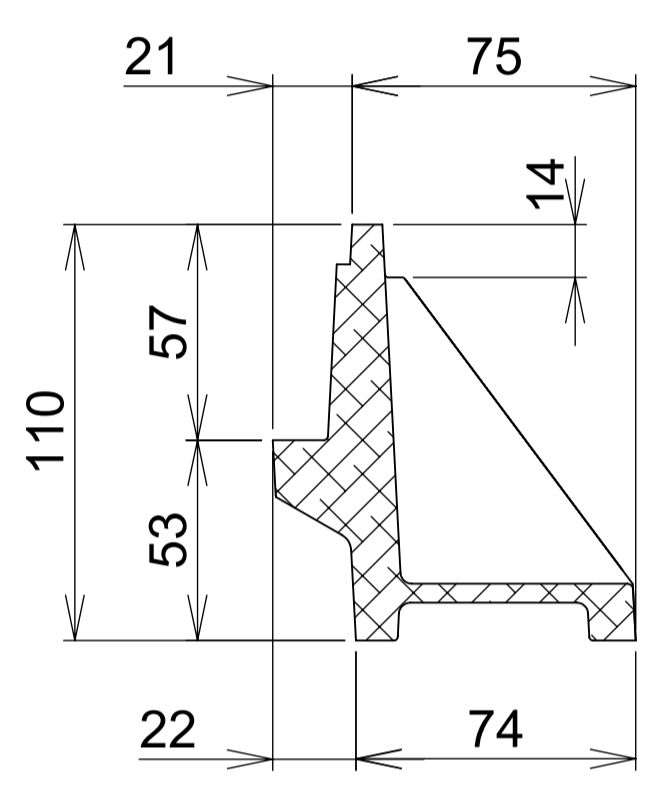
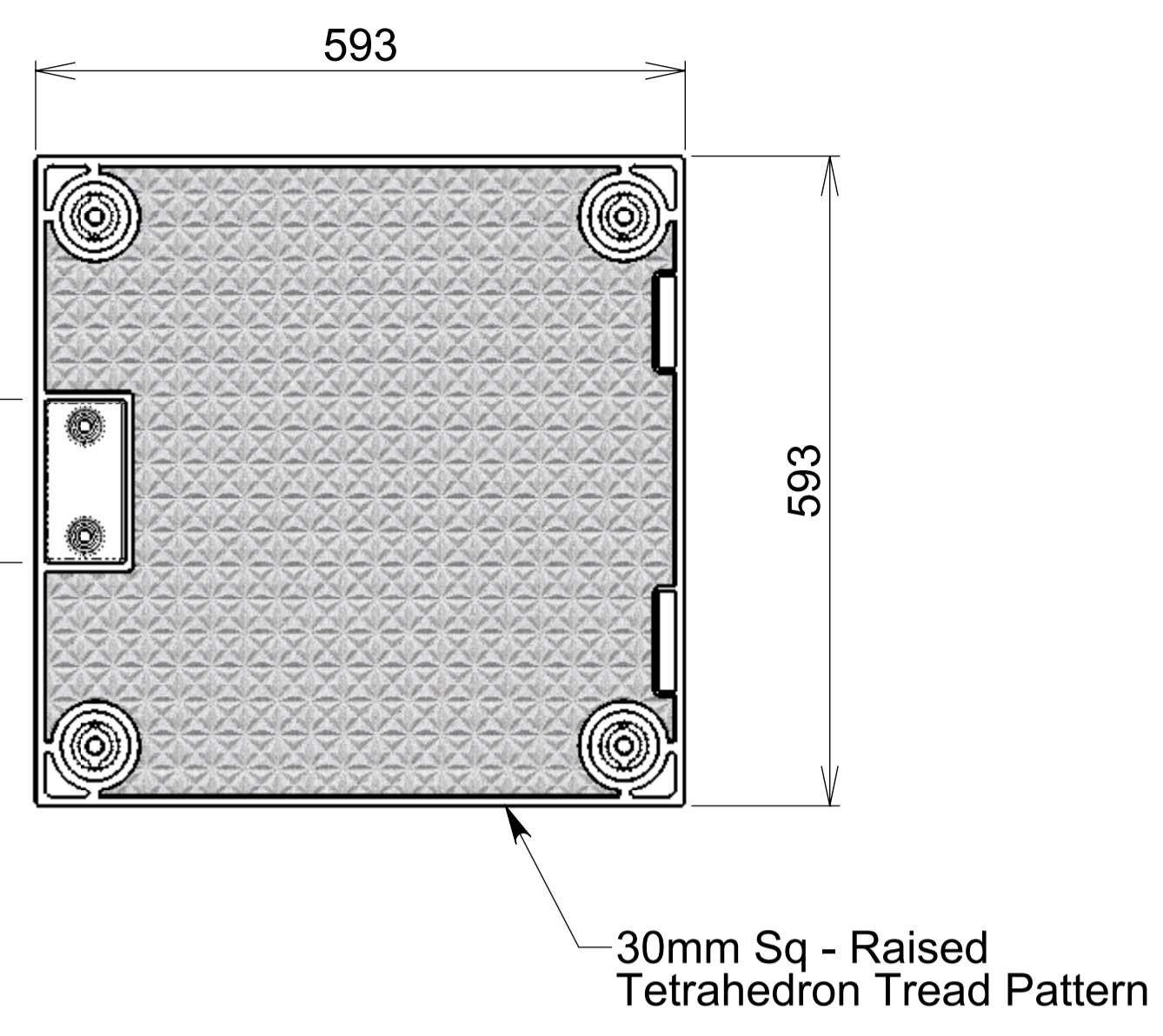
COPYRIGHT RESERVED ©
 THIS INFORMATION IS HIGHLY CONFIDENTIAL
 & IS THE EXCLUSIVE PROPERTY OF
 SIKA TECHNOLOGY LIMITED.

Unless Specified:
 All Dimensions In Millimeters
 Drawn to AS 1100

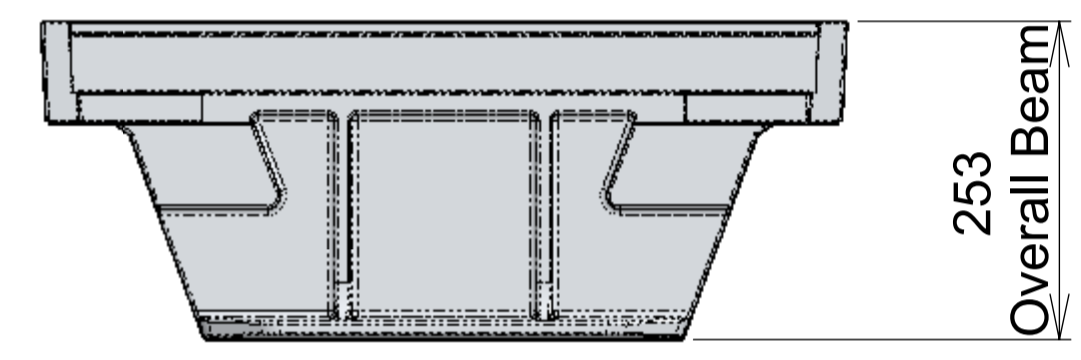
Drawn By:	db	Date:	21-03-16
Engineer:	DH	Date:	21-03-16
Checked By:		Date:	
Approved By:		Date:	
Drg Size:	A1	Sht:	1
SCALE At A1:	1:6	Of:	2
Drg No:	D210-303-0618-ST-A00		



Raised Logo
 To Client's
 Requirements



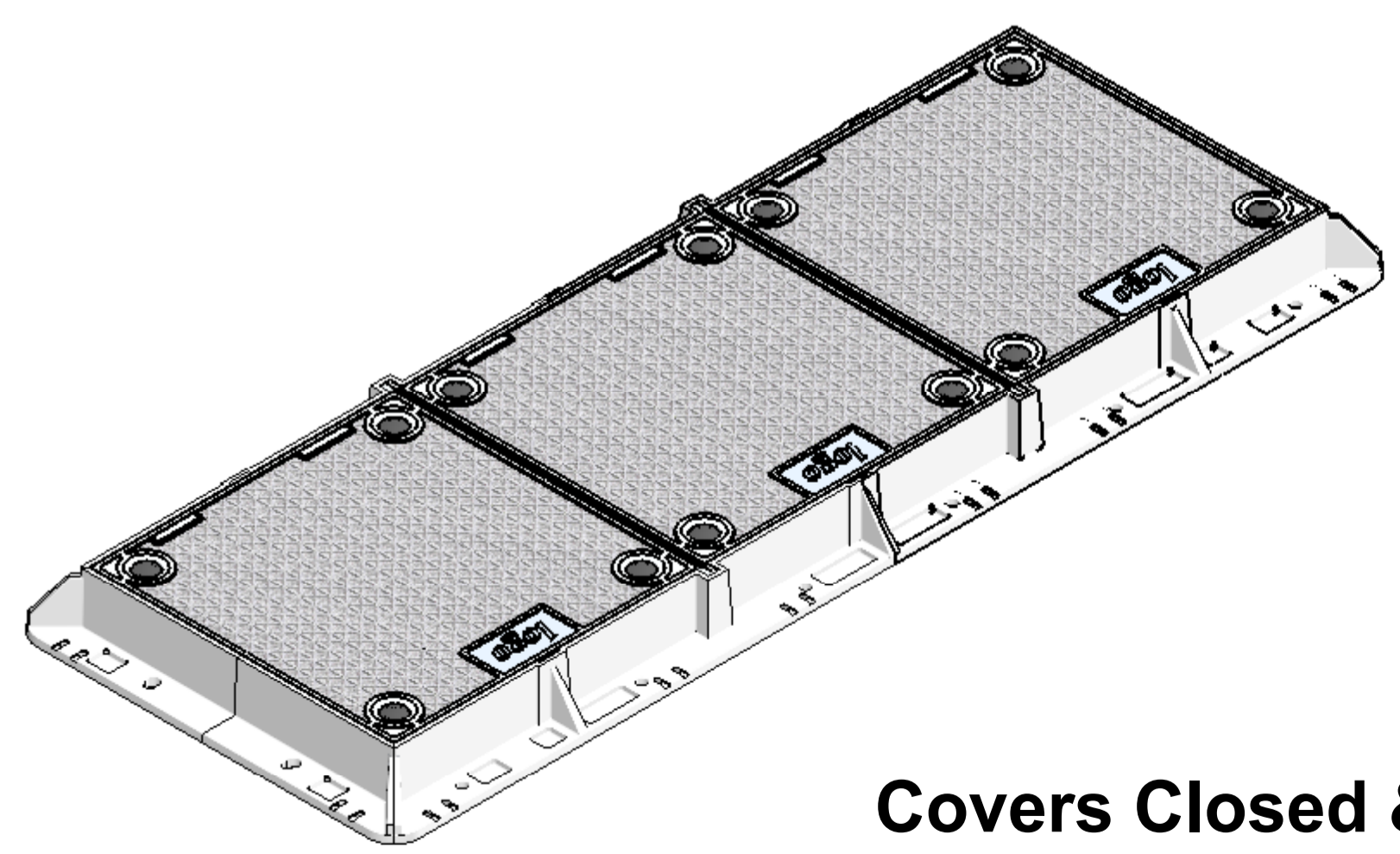
**Section A-A
 Typ Frame**



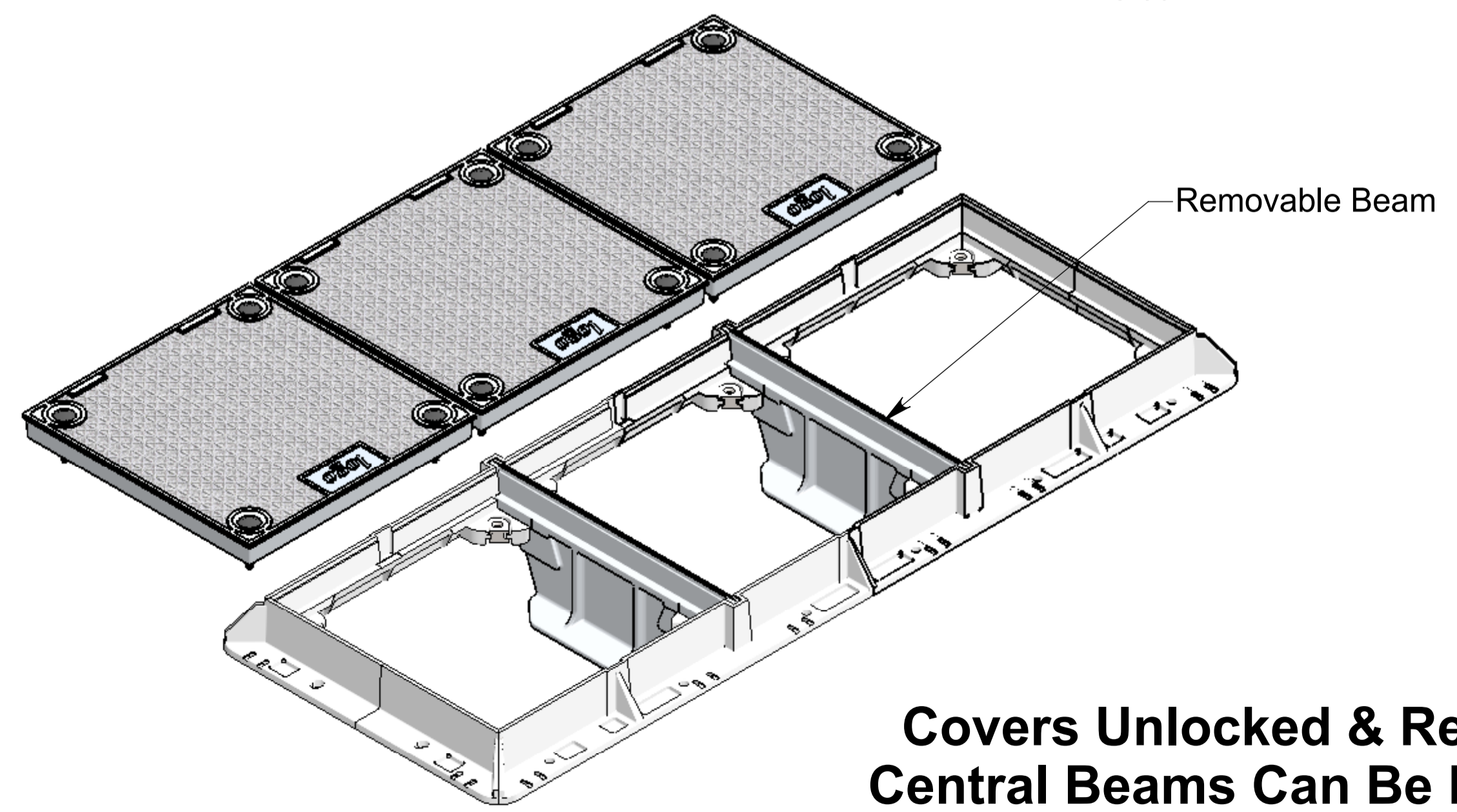
Centre Beam

Masses:

- Frame Assy = 40 kg**
- Cover Assy = 21 kg Each**
- Beam = 10 kg Each**
- Total = 123 kg**



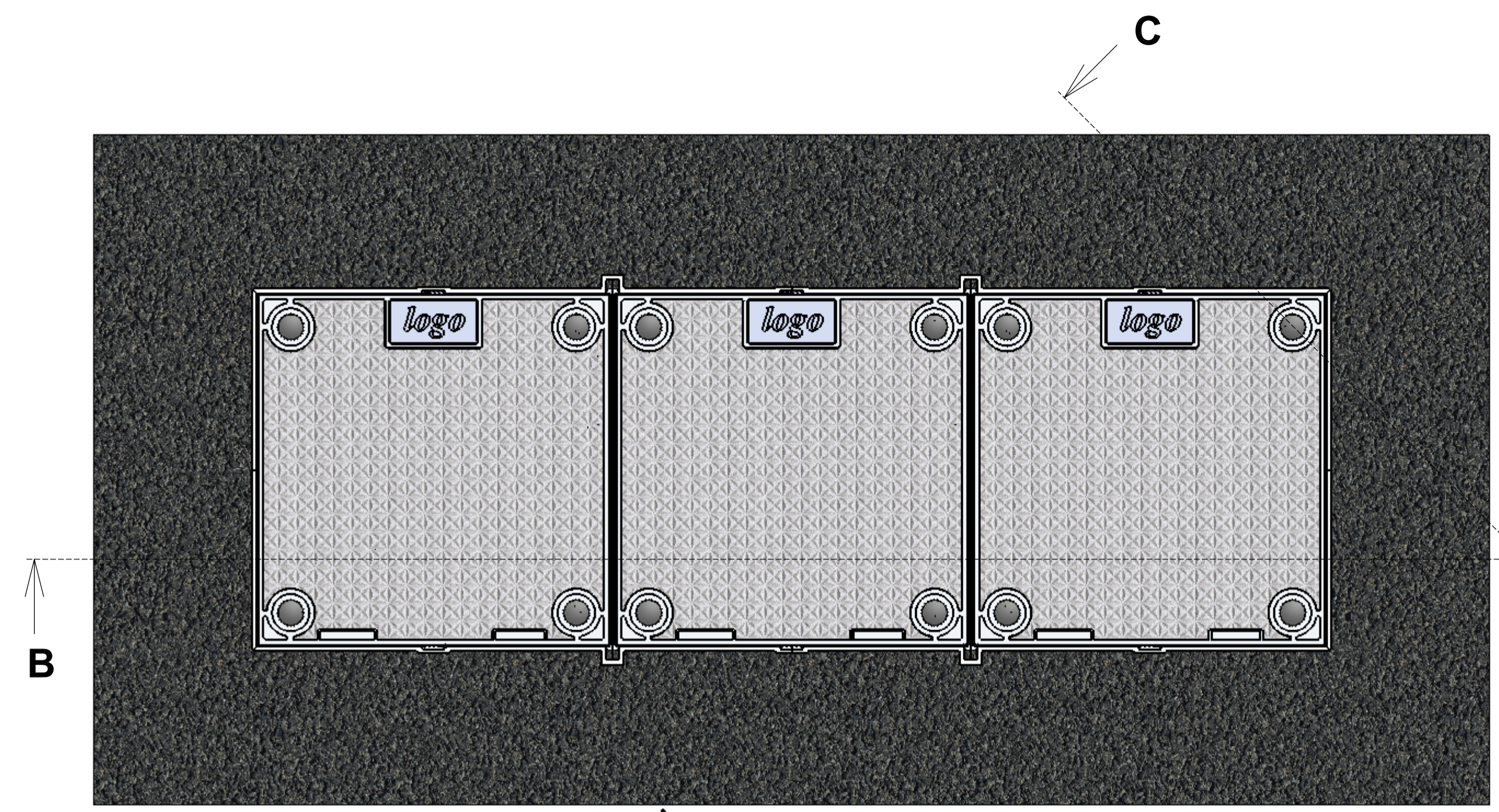
**Covers Closed &
 Securely Bolted Down**



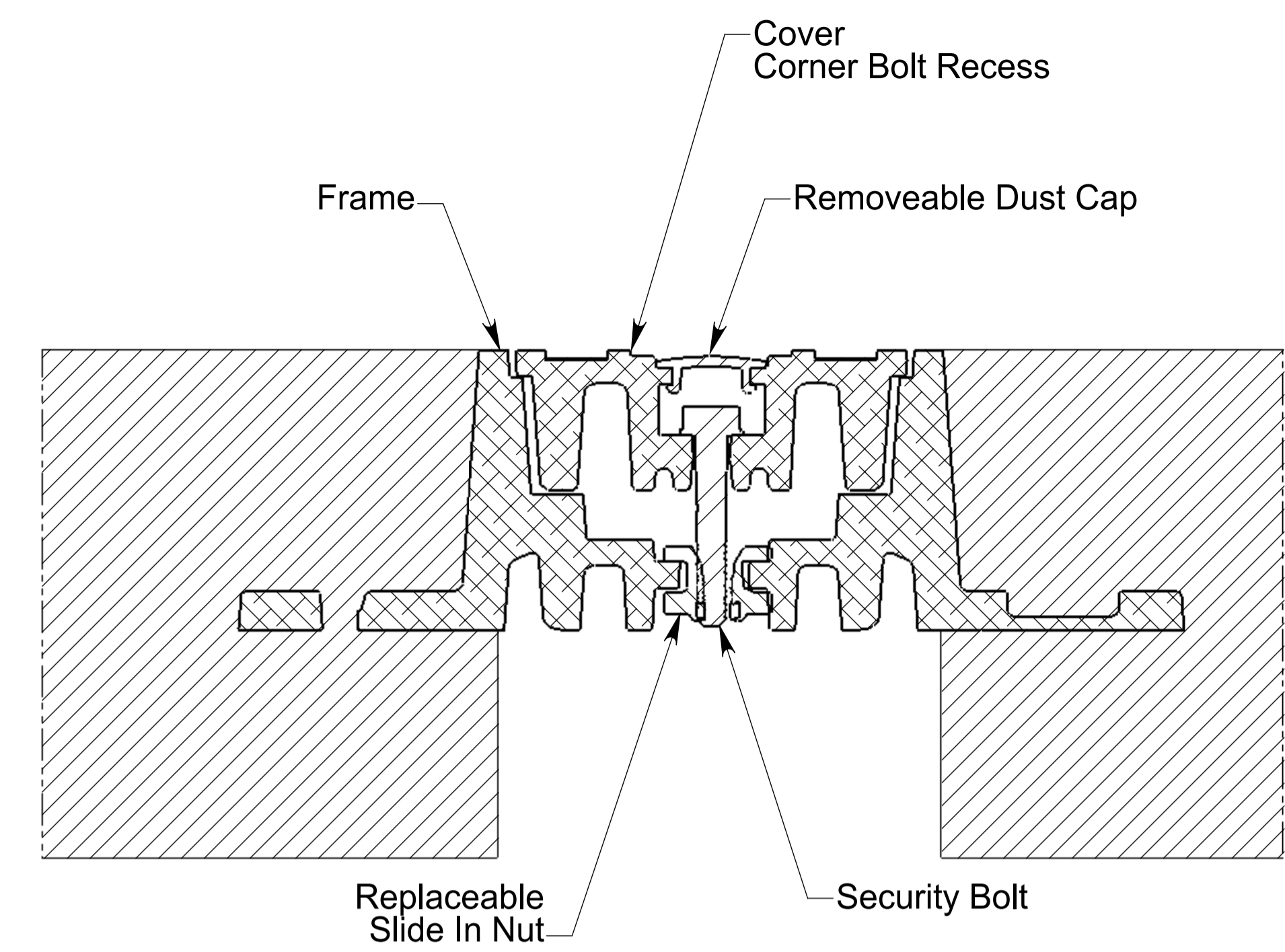
**Covers Unlocked & Removed.
 Central Beams Can Be Removed
 For Access**

Refer Sika Installation Guide

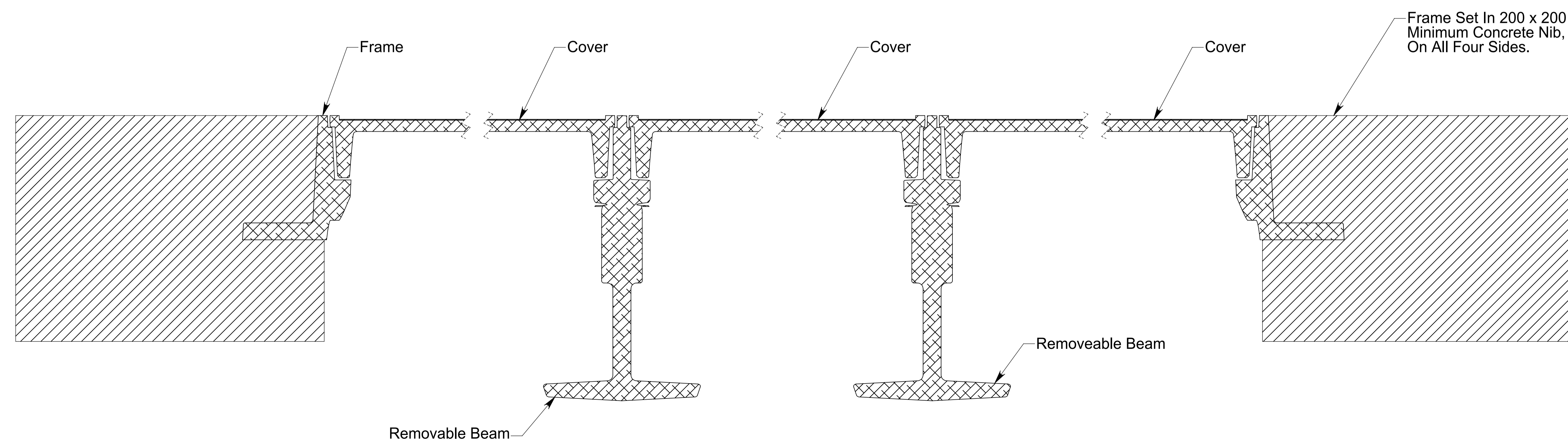
Issue:	Issued By:	Chkd By:	Appvd By:	Date:
A	db			21-03-16
Released for Information				



**Cover Set In Ground,
Set In Concrete Nib & Asphalt**



Typical Cover Bolting Down Section C-C



Typical Installation Section B-B

Frame Set In 200 x 200
Minimum Concrete Nib,
On All Four Sides.

Refer Sika Installation Guide

CLIENT

PROJECT:
**Aluminium Security
Access Cover Set
Bolted 600 x 1800**

To Class D 210kN Loads
To AS 3996:2006

TITLE:
**Bolted Cover Set
600 x 1800 Solid Top**



PO Box 58-491, Greenmount
Auckland, New Zealand.
Phone: +64 +9 274 5929
Fax: +64 +9 273 9509
Email: info@sikatech.co.nz
Website: www.sikatech.co.nz

COPYRIGHT RESERVED ©
THIS INFORMATION IS HIGHLY CONFIDENTIAL
& IS THE EXCLUSIVE PROPERTY OF
SIKA TECHNOLOGY LIMITED.

Unless Specified:
All Dimensions In Millimeters
Drawn to AS 1100

Drawn By:	db	Date:	21-03-16
Engineer:	DH	Date:	21-03-16
Checked By:		Date:	
Approved By:		Date:	
Drg Size:	A1	Sht:	2
SCALE At A1:	1:5	Of:	2
Drg No:	D210-303-0618-ST-A00		