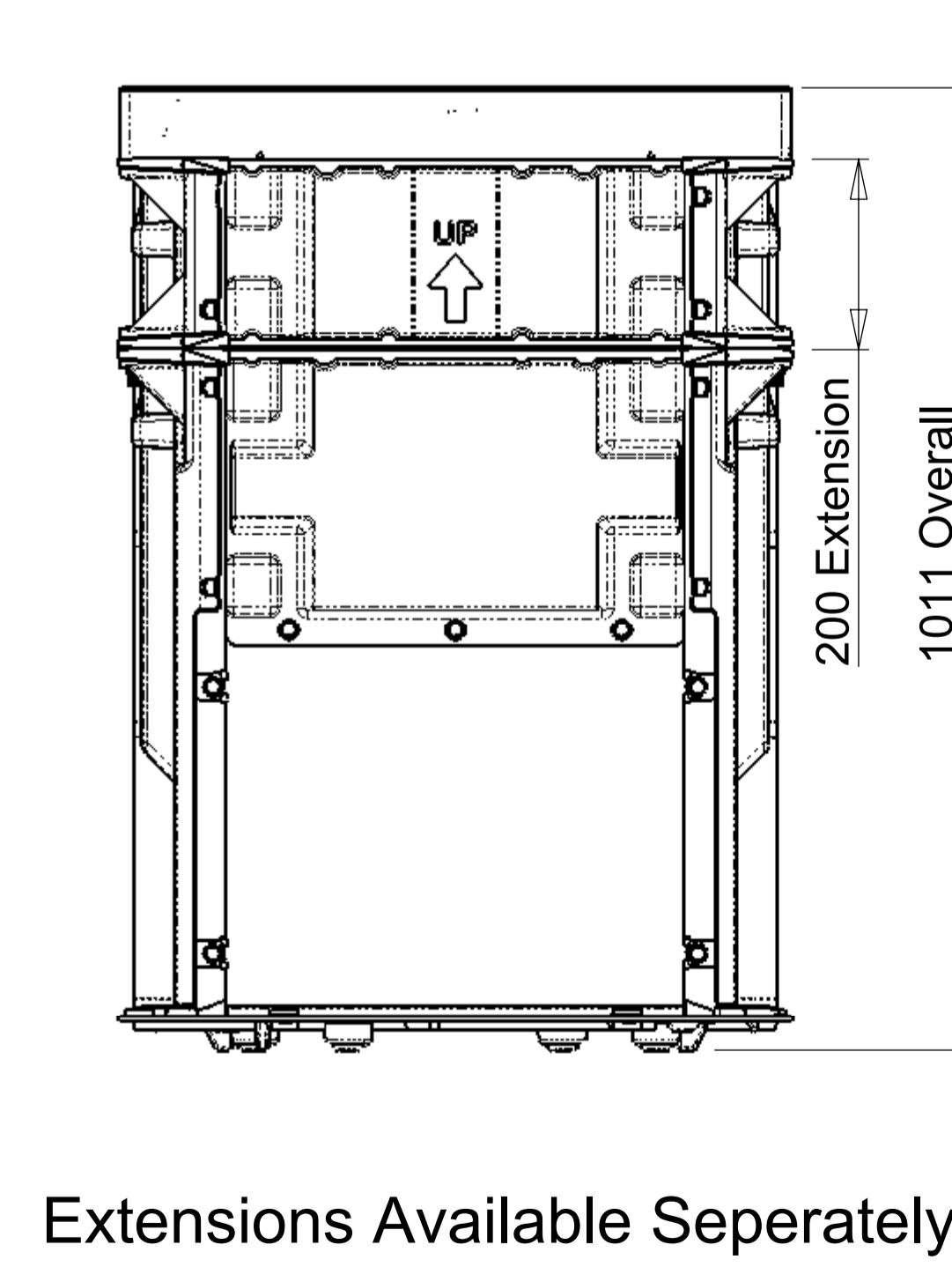
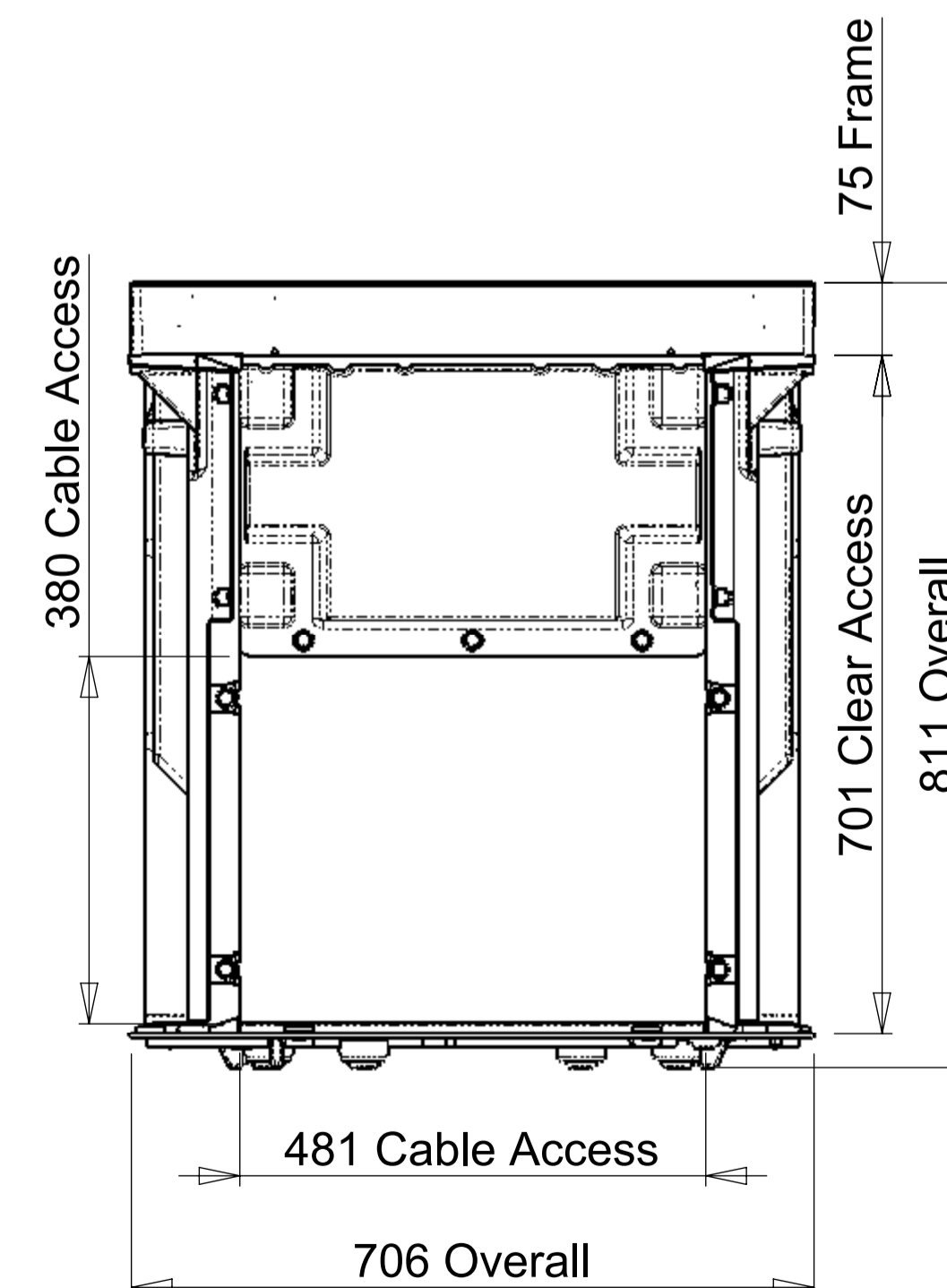
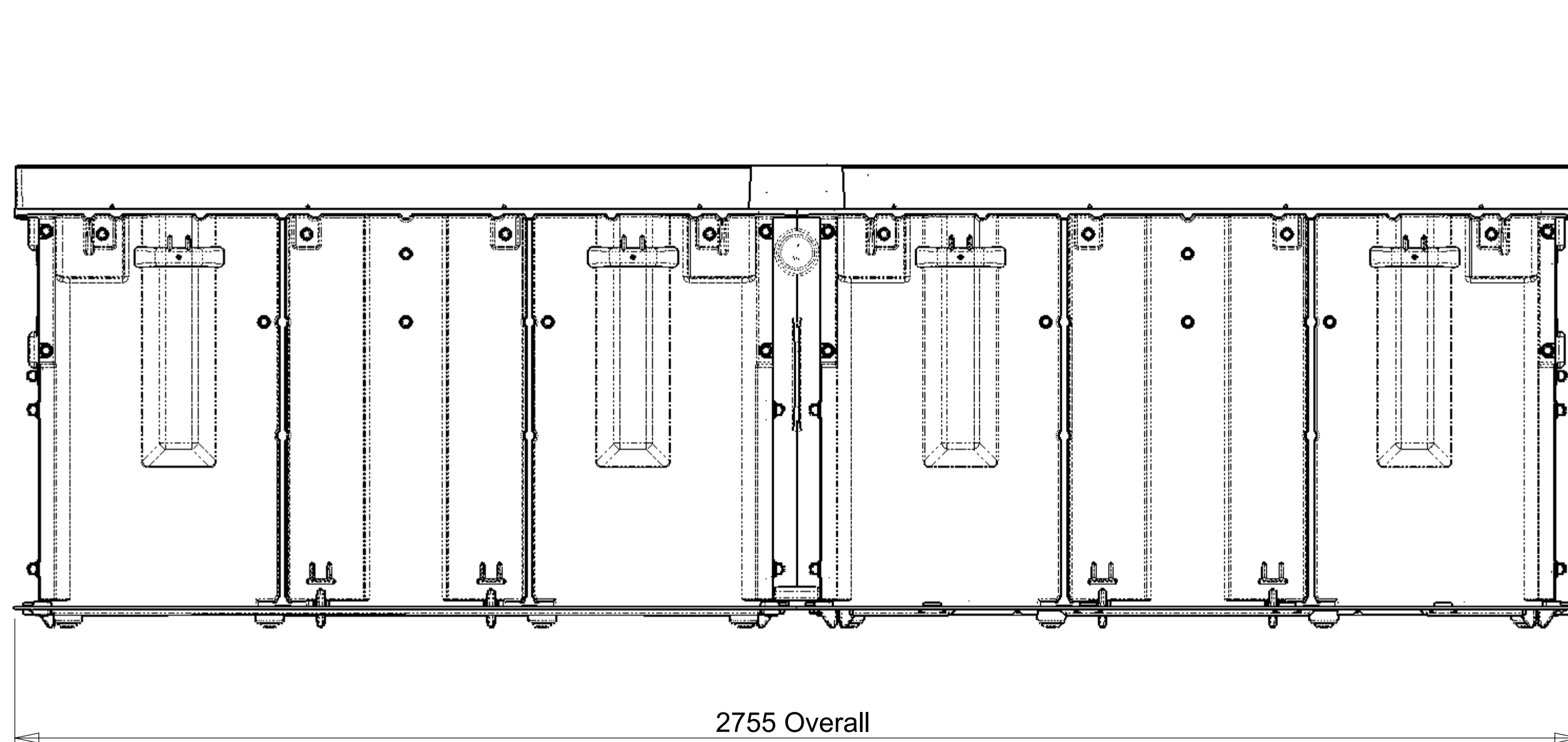


Typical Installation
 Frame Supported By
 Chamber / Extension Flange



Extensions Available Separately

Issue:	Issued By:	Or No:	Appvd By:	Date:
A	db			09-02-15
Released For Information				

CLIENT

PROJECT:
**Aluminium Security
 Access Cover Set &
 Chamber Package**

To Class B 80kN Loads
 To AS 3996 : 2006

TITLE:
**B080kN
 Chamber Package
 2600 x 600 x 700H
 Plus Chamber Extension
 Option
 2600 x 600 x 200H**



PO Box 58-491, Greenmount
 Auckland, New Zealand.
 Phone: +64 09 274 5929
 Fax: +64 09 273 9509
 Email: info@sikatech.co.nz
 Website: www.sikatech.co.nz

COPYRIGHT RESERVED ©

THIS INFORMATION IS HIGHLY CONFIDENTIAL
 & IS THE EXCLUSIVE PROPERTY OF
 SIKATECH LIMITED.

Unless Specified:
 All Dimensions In Millimeters
 Drawn to AS 1100

Drawn By:	db	Date:	09-02-15
Engineer:	DH	Date:	09-02-15
Checked By:		Date:	
Approved By:		Date:	
Drg Size:	A1	Sht:	1
SCALE At A1:	1:7	Of:	1
Drg No:	B080-4C08-2606-S01		

Iss: **A**