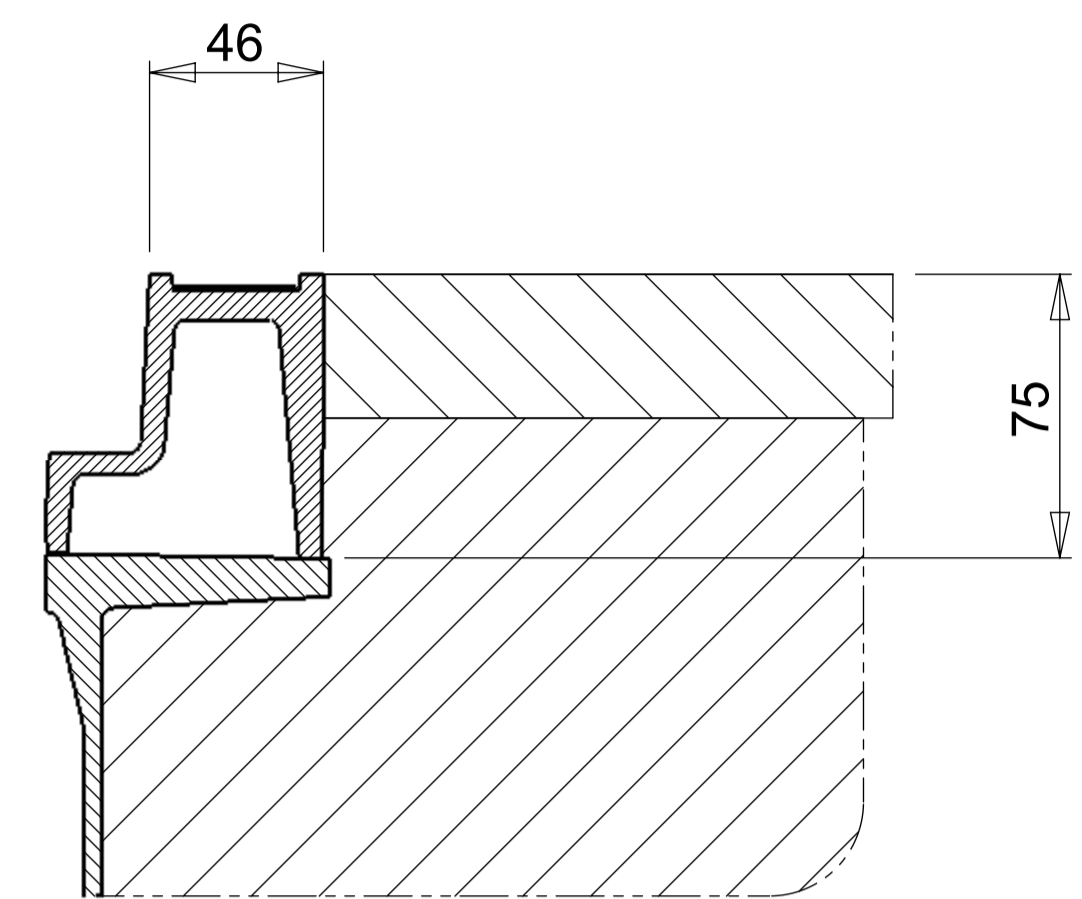
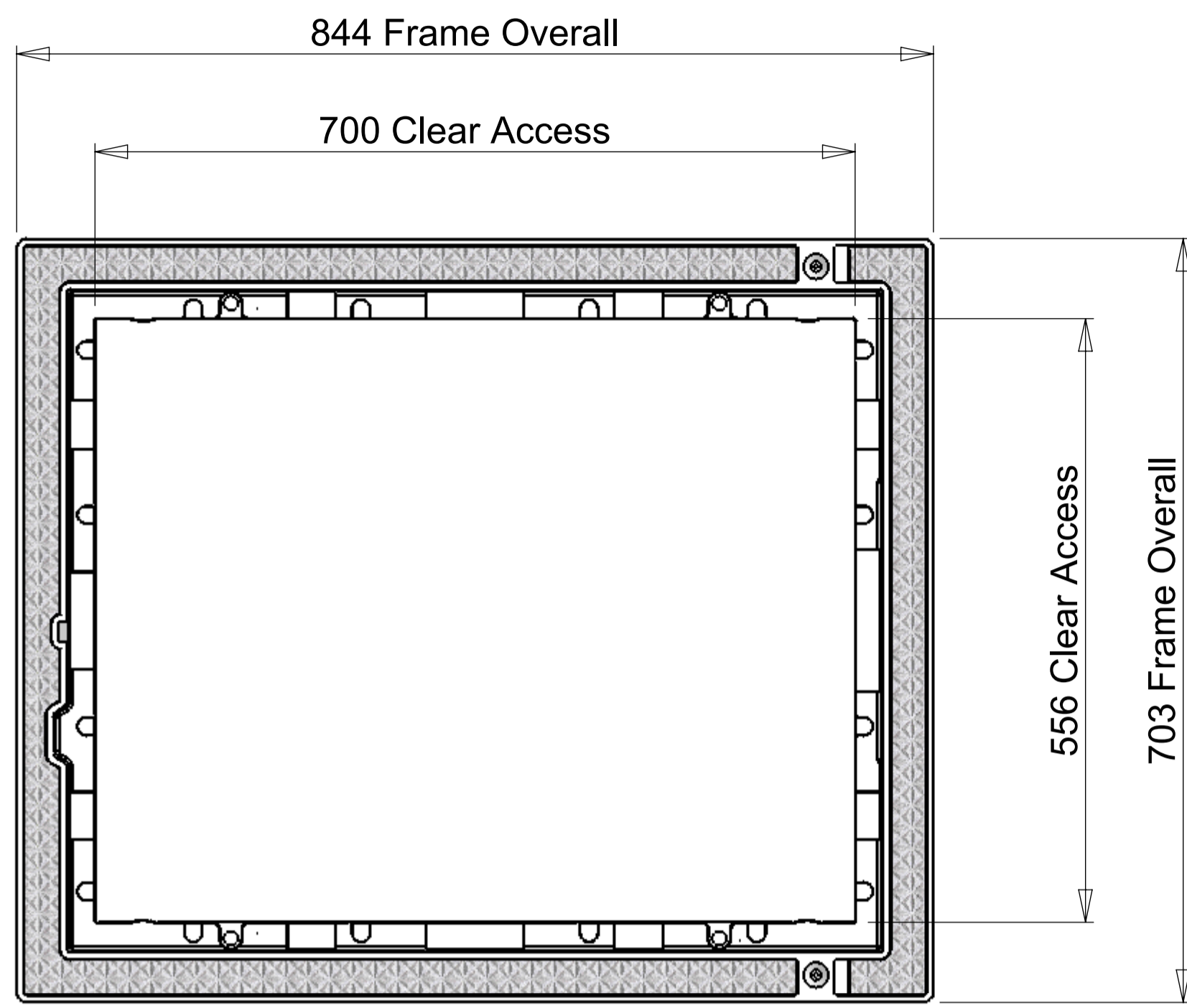
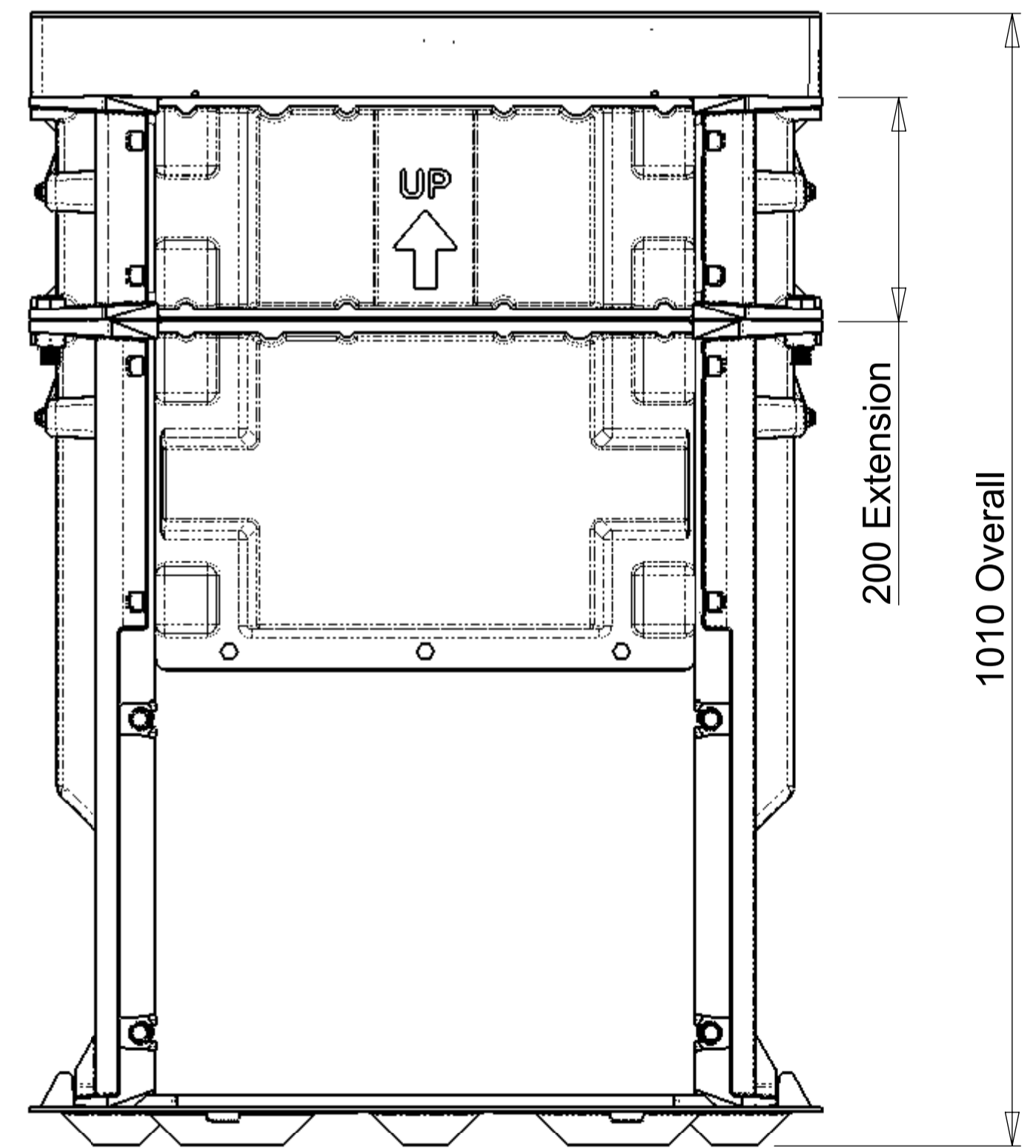
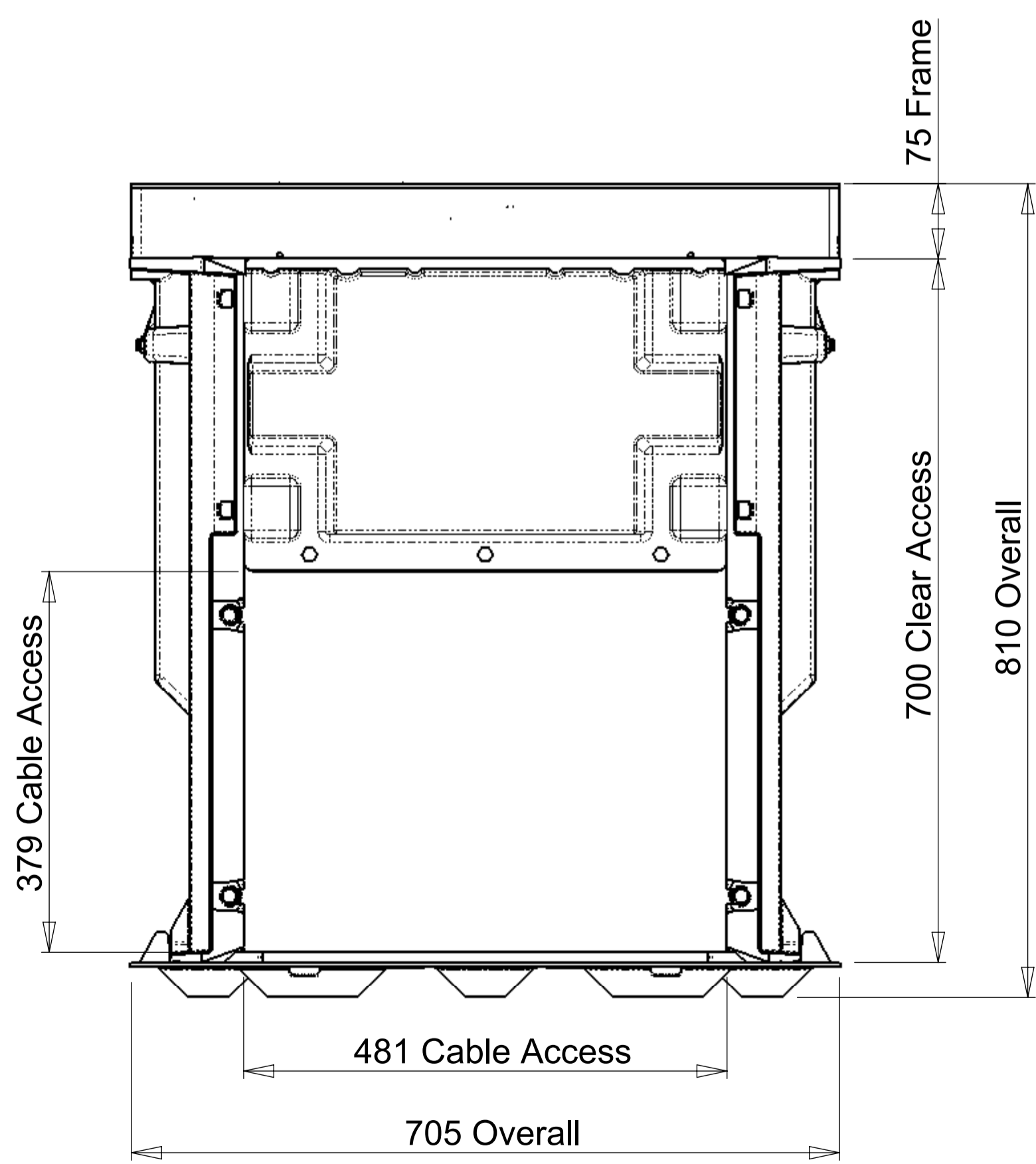
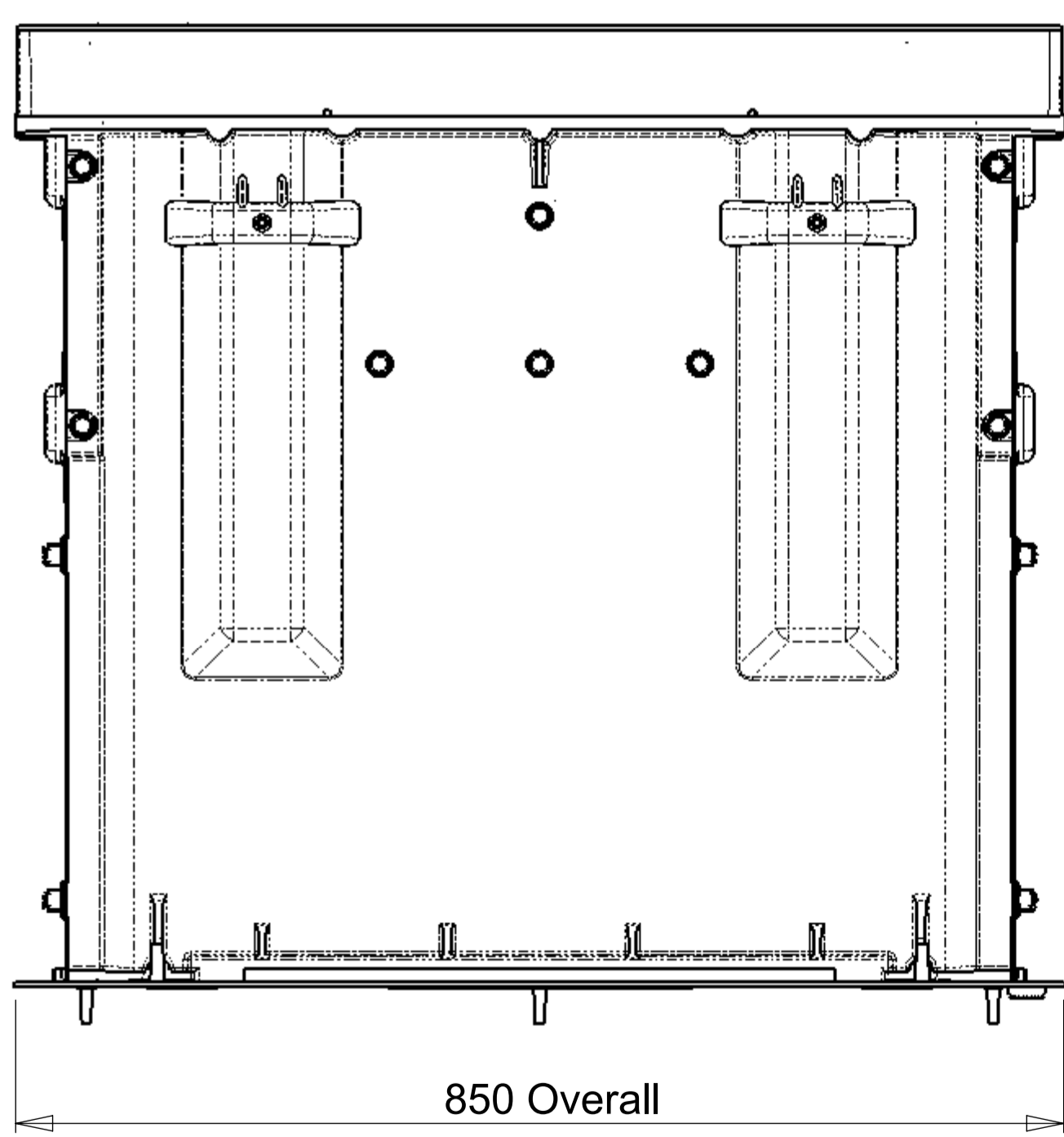


Issue:	Issued By:	Or No:	Appvd By:	Date:
A	db			05-02-15
Released For Information				



Typical Installation
Frame Supported By Chamber / Extension Flange



Extensions Available Separately

CLIENT

PROJECT:
**Aluminium Security
Access Cover Set &
Chamber Package**

To Class B 80kN Loads
To AS 3996 : 2006

TITLE:
**B080kN
Chamber Package
700 x 600 x 700H
Plus Chamber Extension
Option
700 x 600 x 200H**



PO Box 58-491, Greenmount
Auckland, New Zealand.
Phone: +64 09 274 5929
Fax: +64 09 273 9509
Email: info@sikatech.co.nz
Website: www.sikatech.co.nz
COPYRIGHT RESERVED ©

THIS INFORMATION IS HIGHLY CONFIDENTIAL
& IS THE EXCLUSIVE PROPERTY OF
SIKA TECHNOLOGY LIMITED.

Unless Specified:
All Dimensions In Millimeters
Drawn to AS 1100

Drawn By:	db	Date:	05-02-15
Engineer:	DH	Date:	05-02-15
Checked By:		Date:	
Approved By:		Date:	
Drg Size:	A1	Sht:	1
SCALE At A1:	1:5	Of:	1
			A

Drg No:
B080-4C08-0706-S01