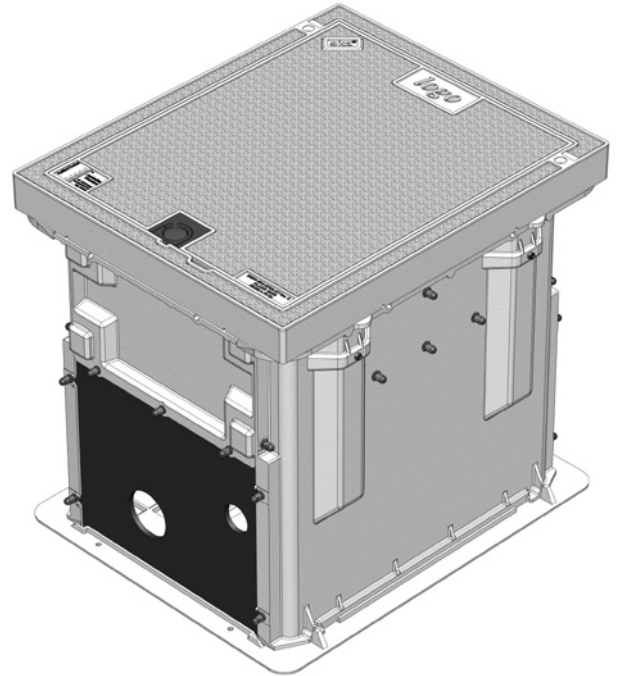
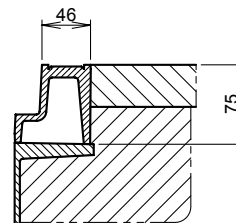
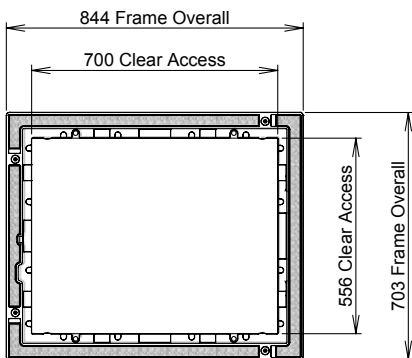


## CLASS B CHAMBER AND COVER SET PACKAGE 700 X 600 X 700H

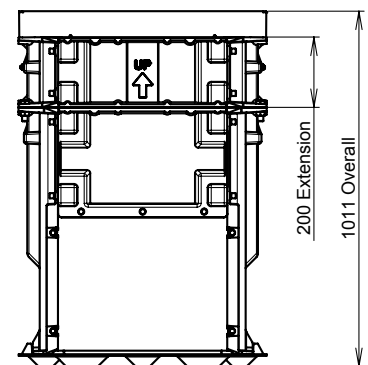
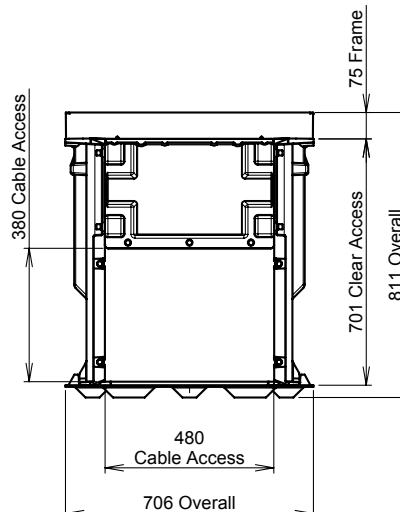
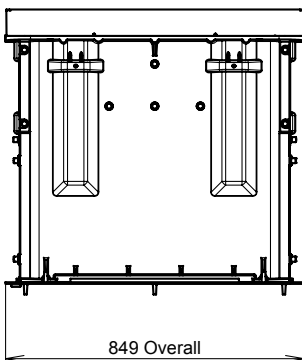
Dimensions:	700 X 600 x 700
Standard:	AS 3996-2006
Design Load:	Class B80kN
Weight:	Cover 18 kg; Frame 11 kg; Chamber 45 kg
Security:	Lock Block, Key Lifter Required for Operation
Product Code:	B080 4C08 0706 ST



<b>700</b> LONG	<b>600</b> WIDE	<b>700</b> HIGH	<b>AS</b>	<b>CLASS B</b>	<b>80</b> kN
--------------------	--------------------	--------------------	-----------	----------------	-----------------



Typical Installation  
Frame Supported by  
Chamber / Extension Flange



Extensions Available Separately