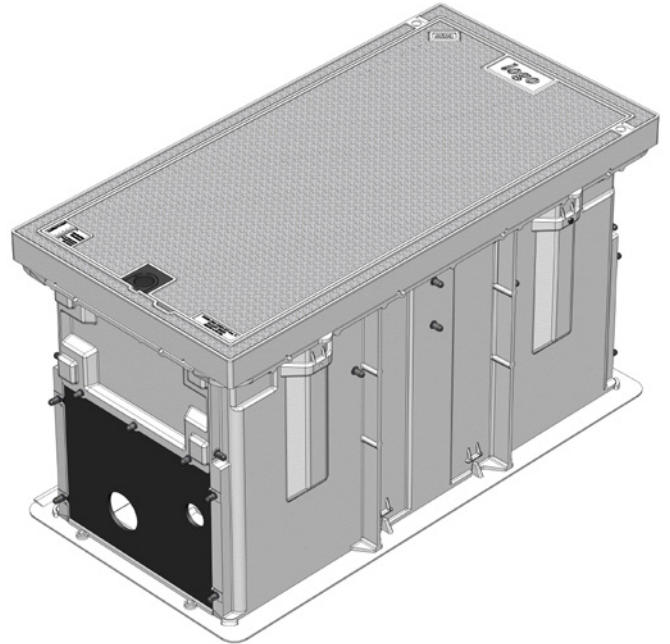
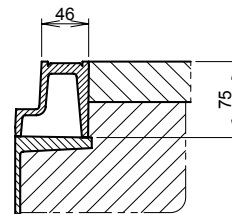
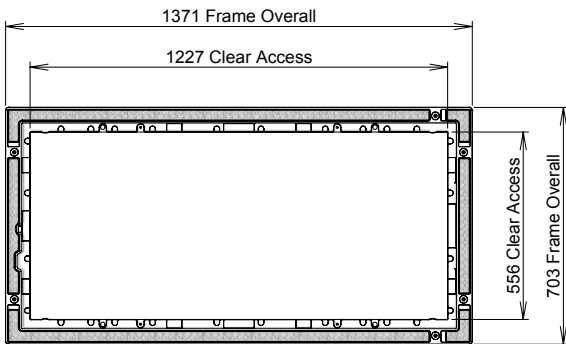


## CLASS B CHAMBER AND COVER SET PACKAGE 1200 X 600 X 700H

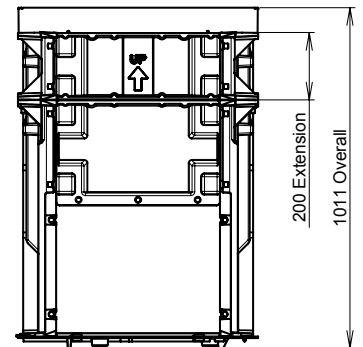
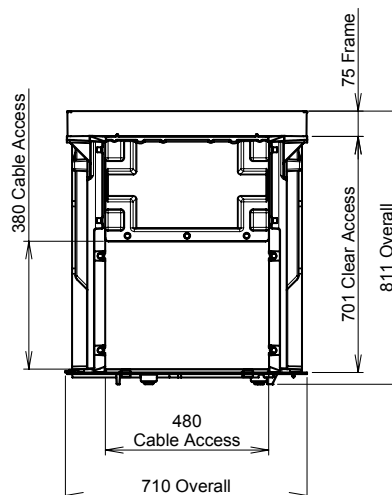
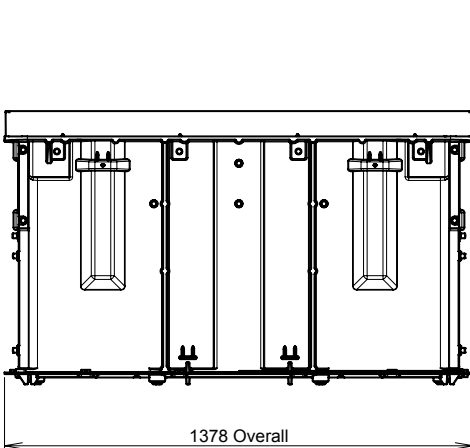
**Dimensions:** 1200 X 600 x 700  
**Standard:** AS 3996-2006  
**Design Load:** Class B80kN  
**Weight:** Cover 30 kg; Frame 16 kg; Chamber 71 kg  
**Security:** Lock Block, Key Lifter Required for Operation  
**Product Code:** B080 4C08 1206 ST



<b>1200</b> LONG	<b>600</b> WIDE	<b>700</b> HIGH		<b>AS</b>	CLASS B	<b>80</b> kN
---------------------	--------------------	--------------------	--	-----------	---------	-----------------



Typical Installation  
Frame Supported by  
Chamber / Extension Flange



Extensions Available Separately