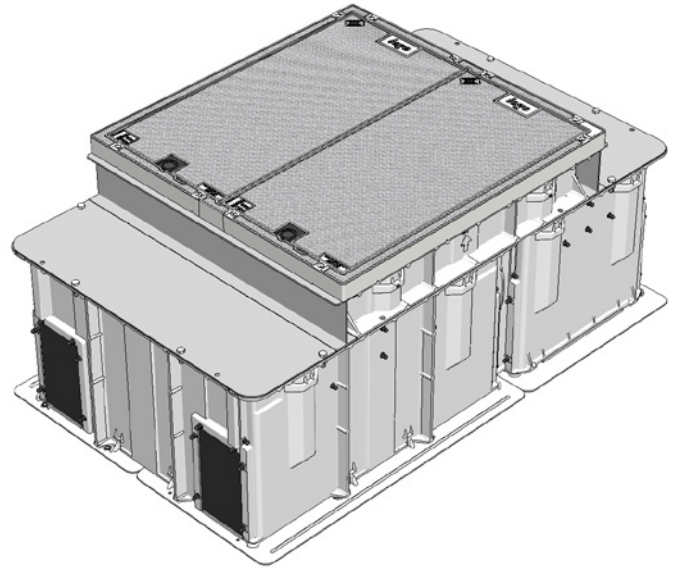
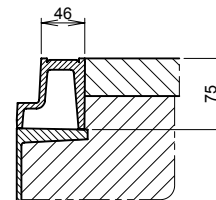
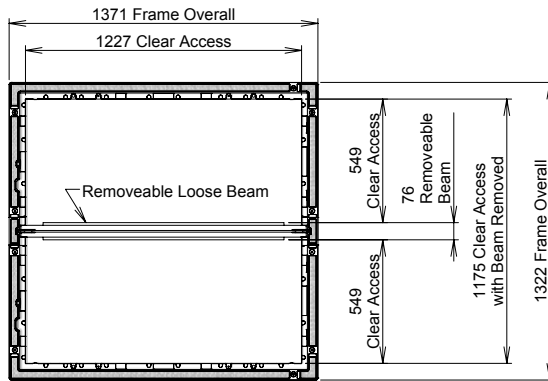


CLASS B CHAMBER AND COVER SET PACKAGE 2100 X 1200 X 700H PARTIAL ACCESS

- Dimensions:** 2100 X 1200 x 700
- Standard:** AS 3996-2006
- Design Load:** Class B80kN
- Weight:** Covers 30 kg ea Frame 20 kg Beam 10 kg; Chamber 165 kg
- Security:** Lock Block, Key Lifter Required for Operation
- Product Code:** B080 4C08 2112 SPP



2100 LONG	1200 WIDE	700 HIGH	AS	CLASS B	80 KN
---------------------	---------------------	--------------------	-----------	---------	-----------------



Typical Installation
Frame Supported by Chamber / Extension Flange

