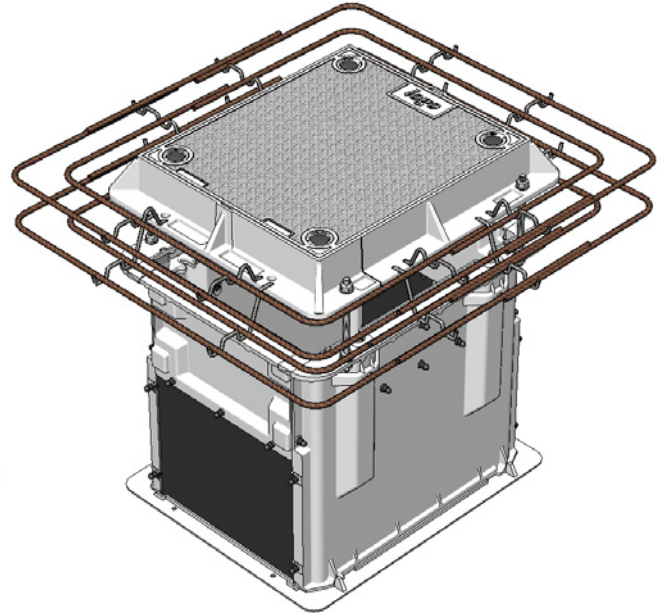


## CLASS D CHAMBER AND COVER SET PACKAGE 700 X 600 X 700H

Dimensions:	700 X 600 x 700
Standard:	AS 3996-2006
Design Load:	Class D210kN
Weight:	Cover 25 kg; Frame 22 kg; Chamber 45 kg
Security:	Bolting Torque Coupling Req'd for Operation
Product Code:	D210 308 070607 ST



<b>700</b> LONG	<b>600</b> WIDE	<b>700</b> HIGH		<b>AS</b>	CLASS D	<b>210</b> KN
--------------------	--------------------	--------------------	--	-----------	---------	------------------

