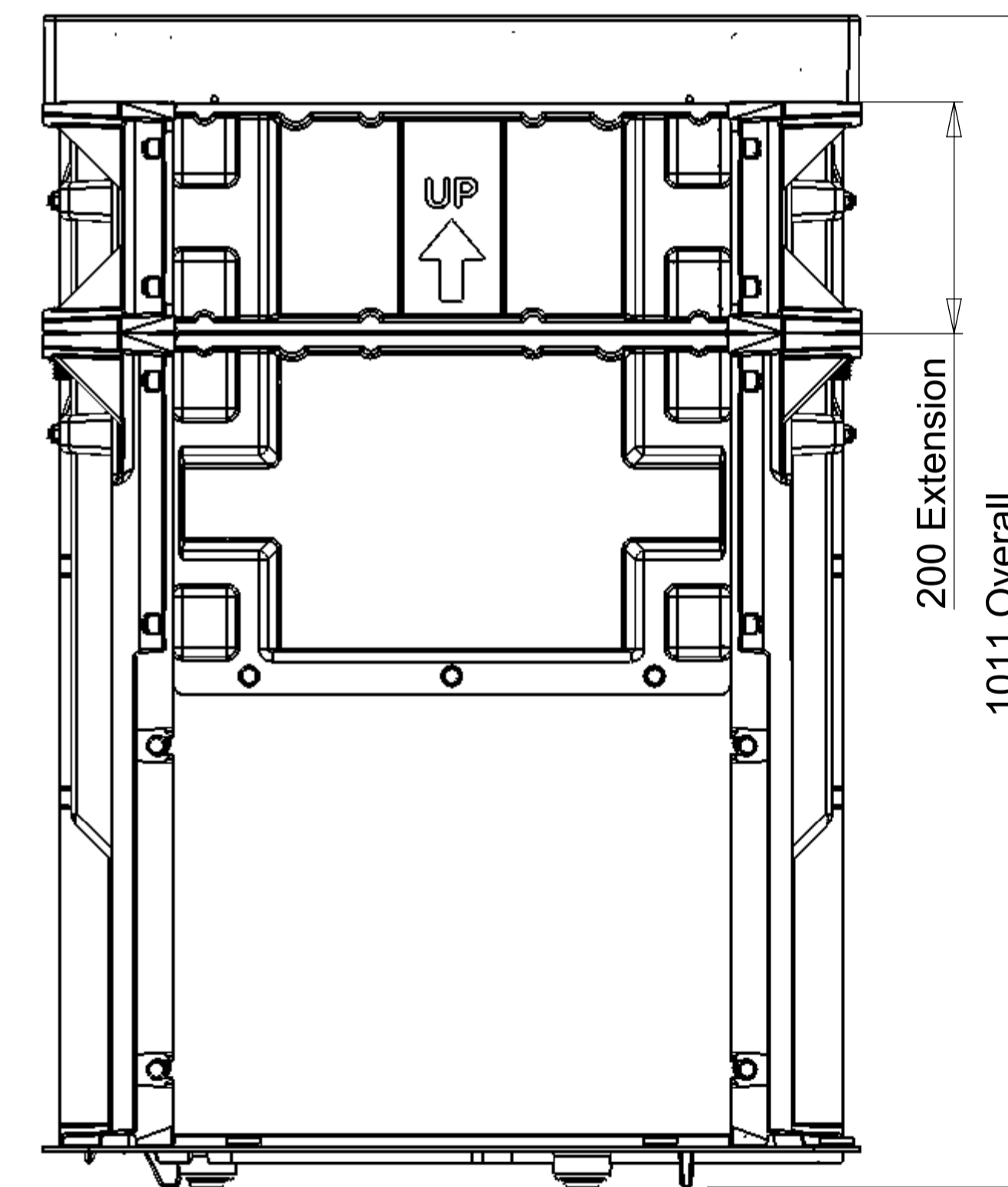
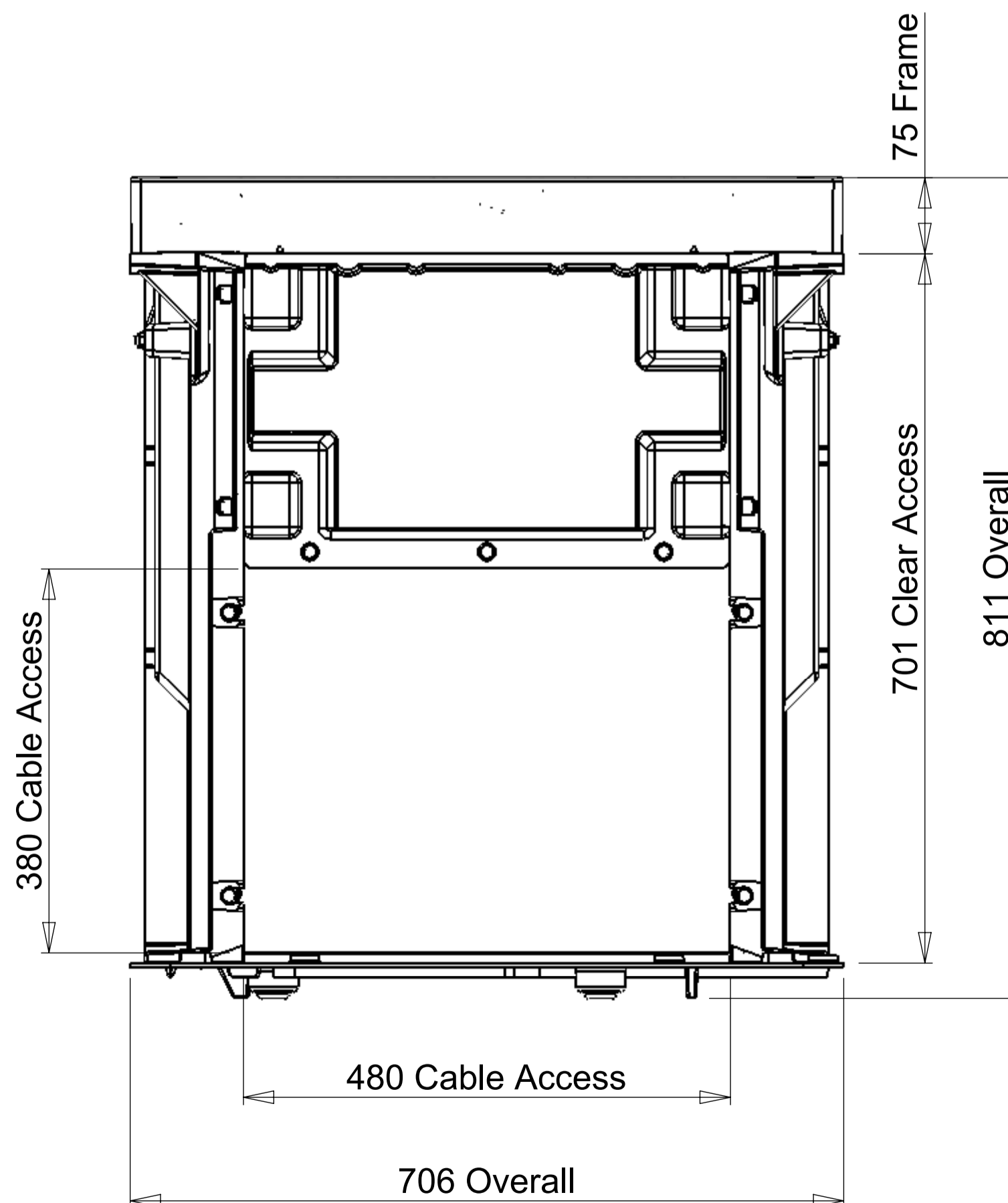
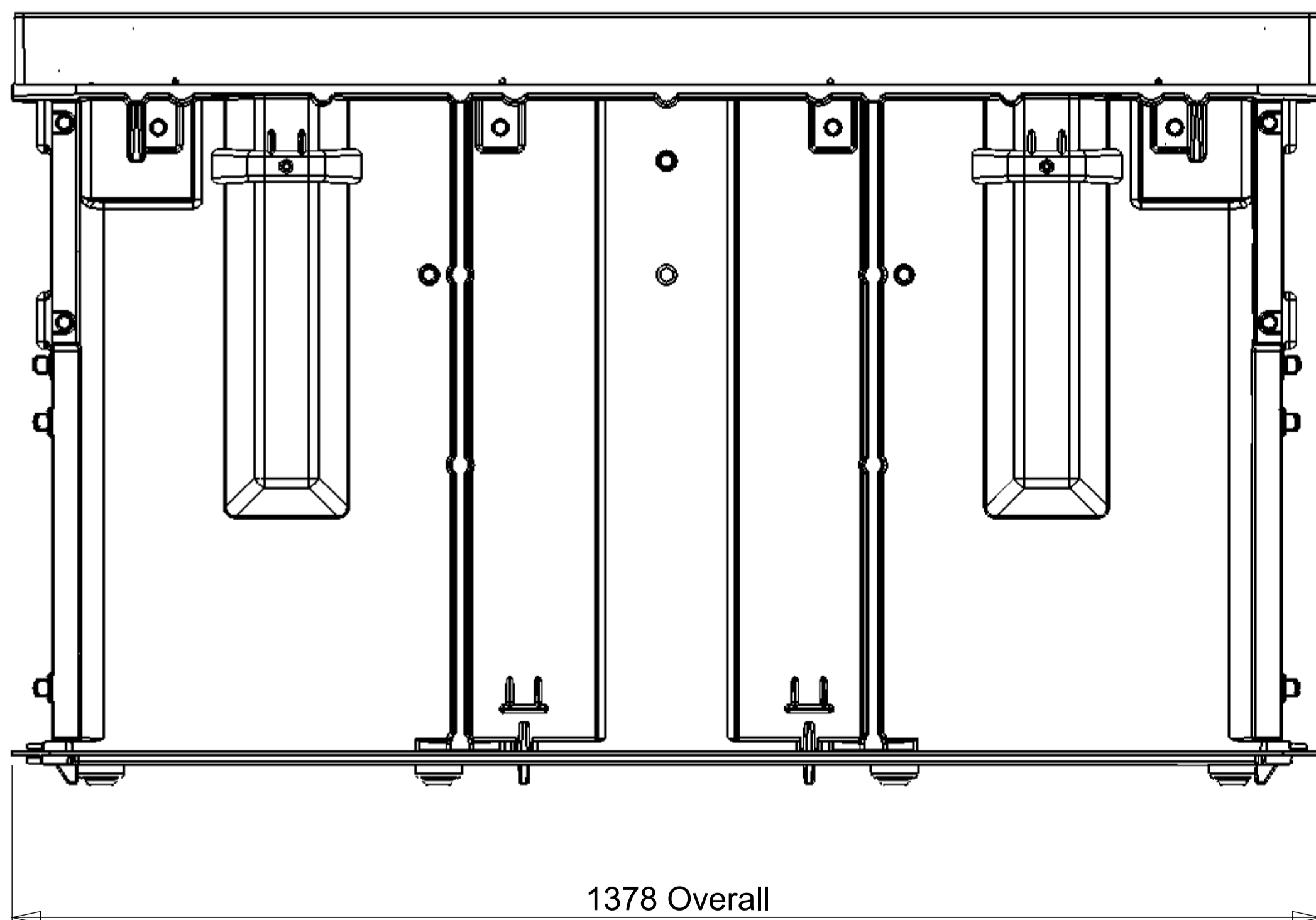


Typical Installation

Frame Supported By
Chamber / Extension Flange



Extensions Available Separately

Issue:	Issued By:	Or No:	Appvd By:	Date:
A	db			05-10-12
Released For Information				

CLIENT

PROJECT:
**Aluminium Security
Access Cover Set &
Chamber Package**

To Class B 80kN Loads
To AS 3996 : 2006

TITLE:
**B080kN
Chamber Package
1200 x 600 x 700H
Plus Chamber Extension
Option
1200 x 600 x 200H**



PO Box 58-491, Greenmount
Auckland, New Zealand.
Phone: +64 09 274 5929
Fax: +64 09 273 9509
Email: info@sikatech.co.nz
Website: www.sikatech.co.nz

COPYRIGHT RESERVED ©

THIS INFORMATION IS HIGHLY CONFIDENTIAL
& IS THE EXCLUSIVE PROPERTY OF
SIKA TECHNOLOGY LIMITED.

Unless Specified:
All Dimensions In Millimeters
Drawn to AS 1100

Drawn By:	db	Date:	05-10-12
Engineer:	DH	Date:	05-10-12
Checked By:		Date:	
Approved By:		Date:	

Drg Size: A1 Sht: 1 Iss:
SCALE At A1: 1:5 Of: 1 A

Drg No:
B080-4C08-1206-S01