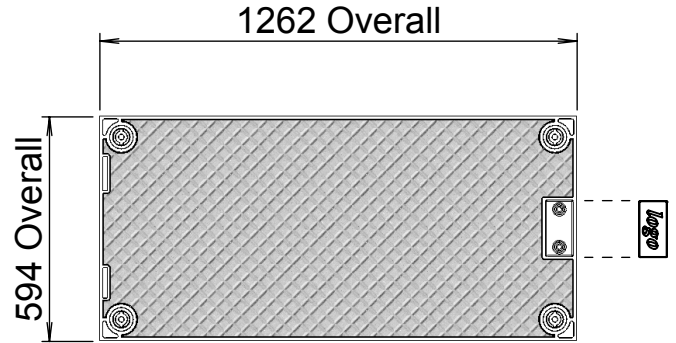
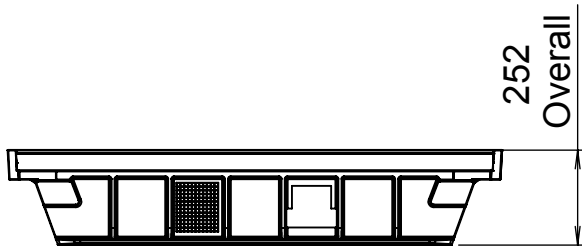


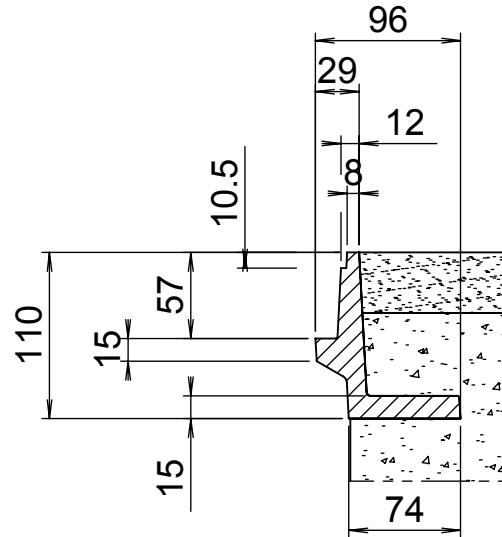
**Frame Assembly**



**Cover - 2 Required**



**Loose Beam**



**Typ Frame Section**