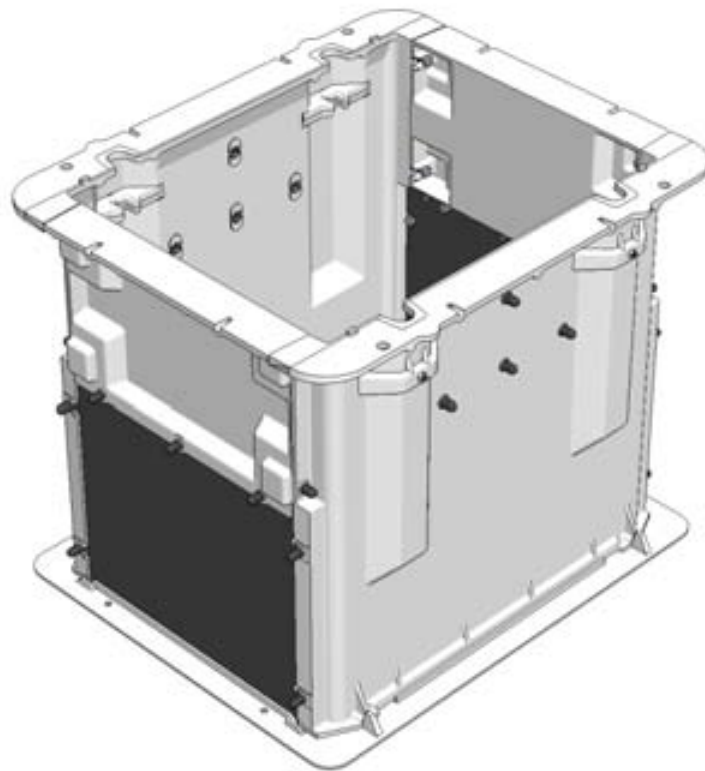




## Modular Aluminium Jointing Chamber 700 x 600 x 700 / 900H

# ASSEMBLY INSTRUCTIONS

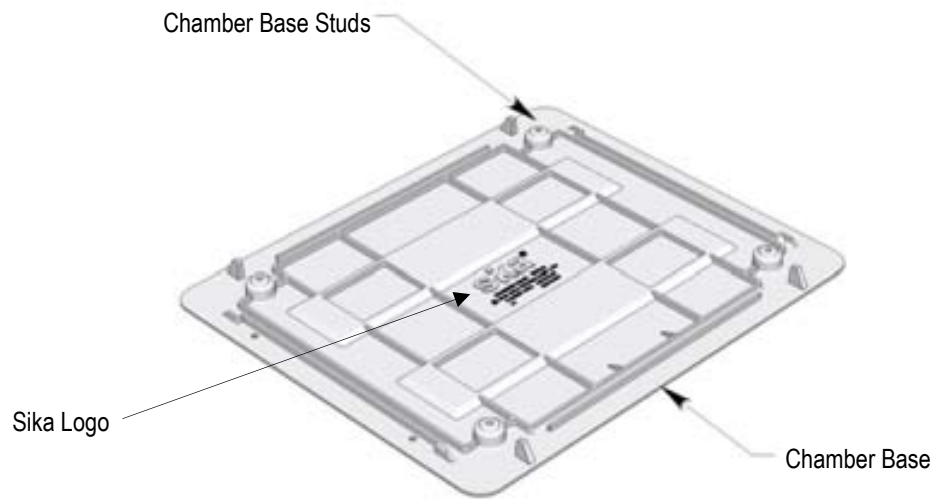
**Chamber Rating: CLASS D - 210kN - AS3996:2006**  
**Sika 'Chambers' are used for both Pathway & Roadway Installations**



Chamber 700 x 600 x 700H

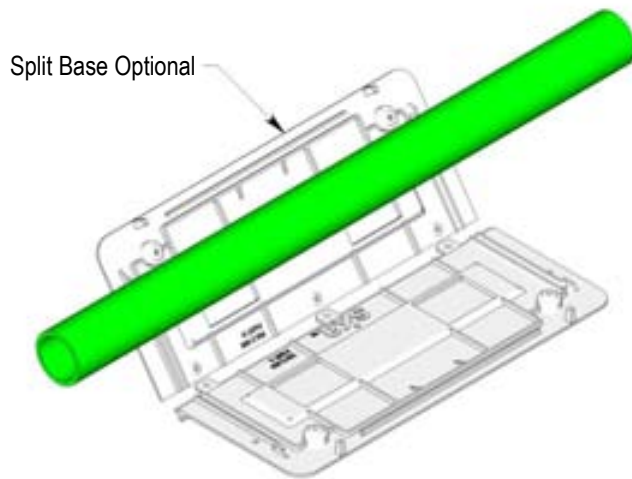


1. Place the **chamber base** on a flat area adjoining the pit or on a prepared bed of imported material in the excavated pit. Note the Sika logo will be face up.



**Fig 1**

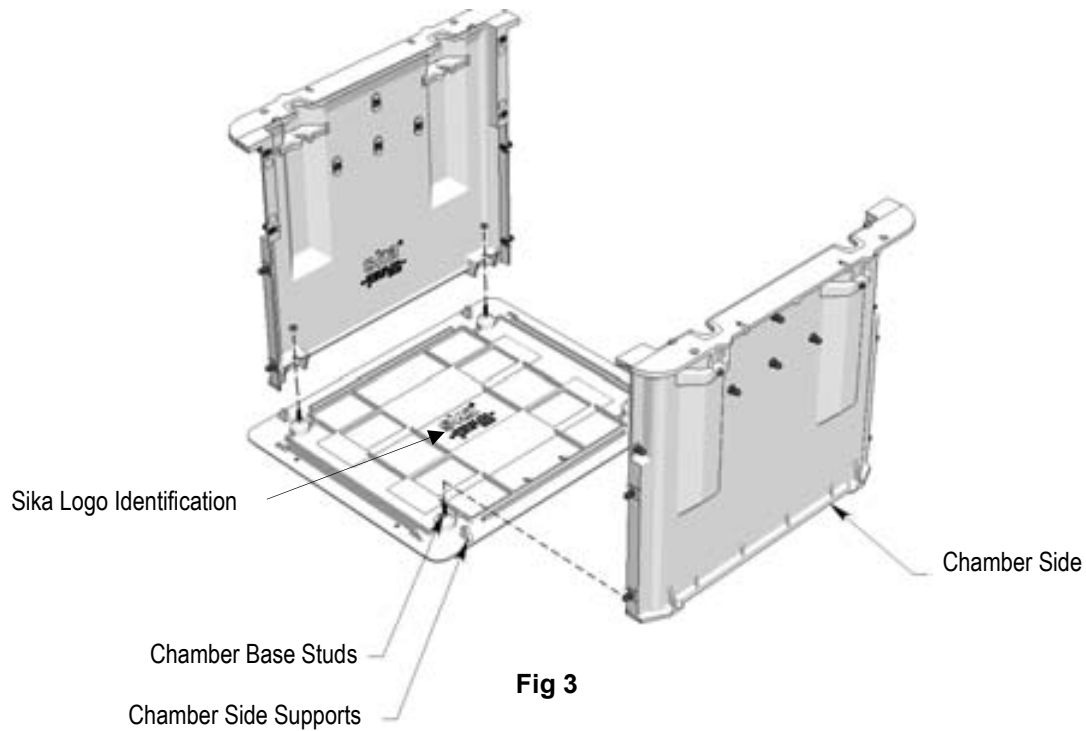
2. Where there is existing ducting and minimal side excavation is required use a **split base**. Ref Fig 2



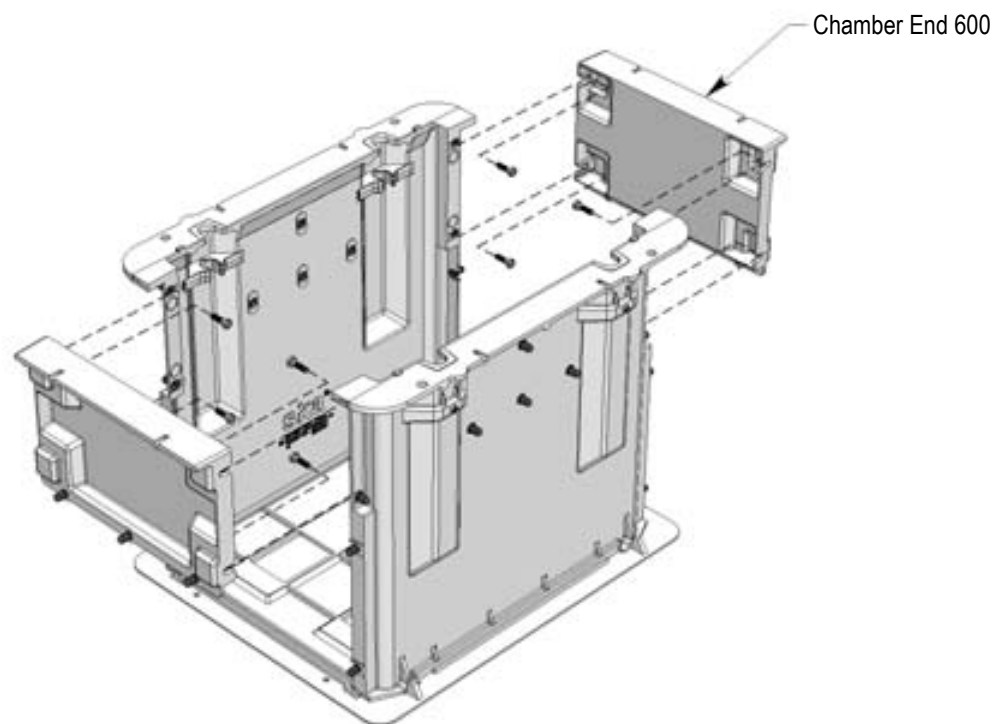
**Fig 2**

3. Remove the plastic tubes protecting the 4 – M10 studs protruding from the **chamber base** and place the two **chamber sides** into place.

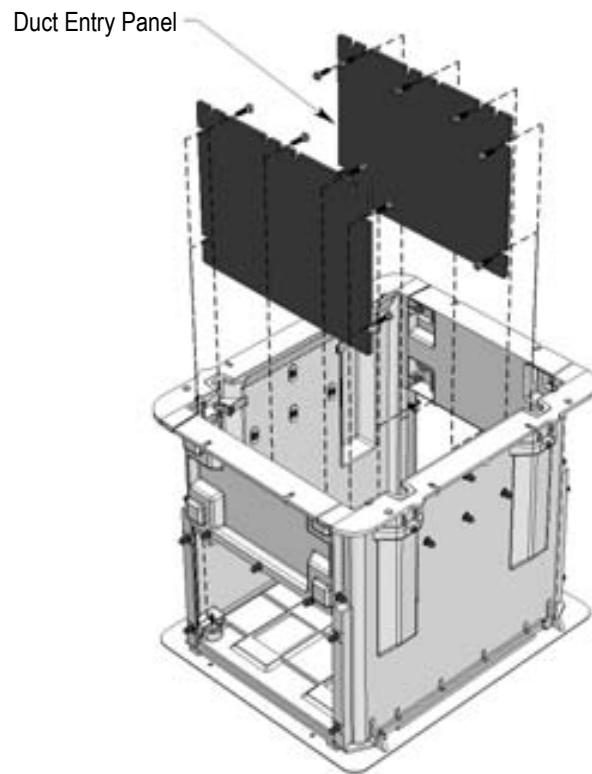
Insert the two **chamber sides** into the appropriately marked positions on the **chamber base**. **Chamber side supports** cast into the **chamber base** will hold the **chamber sides** vertical until the 4 – M10 nuts and washers are applied to hold them down. *(Do not tighten these yet.)*



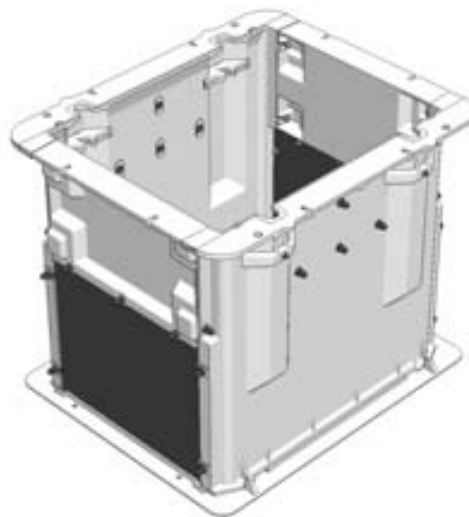
4. Add the two **chamber ends 600** and secure them with the 8 – M10 x 30 bolts and washers. *(Now tighten all the aforementioned fixings.)*



5. Apply the two polypropylene **duct entry panels** to each end recess and secure each one with 7 - M10 x 30 bolts and washers supplied.



**Fig 5a**



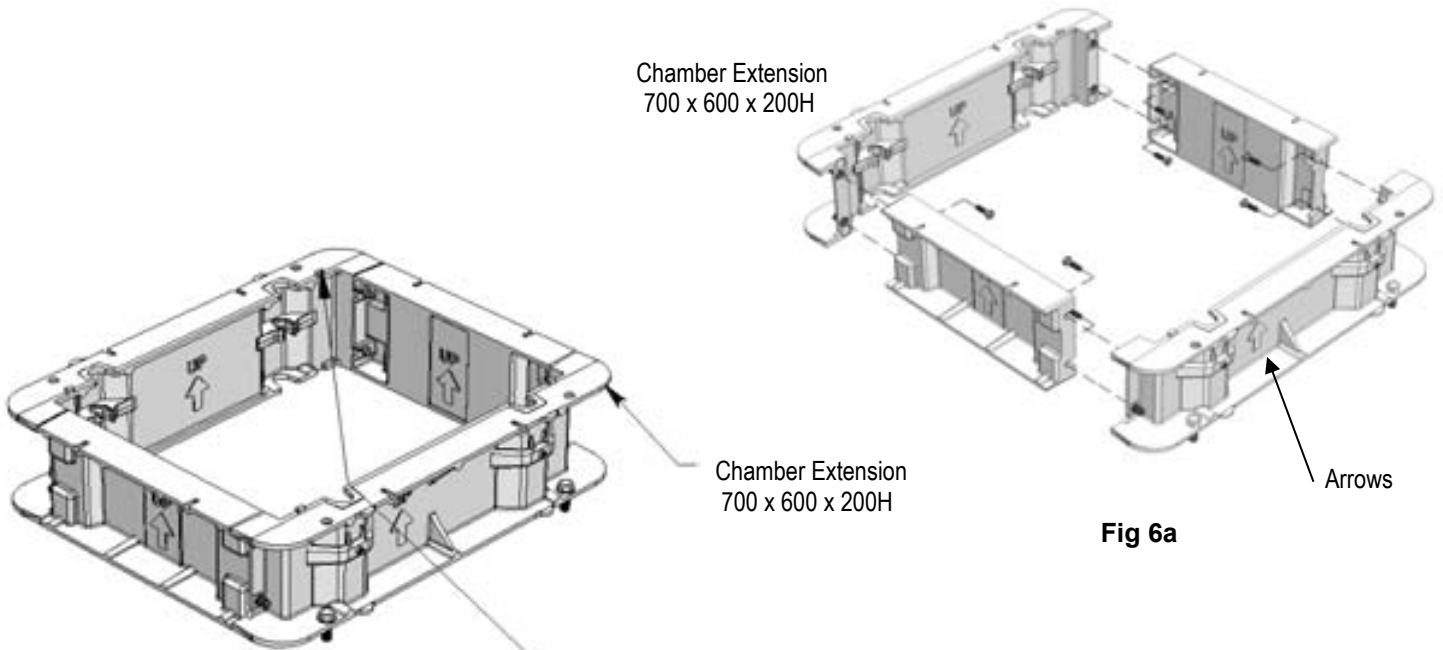
**Fig 5b**

**Chamber 700 x 600 x 700H**

## Chamber Extension 200mm

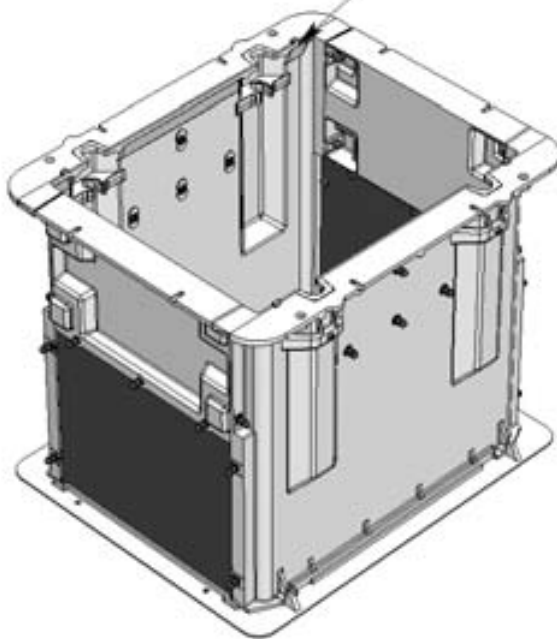
6. Assemble **chamber extension** as per Fig. 6a using 8 - M10 x 30 bolts and washers supplied. Place on top of chamber flange. See arrows for right way up.

Chamber Extension  
700 x 600 x 200H



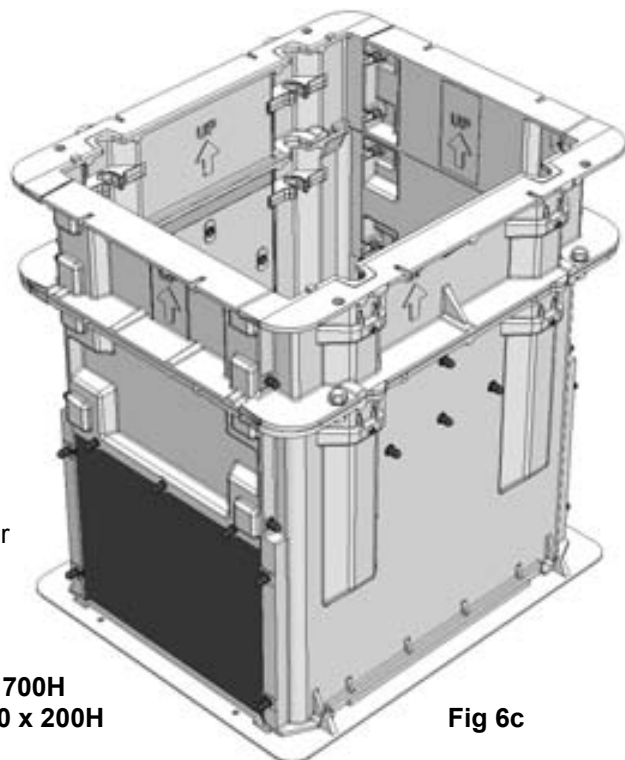
Locator Lug will Self Align Extension

Chamber 700 x 600 x 700H



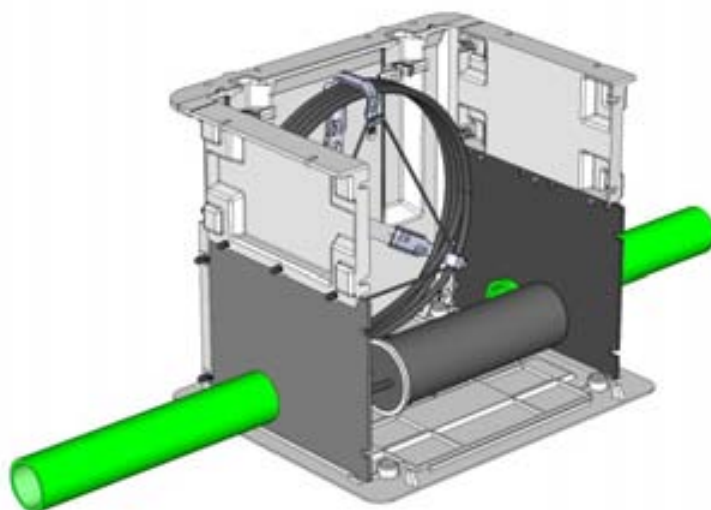
Bolt assembled **chamber extension** to the chamber with the 4 - M16x40 bolts, nuts and spring washers supplied.

**Chamber 700 x 600 x 700H  
& Extension 700 x 600 x 200H**

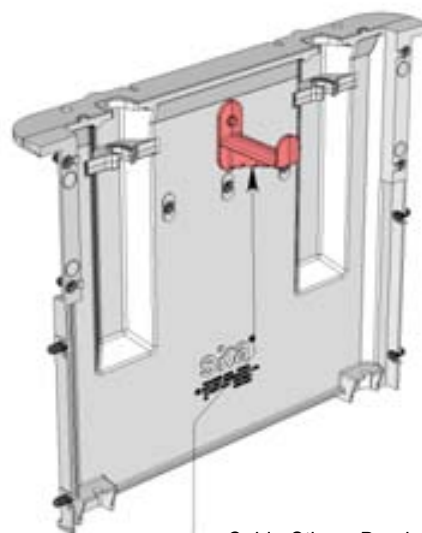
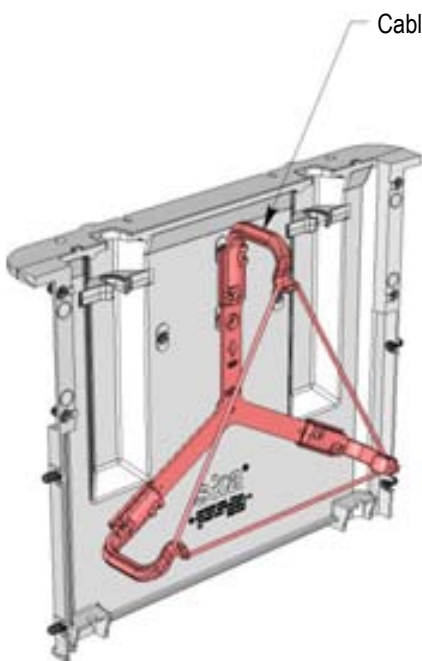


# Chamber Accessories

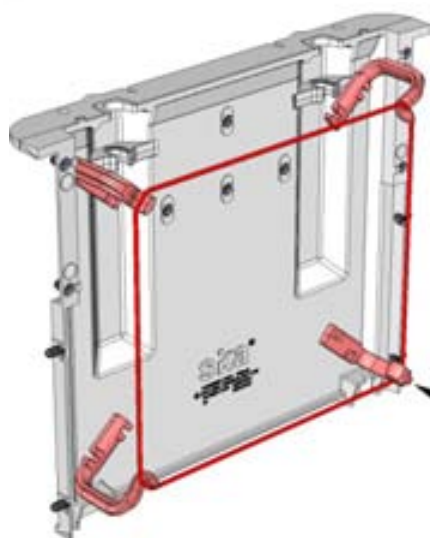
## Cable Support Options



Cable Management Bracket



Cable Stirrup Bracket  
Option 145 mm Long  
Option 250 mm Long



'J' Brackets